



Electrically held lighting contactor, Contactor amp rating 30A, 0 N.C. / 3 N.O.  
Poles, 600VAC 60HZ coil, Combination type, 30A/250V fusible disconnect,  
Enclosure NEMA type 12, Dust/drip proof for indoors

|   |   |
|---|---|
| product brand name  | Class LE  |
| design of the product   | Electrically held lighting contactor with fusible disconnect switch |
| special product feature   | Compact design; Finger safe control terminals                       |
| <b>General technical data</b>   |   |
| weight [lb]   | 39 lb   |
| Height x Width x Depth [in]   | 24 × 11 × 8 in  |
| touch protection against electrical shock                               | NA for enclosed products  |
| installation altitude [ft] at height above sea level maximum            | 6560 ft   |
| ambient temperature [°F]  |   |
| • during storage  | -67 ... +176 °F   |
| • during operation  | 32 ... 104 °F   |
| ambient temperature   |   |
| • during storage  | -55 ... +80 °C  |
| • during operation  | 0 ... 40 °C   |
| country of origin   | USA   |
| <b>Contactors</b>   |   |
| size of contactor   | 30 Amp  |
| number of NO contacts for main contacts                                 | 3   |
| number of NC contacts for main contacts                                 | 0   |
| operating voltage for main current circuit at AC at 60 Hz maximum       | 240 V   |
| mechanical service life (operating cycles) of the main contacts typical | 10000000  |
| contact rating of the main contacts of lighting contactor               |   |
| • with electronic ballast [LED driver] (1 pole per 1 phase) rated value | 16A @120V / 8A @277V 1p 1ph   |
| • at tungsten (1 pole per 1 phase) rated value                          | 30A @277V 1p 1ph  |
| • at tungsten (2 poles per 1 phase) rated value                         | 30A @480V 2p 1ph  |
| • at tungsten (3 poles per 3 phases) rated value                        | 30A @480V 3p 3ph  |
| • at ballast (1 pole per 1 phase) rated value                           | 30A @347V 1p 1ph  |
| • at ballast (2 poles per 1 phase) rated value                          | 30A @600V 2p 1ph  |
| • at ballast (3 poles per 3 phases) rated value                         | 30A @600V 3p 3ph  |
| • at resistive load (1 pole per 1 phase) rated value                    | 30A @600V 1p 1ph  |
| • at resistive load (2 poles per 1 phase) rated value                   | 30A @600V 2p 1ph  |
| • at resistive load (3 poles per 3 phases) rated value                  | 30A @600V 3p 3ph  |
| <b>Auxiliary contact</b>  |   |
| number of NC contacts at contactor for auxiliary contacts               | 1   |
| number of NO contacts at contactor for auxiliary contacts               | 1   |
| number of total auxiliary contacts maximum                              | 4   |
| contact rating of auxiliary contacts of contactor according to UL       | A600 / Q600   |
| <b>Coil</b>   |   |

|  |   |
|--|---|
| type of voltage of the control supply voltage  | AC                                      |
| control supply voltage   |   |
| • at AC at 60 Hz rated value   | 600 V                                   |
| apparent pick-up power of magnet coil at AC  | 87 VA                                   |
| apparent holding power of magnet coil at AC  | 9.4 VA                                  |
| operating range factor control supply voltage rated value of magnet coil   | 0.85 ... 1.1                            |
| <b>Disconnect Switch</b>   |   |
| response value of switch disconnecter  | 30A / 250V                              |
| design of fuse holder  | Class R fuse clips                      |
| operating class of the fuse link   | Class R                                 |
| <b>Enclosure</b>   |   |
| degree of protection NEMA rating of the enclosure  | NEMA 12 enclosure                       |
| design of the housing  | dustproof and drip-proof for indoor use |
| <b>Mounting/wiring</b>   |   |
| mounting position  | Vertical                                |
| fastening method   | Surface mounting and installation       |
| type of electrical connection for supply voltage line-side   | Box lug                                 |
| tightening torque [lbf-in] for supply  | 35 ... 35 lbf-in                        |
| type of connectable conductor cross-sections at line-side for AWG cables single or multi-stranded                        | 1x (14 ... 2 AWG)                       |
| temperature of the conductor for supply maximum permissible  | 75 °C                                   |
| material of the conductor for supply   | AL or CU                                |
| type of electrical connection for load-side outgoing feeder  | Screw-type terminals                    |
| tightening torque [lbf-in] for load-side outgoing feeder   | 18 ... 22 lbf-in                        |
| type of connectable conductor cross-sections for AWG cables for load-side outgoing feeder single or multi-stranded       | 2x (16 ... 12 AWG), 2x (14 ... 8 AWG)   |
| temperature of the conductor for load-side outgoing feeder maximum permissible   | 75 °C                                   |
| material of the conductor for load-side outgoing feeder  | CU                                      |
| type of electrical connection of magnet coil   | Screw-type terminals                    |
| tightening torque [lbf-in] at magnet coil  | 7 ... 10 lbf-in                         |
| type of connectable conductor cross-sections of magnet coil for AWG cables single or multi-stranded                      | 2x (20 ... 16 AWG), 2x (18 ... 14 AWG)  |
| temperature of the conductor at magnet coil maximum permissible  | 75 °C                                   |
| material of the conductor at magnet coil   | CU                                      |
| type of electrical connection at contactor for auxiliary contacts  | Screw-type terminals                    |
| tightening torque [lbf-in] at contactor for auxiliary contacts   | 7 ... 12 lbf-in                         |
| type of connectable conductor cross-sections at contactor for AWG cables for auxiliary contacts single or multi-stranded | 2x (20 ... 16 AWG), 2x (18 ... 14 AWG)  |
| temperature of the conductor at contactor for auxiliary contacts maximum permissible                                     | 75 °C                                   |
| material of the conductor at contactor for auxiliary contacts  | CU                                      |
| <b>Short-circuit current rating</b>  |   |
| design of the fuse link for short-circuit protection of the main circuit required  | 100kA@600V (Class J)                    |
| certificate of suitability   | NEMA ICS 2; UL 508                      |
| <b>Further information</b>   |   |

**Industrial Controls - Product Overview (Catalogs, Brochures,...)**

[www.usa.siemens.com/iccatalog](http://www.usa.siemens.com/iccatalog)

**Industry Mall (Online ordering system)**

<https://mall.industry.siemens.com/mall/en/us/Catalog/product?mlfb=US2:LEFA2C003600B>

**Service&Support (Manuals, Certificates, Characteristics, FAQs,...)**

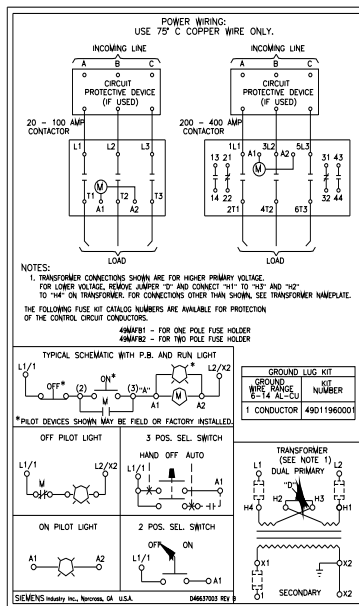
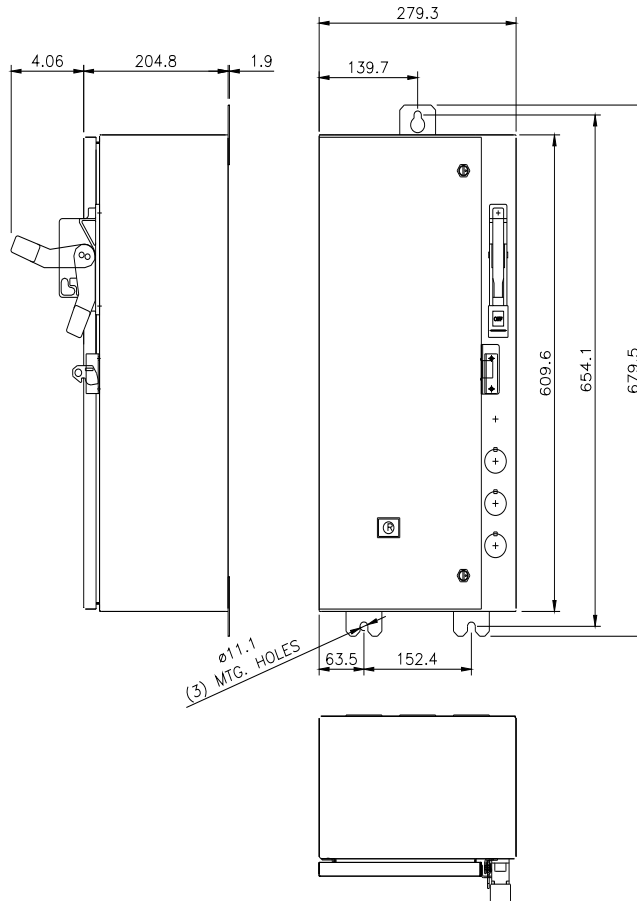
<https://support.industry.siemens.com/cs/US/en/ps/US2:LEFA2C003600B>

**Image database (product images, 2D dimension drawings, 3D models, device circuit diagrams, EPLAN macros, ...)**

[http://www.automation.siemens.com/bilddb/cax\\_de.aspx?mlfb=US2:LEFA2C003600B&lang=en](http://www.automation.siemens.com/bilddb/cax_de.aspx?mlfb=US2:LEFA2C003600B&lang=en)

**Certificates/approvals**

<https://support.industry.siemens.com/cs/US/en/ps/US2:LEFA2C003600B/certificate>



D46637003

last modified:

4/5/2023

