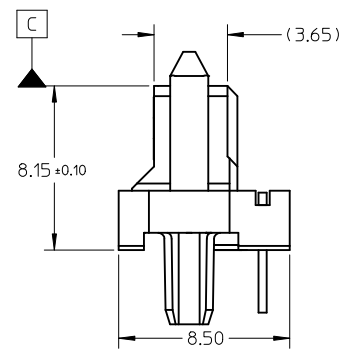
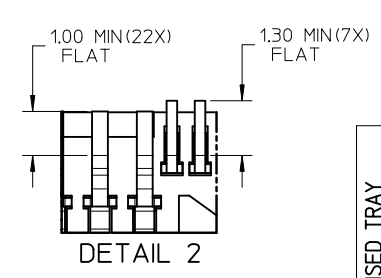
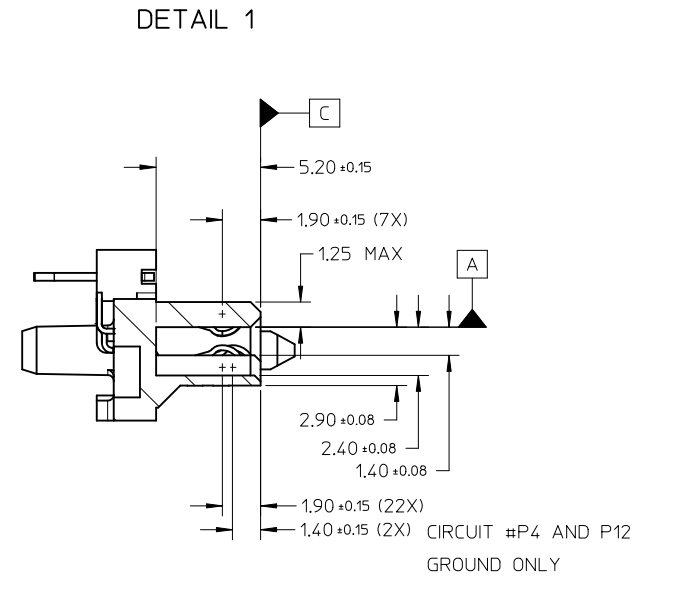
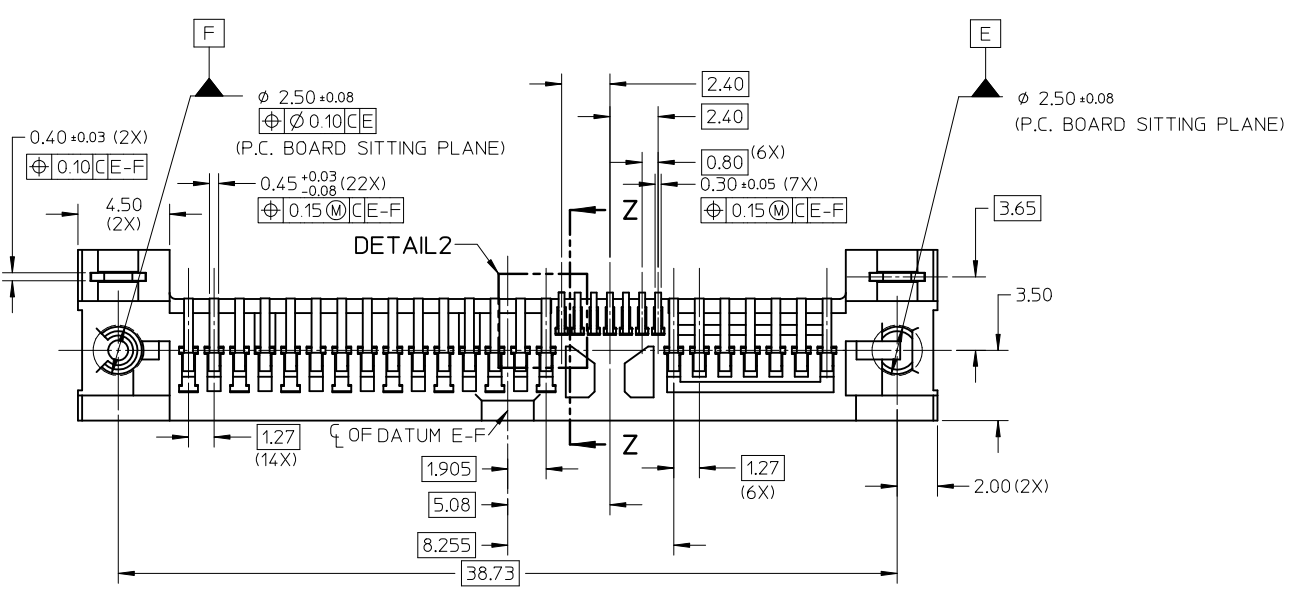
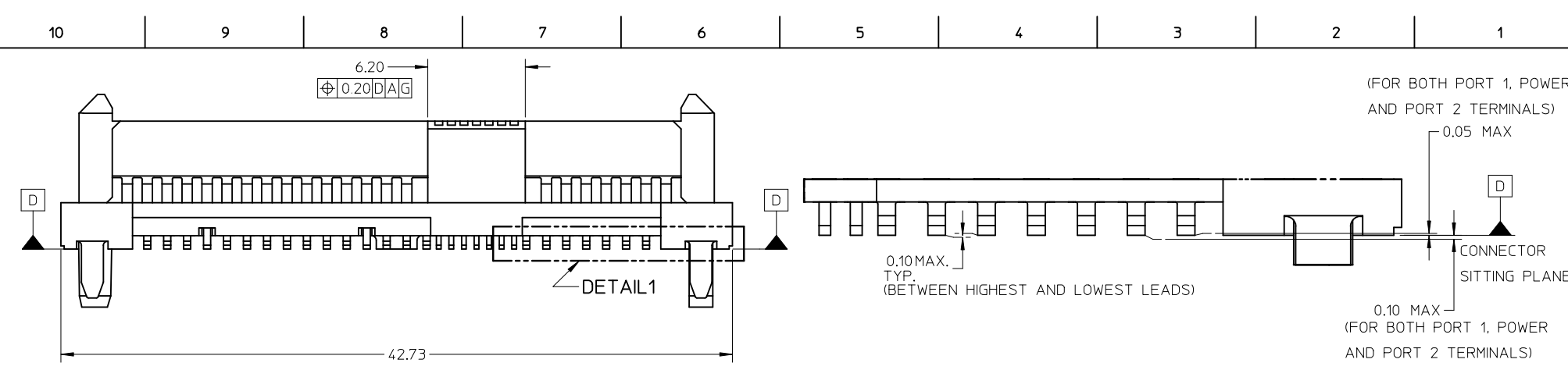


- NOTES:
- MATERIAL: LIQUID CRYSTALLINE POLYMER (LCP). GLASS FILLED UL 94V-0
COLOR: BLACK
TERMINAL: COPPER ALLOY
 - PLATING:
CONTACT: 0.76µm MIN. SELECTIVE GOLD OVER 1.27µm MIN. NICKEL UNDERPLATE
SOLDERTAIL: 2.54µ MIN. TIN OVER 1.27 µm MIN. NICKEL UNDERPLATE
 - MOLEX LOGO LOCATED APPROXIMATELY AS SHOWN
 - PACKAGING: SEE TABLE
 - DATE CODE TO BE LOCATED APPROXIMATELY AS SHOWN.
 - PRODUCT IS COMPLIANT TO RoHS DIRECTIVE WITH THE FOLLOWING BANNED SUBSTANCES - LEAD, MERCURY, CADMIUM, HEXAVALENT CHROMIUM, POLYBROMINATED BIPHENYLS AND POLYBROMINATED DIPHENYL ETHERS.
 - PRODUCT SPECIFICATION PS-87824-029 APPLIES.
 - MATES WITH: SFF-8482 PLUG
SATA PLUG SERIES: 87679, 87703, 87799

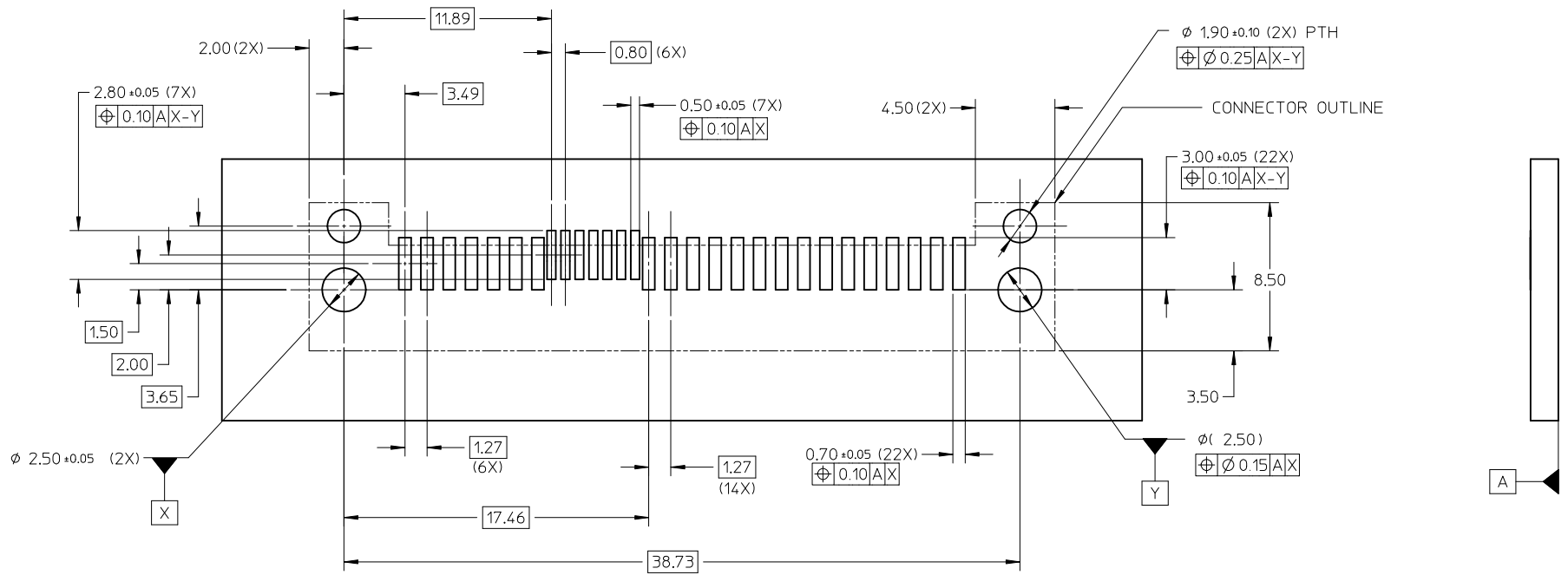


STANDARDISED TRAY EC NO: S2012-0424 DRAWN AT SEE CHKD: SKANG APPR: M LONG REV A5	QUALITY SYMBOLS ▽=0 C=0	GENERAL TOLERANCES (UNLESS SPECIFIED)		DIMENSION STYLE MM ONLY		SCALE NTS	DESIGN UNITS METRIC	THIRD ANGLE PROJECTION	
			mm	INCH	DRAWN BY KHLIM	DATE 2004/10/12	TITLE SERIAL ATTACH SCSI STD HEIGHT BACKPLANE SMT RECEPT (WITH BLADE)		
		4 PLACES	± ---	± ---	CHECKED BY KCLING	DATE 2004/11/25	MOLEX MOLEX INCORPORATED		
		3 PLACES	± ---	± ---	APPROVED BY SKTOH	DATE 2004/11/26	DOCUMENT NO. SD-87824-027	SHEET NO. 1 OF 4	
			2 PLACES	± 0.20	± ---	THIS DRAWING CONTAINS INFORMATION THAT IS PROPRIETARY TO MOLEX INCORPORATED AND SHOULD NOT BE USED WITHOUT WRITTEN PERMISSION			
			1 PLACE	± ---	± ---				
			ANGULAR ± 3 °						
			DRAFT WHERE APPLICABLE MUST REMAIN WITHIN DIMENSIONS						

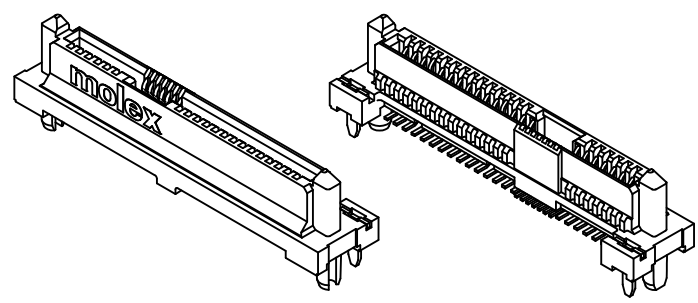


STANDARDISED TRAY EC NO: S2012-0424 DRWN:ATSEE 2011/11/22 CHKD:SKANG 2011/12/01 APPR:MLONG 2011/12/01 REV DESCRIPTION	QUALITY SYMBOLS	GENERAL TOLERANCES (UNLESS SPECIFIED)	DIMENSION STYLE	SCALE	DESIGN UNITS	THIRD ANGLE PROJECTION	
	$\nabla = 0$ $\sphericalangle = 0$	mm INCH	MM ONLY	NTS	METRIC		
		4 PLACES ± --- ± ---	DRAWN BY DATE	TITLE	SERIAL ATTACH SCSI STD HEIGHT BACKPLANE SMT RECEPT (WITH BLADE)		
		3 PLACES ± --- ± ---	CHECKED BY DATE	MOLEX INCORPORATED			
		2 PLACES ± 0.20 ± ---	APPROVED BY DATE	DOCUMENT NO. SD-87824-027			
	1 PLACE ± --- ± ---	ANGULAR ± 3 °	MATERIAL NO.	SHEET NO. 2 OF 4			
		DRAFT WHERE APPLICABLE MUST REMAIN WITHIN DIMENSIONS	SEE TABLE	THIS DRAWING CONTAINS INFORMATION THAT IS PROPRIETARY TO MOLEX INCORPORATED AND SHOULD NOT BE USED WITHOUT WRITTEN PERMISSION			

PART NO	PACKAGING	QUANTITY	PICK AND PLACE CAP
87824-0003	TRAY	50/TRAY	YES
87824-0005	TRAY	50/TRAY	NO
87824-0007	TAPE AND REEL	350/REEL	YES



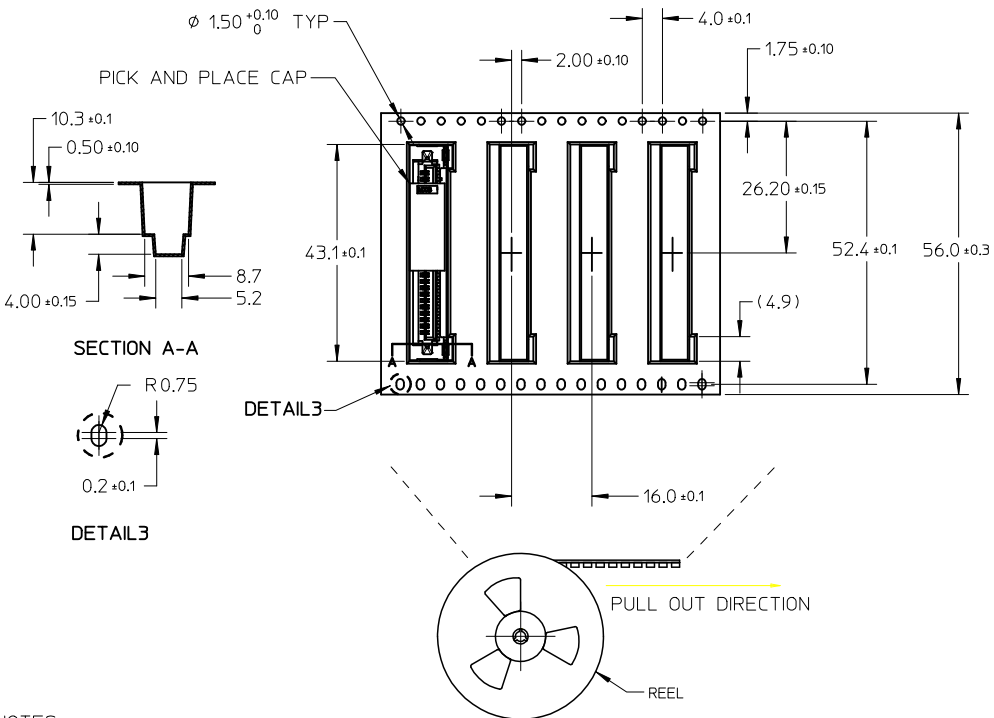
RECOMMENDED PCB LAYOUT
THICKNESS: 1.60±0.10



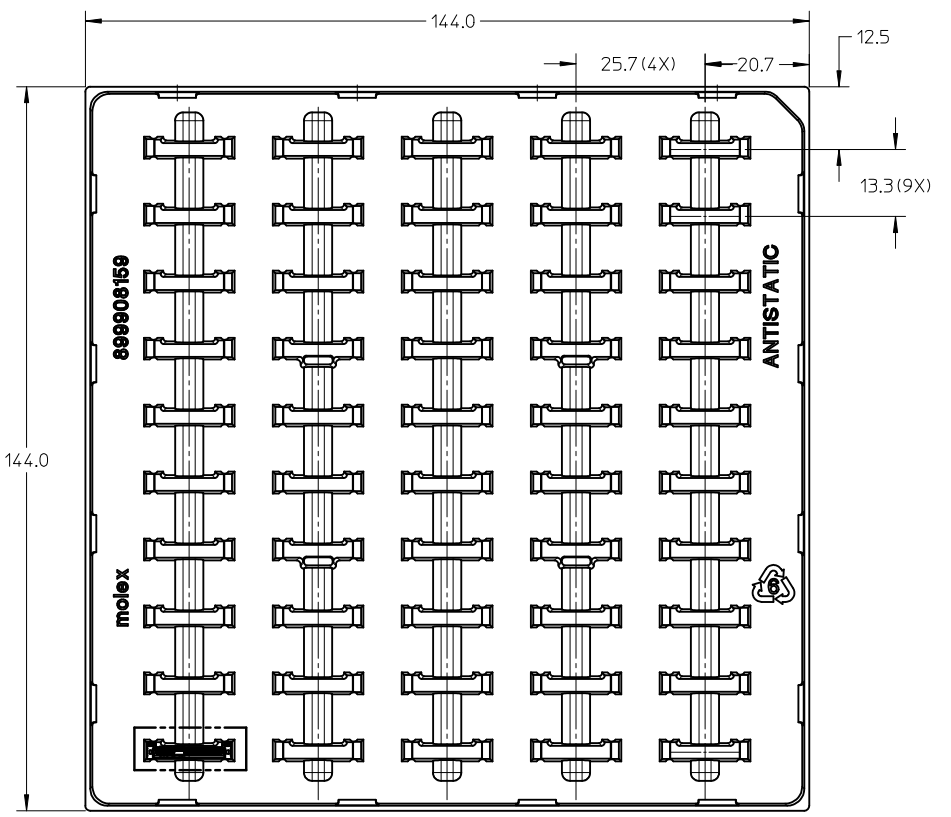
STANDARDISED TRAY EC NO: S2012-0424 DRWN:ATSEE CHKD:SKANG APPR:MLONG 2011/11/22 2011/12/01 2011/12/01	QUALITY SYMBOLS ▽=0 ◻=0	GENERAL TOLERANCES (UNLESS SPECIFIED) <table border="1"> <thead> <tr> <th></th> <th>mm</th> <th>INCH</th> </tr> </thead> <tbody> <tr> <td>4 PLACES</td> <td>± ---</td> <td>± ---</td> </tr> <tr> <td>3 PLACES</td> <td>± ---</td> <td>± ---</td> </tr> <tr> <td>2 PLACES</td> <td>± 0.20</td> <td>± ---</td> </tr> <tr> <td>1 PLACE</td> <td>± ---</td> <td>± ---</td> </tr> </tbody> </table>		mm	INCH	4 PLACES	± ---	± ---	3 PLACES	± ---	± ---	2 PLACES	± 0.20	± ---	1 PLACE	± ---	± ---	DIMENSION STYLE MM ONLY	SCALE NTS	DESIGN UNITS METRIC	THIRD ANGLE PROJECTION
		mm	INCH																		
	4 PLACES	± ---	± ---																		
	3 PLACES	± ---	± ---																		
2 PLACES	± 0.20	± ---																			
1 PLACE	± ---	± ---																			
REV A5	DESCRIPTION	DRAFT WHERE APPLICABLE MUST REMAIN WITHIN DIMENSIONS	DRAWN BY KHL IM DATE 2004/10/12	CHECKED BY KCL ING DATE 2004/11/25	APPROVED BY SKTOH DATE 2004/11/26	TITLE SERIAL ATTACH SCSI STD HEIGHT BACKPLANE SMT RECEPT (WITH BLADE)															
			MATERIAL NO. SEE TABLE	DOCUMENT NO. SD-87824-027	SHEET NO. 3 OF 4	MOLEX INCORPORATED															
			THIS DRAWING CONTAINS INFORMATION THAT IS PROPRIETARY TO MOLEX INCORPORATED AND SHOULD NOT BE USED WITHOUT WRITTEN PERMISSION																		

10 9 8 7 6 5 4 3 2 1

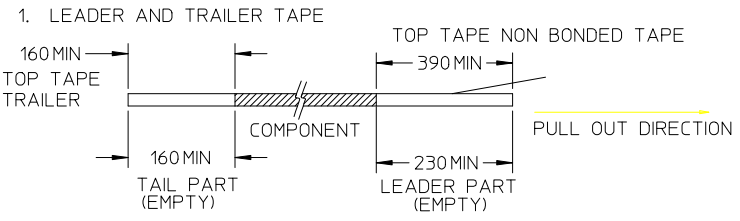
TAPE AND REEL PACKAGING



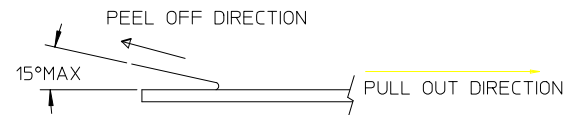
TRAY PACKAGING



NOTES:



2. PEELING OFF FORCE OF THE TOP TAPE: 80gf MAX.
(PEELING DIRECTION AS SHOWN IN FOLLOWING FIGURE)



- 3. PACKAGING QTY: 350 PCS/REEL
- 4. PACKAGING STANDARD IS AS PER EIA-481.
- 5. CONNECTOR COMES WITH PICK AND PLACE CAP.

NOTES:

- 1. PACKAGING QTY: 50PCS/TRAY
- 2. NO PICK AND PLACE CAP

STANDARDISED TRAY EC NO: S2012-0424 DRAWN: TSEE CHKD: SKANG APPR: MLONG	2011/11/22	2011/12/01	2011/12/01
	REV	DESCRIPTION	
	QUALITY SYMBOLS	▽=0	▽=0

GENERAL TOLERANCES (UNLESS SPECIFIED)	mm	INCH	
	4 PLACES	± ---	± ---
	3 PLACES	± ---	± ---
	2 PLACES	± 0.20	± ---
	1 PLACE	± ---	± ---
	ANGULAR ± 3 °		
DRAFT WHERE APPLICABLE MUST REMAIN WITHIN DIMENSIONS			

DIMENSION STYLE		SCALE	DESIGN UNITS	THIRD ANGLE PROJECTION
MM ONLY		NTS	METRIC	
DRAWN BY	DATE	TITLE		
KHL IM	2004/10/12	SERIAL ATTACH SCSI		
CHECKED BY	DATE	STD HEIGHT BACKPLANE SMT		
KCL ING	2004/11/25	RECEPT (WITH BLADE)		
APPROVED BY	DATE	MOLEX INCORPORATED		
SKTOH	2004/11/26	MOLEX INCORPORATED		
MATERIAL NO.	DOCUMENT NO.	SHEET NO.		
SEE TABLE	SD-87824-027	4 OF 4		

SERIAL ATTACH SCSI STD HEIGHT BACKPLANE SMT RECEPT (WITH BLADE)	
MOLEX INCORPORATED	
MATERIAL NO.	DOCUMENT NO.
SEE TABLE	SD-87824-027
THIS DRAWING CONTAINS INFORMATION THAT IS PROPRIETARY TO MOLEX INCORPORATED AND SHOULD NOT BE USED WITHOUT WRITTEN PERMISSION	

9 8 7 6 5 4 3 2 1