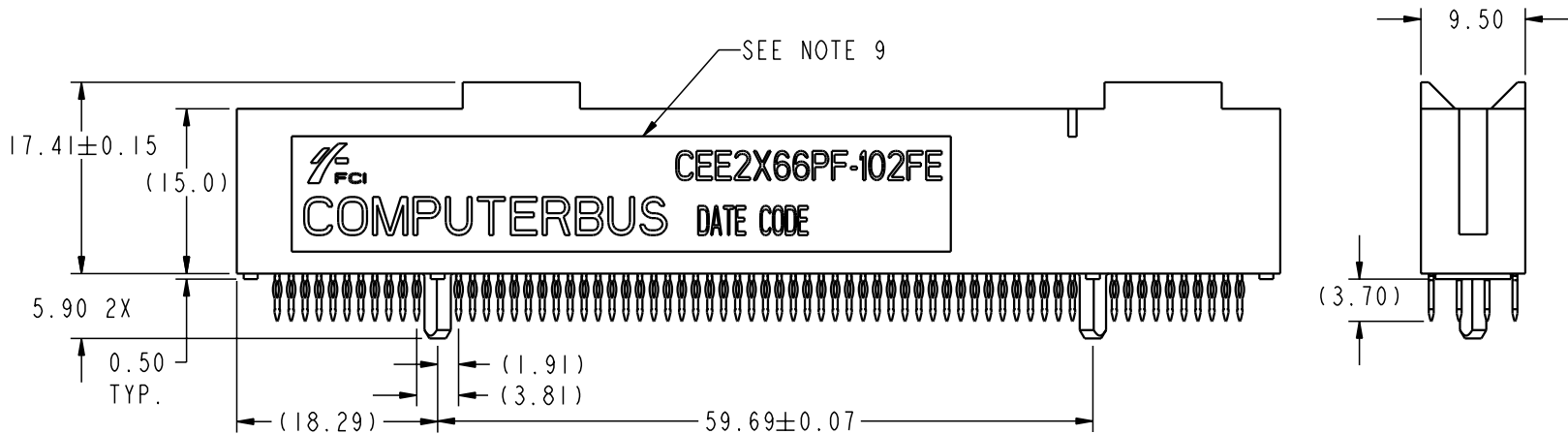
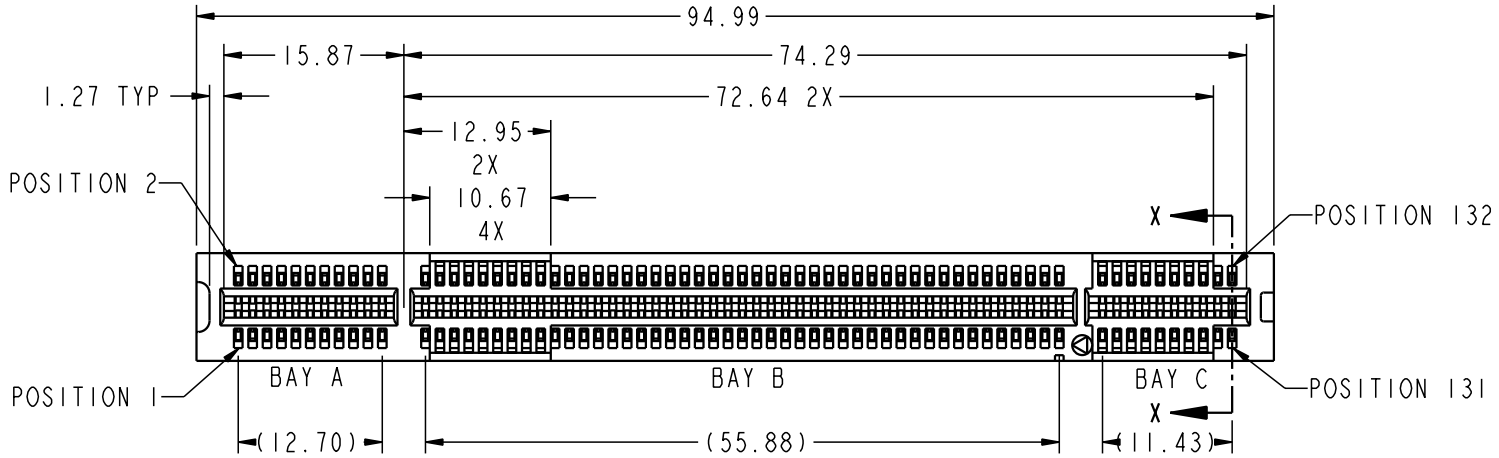


Tous droits strictement réservés. Reproduction ou communication a des tiers interdite sous quelque forme que ce soit sans autorisation écrite du propriétaire. Propriété de c FCI. Droits de reproduction FCI.

All rights strictly reserved. Reproduction or issue to third parties in any form whatever is not permitted without written authority from the proprietor. Property of FCI. Copyright FCI.

PRODUCT NUMBER  
SEE TABLE



mat'l code				SEE NOTES				tolerances unless otherwise specified				CUSTOMER		FCI ELECTRONICS www.fciconnect.com	
ltr	ecr no.	dr	date					0.X ± 0.2				COPY		title	
E	V95900	CWK	3/28/99	linear				0.XX ± 0.10				projection		CEE2X---PF	
F	V00805	CWK	3/28/99					0.XXX ± 0.050				MM		CONNECTOR ASSEMBLIES	
G	V11759	MEP	7/2/01	angles				0° ± 1°				scale		product family	
H	V12247	GIP	9/20/01									3:2		CARDEGE	
														code	
														213	
														sheet	
														1 of 8	
sheet index		revision sheet		H	H	H	H	H	H	H	H	H	H	cage code	
				1	2	3	4	5	6	7	8			22526	

Pro/E

3

cage code 22526

4

PDM: Rev:H

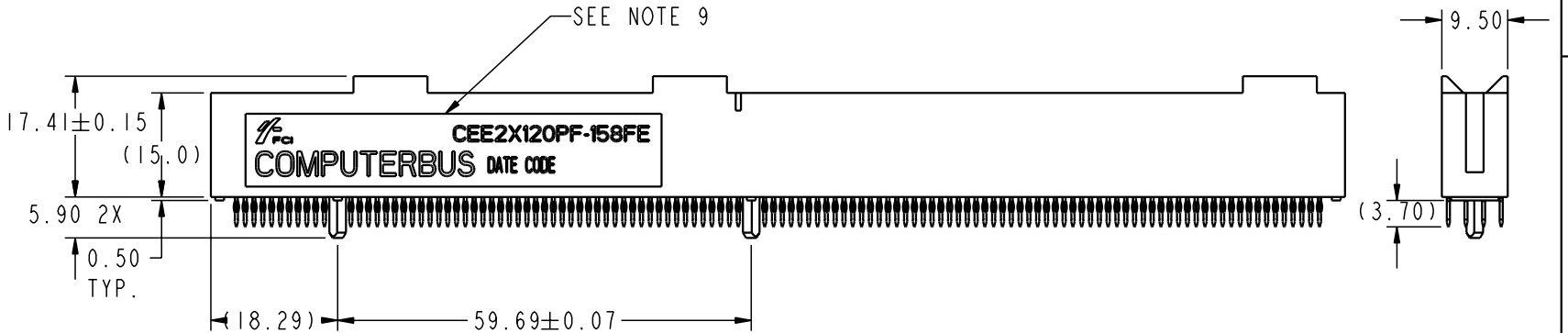
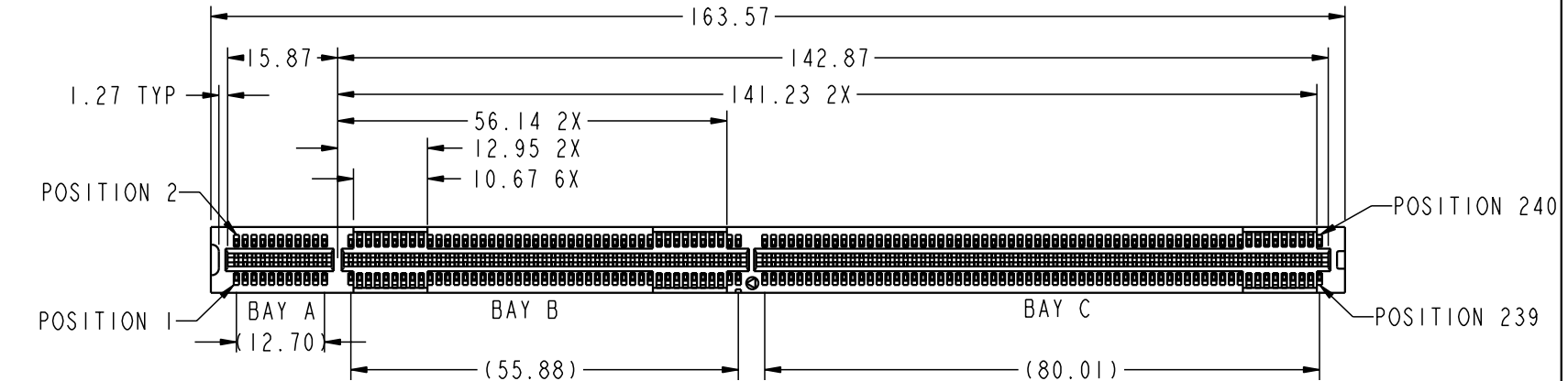
STATUS: Released

Printed: Dec 10, 2003

Tous droits strictement réservés. Reproduction ou communication a des tiers interdite sous quelque forme que ce soit sans autorisation écrite du propriétaire. Propriété de c FCI. Droits de reproduction FCI.

All rights strictly reserved. Reproduction or issue to third parties in any form whatever is not permitted without written authority from the proprietor. Property of FCI. Copyright FCI.

PRODUCT NUMBER  
SEE TABLE



mat'l code				SEE NOTES		tolerances unless otherwise specified		CUSTOMER		<b>ELECTRONICS</b> www.ficconnect.com	
ltr	ecr no.	dr	date	linear	0.X ± 0.2		COPY		title		
H					0.XX ± 0.10		projection		CEE2X---PF		
					0.XXX ± 0.050				CONNECTOR ASSEMBLIES		
				angles	0° ± 1°				product family		code
				dr	G.PETERS	9/20/01	MM		CARDEGE		213
				enr	D.CASEY	9/11/01			size	dwg no	sheet
				chr	G.PETERS	9/20/01	3:2		A	SE94584	2
				appd	D.CASEY	9/20/01					
sheet index	revision sheet										

Pro/E

cage code 22526

PDM: Rev:H

STATUS: Released

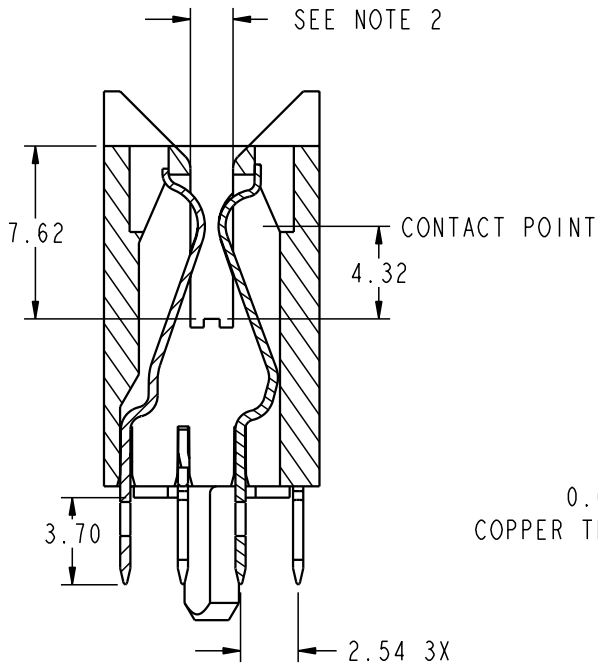
Printed: Dec 10, 2003

Tous droits strictement réservés. Reproduction ou communication à des tiers interdite sous quelque forme que ce soit sans autorisation écrite du propriétaire. Propriété de c FCI. Droits de reproduction FCI.

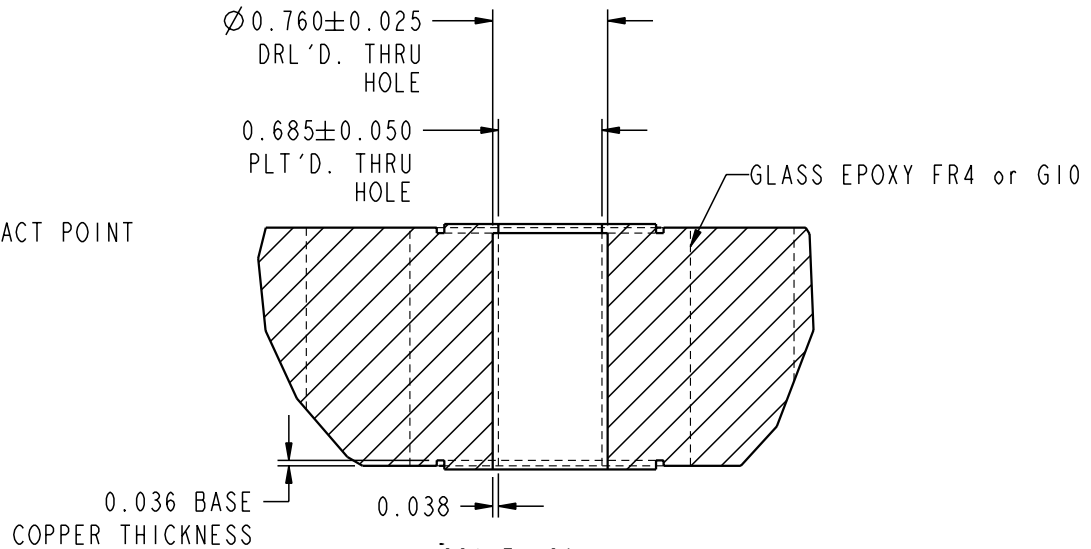


All rights strictly reserved. Reproduction or issue to third parties in any form whatever is not permitted without written authority from the proprietor. Property of FCI. Copyright FCI.

FCI CATALOG NO. f/CONNECTORS w/CARD COLLECTORS	CONNECTOR SIZE	NO. CONTACTS LOADED	TERMIN.	LOAD PATTERN	CONTACT PAIRS BAY A	CONTACT PAIRS BAY B	CONTACT PAIRS BAY C
CEE2X66PF-102FE	2x66	132	P.F.	FULLY LOADED	11	45	10
CEE2X120PF-158FE	2x120	240	P.F.	FULLY LOADED	11	45	64



SECTION X-X



SCALE 20:1

RECOMMENDED PLATED THRU HOLE DIMENSIONS FOR COMPLIANT PRESS PINS

mat'l code		SEE NOTES		tolerances unless otherwise specified		CUSTOMER		<b>ELECTRONICS</b> www.fciconnect.com	
ltr	ecr no.	dr	date	linear	0.X ±0.2		COPY		title CEE2X---PF CONNECTOR ASSEMBLIES
H					0.XX ±0.10		projection		
					0.XXX ±0.050				
				angles	0° ±1°				product family CARDEGE
		dr	G.PETERS	9/20/01	MM		size		code 213
		enr	D.CASEY	9/11/01	3:1		dwg no		sheet 3
		chr	G.PETERS	9/20/01			A		SE94584
		appd	D.CASEY	9/20/01					
sheet index	revision sheet								

Pro/E

cage code 22526

PDM: Rev:H

STATUS: Released

Printed: Dec 10, 2003

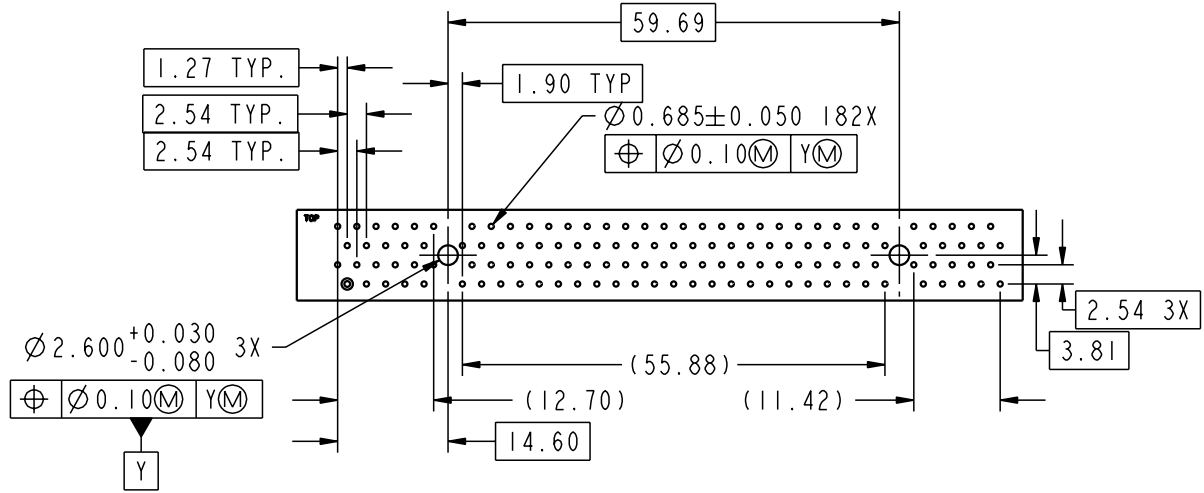
Tous droits strictement reserves. Reproduction ou communication a des tiers interdite sous quelque forme que ce soit sans autorisation ecrite du proprietaire. Propriete de c FCI. Droits de reproduction FCI.

All rights strictly reserved. Reproduction or issue to third parties in any form whatever is not permitted without written authority from the proprietor. Property of FCI. Copyright FCI.

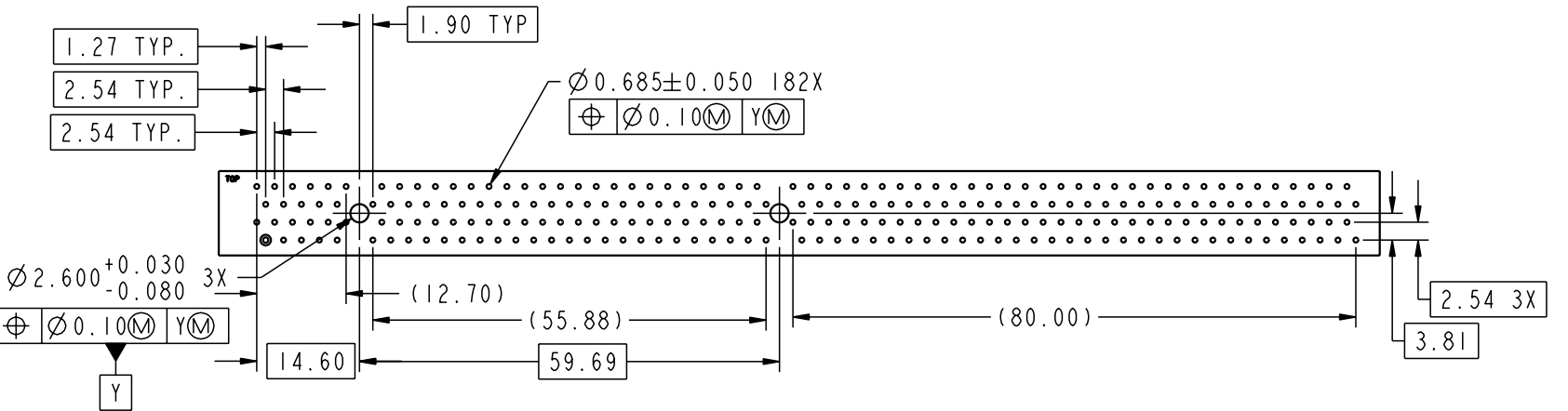


PRODUCT NUMBER  
SEE TABLE

1 | 2 | 3 | 4



RECOMMEND BACKPLANE LAYOUT f/CEE2X66PF-102FE



RECOMMENDED BACKPLANE LAYOUT f/CEE2X120PF-158FE

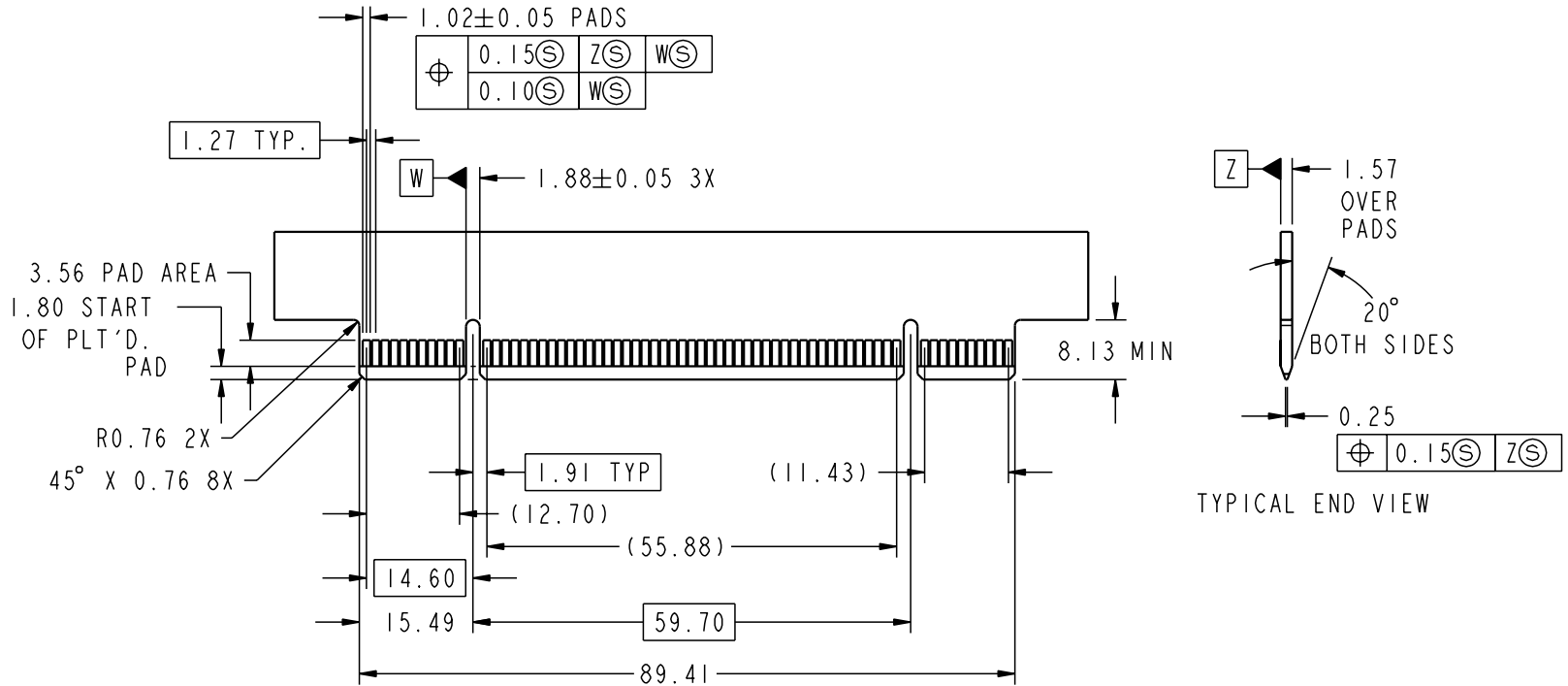
mat'l code		SEE NOTES		tolerances unless otherwise specified		CUSTOMER		<b>ELECTRONICS</b> www.fciconnect.com	
ltr	ecn no.	dr	date	linear	0.X ± 0.2	COPY		title	
H				angles	0.XX ± 0.10	projection		CEE2X---PF	
				dr	0.XXX ± 0.050			CONNECTOR ASSEMBLIES	
				enr	0° ± 1°			product family	
				chr	G.PETERS 9/20/01	MM		CARDEGE	
				appd	D.CASEY 9/11/01			code	
					G.PETERS 9/20/01	3:2		213	
					D.CASEY 9/20/01	A		4	
sheet index	revision sheet							size	
								SE94584	
								sheet	
								4	

1 | 2 | Pro/E | 3 | coge code 22526 | 4

Tous droits strictement réservés. Reproduction ou communication a des tiers interdite sous quelque forme que ce soit sans autorisation écrite du propriétaire. Propriété de c FCI. Droits de reproduction FCI.

All rights strictly reserved. Reproduction or issue to third parties in any form whatever is not permitted without written authority from the proprietor. Property of FCI. Copyright FCI.

PRODUCT NUMBER  
SEE TABLE



RECOMMENDED BACK PLANE LAYOUT FOR CEE2X66PF-102FE

mat'l code		SEE NOTES		tolerances unless otherwise specified		CUSTOMER		<b>ELECTRONICS</b> www.fciconnect.com	
ltr	ecn no.	dr	date	linear	0.X ± 0.2	COPY		title	
H					0.XX ± 0.10	projection		CEE2X---PF	
				angles	0.XXX ± 0.050			CONNECTOR ASSEMBLIES	
				dr	G.PETERS 9/20/01	MM		product family CARDEGE code	
				engr	D.CASEY 9/11/01			size dwg no 213	
				chr	G.PETERS 9/20/01	scale		sheet	
				appd	D.CASEY 9/20/01	3:2		A SE94584 5	
sheet index	revision sheet							cage code	
								22526	

Pro/E

cage code 22526

PDM: Rev:H

STATUS: Released

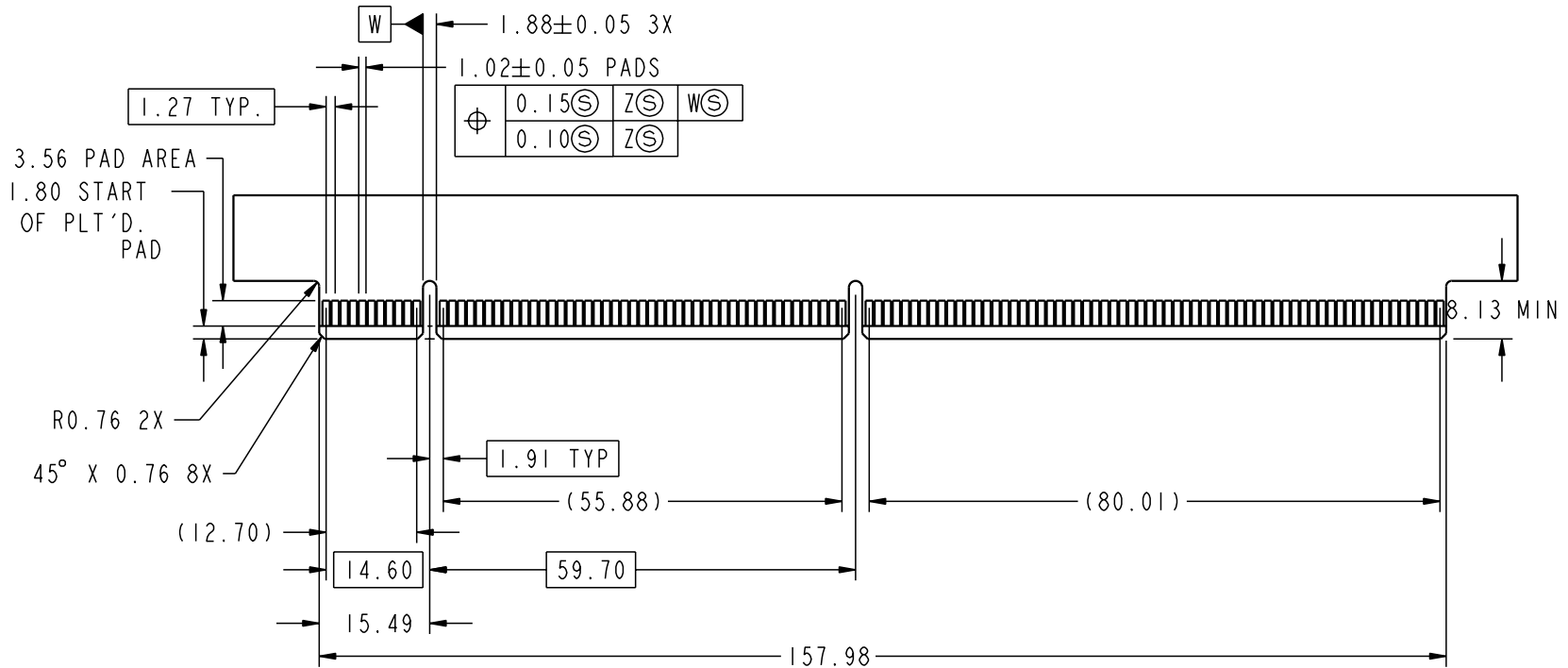
Printed: Dec 10, 2003

Tous droits strictement réservés. Reproduction ou communication a des tiers interdite sous quelque forme que ce soit sans autorisation écrite du propriétaire. Propriété de c FCI. Droits de reproduction FCI.

All rights strictly reserved. Reproduction or issue to third parties in any form whatever is not permitted without written authority from the proprietor. Property of FCI. Copyright FCI.



PRODUCT NUMBER  
SEE TABLE



RECOMMENDED BACK PLANE LAYOUT FOR CEE2X120PF-158FE

mat'l code		SEE NOTES		tolerances unless otherwise specified		CUSTOMER		<b>ELECTRONICS</b> www.fciconnect.com	
ltr	ecr no.	dr	date	linear	0.X ± 0.2	COPY		title	
H				linear	0.XX ± 0.10	projection		CEE2X---PF	
				angles	0.XXX ± 0.050			CONNECTOR ASSEMBLIES	
				dr	G.PETERS 9/20/01	MM		product family CARDEGE code	
				enr	D.CASEY 8/2/01			size dwg no	
				chr	G.PETERS 9/20/01	1:2		A SE94584	
				appd	D.CASEY 9/20/01			sheet 213	
sheet index		revision sheet						sheet 6	

Pro/E

cage code 22526

PDM: Rev:H

STATUS: Released

Printed: Dec 10, 2003

Tous droits strictement reserves. Reproduction ou communication a des tiers interdite sous quelque forme que ce soit sans autorisation écrite du propriétaire. Propriete de c FCI. Droits de reproduction FCI.

All rights strictly reserved. Reproduction or issue to third parties in any form whatever is not permitted without written authority from the proprietor. Property of FCI. Copyright FCI.



PRODUCT NUMBER  
SEE TABLE

NOTES:

1. INTERPRET THIS DRAWING IN ACORRDANCE WITH ANSI Y14.5M -1982.
- ② CONNECTORS WITH CARD COLLECTING SCOOPS ARE DESIGNED TO ACCOMMODATE 1.57+/- .180 PC BOARDS WITH WARPAGE UP TO +/-2.03.
3. RECOMMENDED COMPONENT BOARD MATERIAL:  
P.C. BOARD:FR-4 WITH 28.35 GRAMS MIN. COPPER, PADS PLATED WITH .76 MICRONS MIN GOLD, PER MIL-G-45204, TYPE 1, CLASS 1, GRADE C OVER 2.54 MICRONS MIN NI. UNDERPLPATE PER QQ-N-290.
4. RECOMMENDED BACK PLANE THICKNESS IS 2.39 FOR 3.71 COMPLIANTTAIL.
5. CONTACT MATING SURFACES ARE LUBRICATED WITH OS-138.
6. MATERIAL:  
BODY: POLYPHENYLENE SULFIDE(PPS) UL RATED 94V-0  
COLOR, BROWN  
  
CONTACTS: PHOS BRONZE, PER FCI SPEC. M738  
  
CONTACT FINISH: FE 0.75 MICRONS MIN GOLD IN CONTACT  
AREA 1-3 MICRONS MIN TIN LEAD ON SOLDER TAILS  
2 MICRONS MIN Ni UNDERPLATE ALL OVER.
7. PERFORMANCE CHARACTERISTICS: SEE SHEET 7.
8. APPLICATION SPECIFICATION PER BUS-09-026.
9. ITEM NAME, LOGO, PART NUMBER, DATE CODE, AND UL SYMBOLS TO APPEAR IN THIS AREA.

mat'l code				SEE NOTES		tolerances unless otherwise specified		CUSTOMER		<b>ELECTRONICS</b> www.fciconnect.com	
ltr	ecr no.	dr	date	linear	0.X ±0.2		COPY		projection	title	
H					0.XX ±0.10					CEE2X---PF	
					0.XXX ±0.050					CONNECTOR ASSEMBLIES	
				angles	0° ±1°				product family		
		dr	G.PETERS	9/20/01	MM		CARDEDGE		code		
		enr	D.CASEY	9/11/01			size		213		
		chr	G.PETERS	9/20/01	scale		dwg no		sheet		
		appd	D.CASEY	9/20/01	1:2		A		7		
sheet index		revision sheet									

1 | 2

Pro/E

3 |

coge code 22526

4

PDM: Rev:H

STATUS: Released

Printed: Dec 10, 2003

Tous droits strictement reserves. Reproduction ou communication a des tiers interdite sous quelque forme que ce soit sans autorisation écrite du propriétaire. Propriete de c FCI. Droits de reproduction FCI.

All rights strictly reserved. Reproduction or issue to third parties in any form whatever is not permitted without written authority from the proprietor. Property of FCI. Copyright FCI.



PRODUCT NUMBER  
SEE TABLE

PERFORMANCE CHARACTERISTICS:

ENVIRONMENTAL:

OPERATING TEMPERATURE: -40C TO 105C  
THERMAL SHOCK: MIL-STD-1344, METHOD 1003.1)-55C TO +85C, 5 CYCLES)

FLAMABILITY RATING: UL94V-0

MECHANICAL:

DURABILITY: 100 MATING CYCLES WITHOUT PHYSICAL DAMAGE, OR EXCEEDING LOW LEVEL CONTACT RESISTANCE REQUIREMENTS WHEN MATED WITH RECOMMENDED CARD.

CONTACT RETENTION: MIL-STD-1344, METHOD 2007.1, 4.4 N MIN.

MATING FORCE: MIL-STD-1344, METHOD 2013.1 2.0 N MAX. AVERAGE PER OPPOSING PAIR USING GAUGE PER MIL-STD-C-21097 WITH CARD PROFILE

CONTACT NORMAL FORCE: 0.72 N MINIMUM

PRESS FIT TERMINATION FORCES: INSERTION FORCE 70 N MAX. PER PIN  
RETENTION FORCE 9 N MIN. PER PIN

ELECTRICAL:

CONTACT RESISTANCE: MIL-STD-1344, METHOD 3002-1, WITH 10 MILLIOHM MAX. INITIAL, 20 (LOW SIGNAL LEVEL) MILLIOHM RISE. COMPONENT BOARD SIDE - 1 MILLIOHM MAX., CONNECTION PRESS FIT PIN WITH w/PLATED THROUGH HOLE.

INSULATION RESISTANCE: MIL-STD-202, METHOD 302, CONDITION B, 1000 MEGAOHMS MIN.

DIELECTRIC WITHSTAND VOLTAGE: MIL-STD-1344, METHOD D3001.1 CONDITION 1, 500 VAC RM

CAPACITANCE: 2 PICO FARADS, MAX AT 1 MEGAHERTZ

CURRENT RATING: 1 AMP, 30C RISE ABOVE AMBIENT

VOLTAGE RATING: 150 VAC (RMS)

mat'l code				SEE NOTES		tolerances unless otherwise specified		CUSTOMER		<b>ELECTRONICS</b> www.fciconnect.com	
ltr	ecr no.	dr	date	linear	0.X ±0.2		COPY		projection	title	
H					0.XX ±0.10					CEE2X---PF	
					0.XXX ±0.050					CONNECTOR ASSEMBLIES	
				angles	0° ±1°				product family		
				dr	G.PETERS	9/20/01	MM		G.PETERS		code
				enrg	D.CASEY	9/11/01			size		213
				chr	G.PETERS	9/20/01	scale		dwg no		sheet
				appd	D.CASEY	9/20/01	1:2		A		8
sheet index		revision sheet									

cage code 22526

Pro/E

PDM: Rev:H

STATUS: Released

Printed: Dec 10, 2003