

THIS DRAWING IS UNPUBLISHED.

RELEASED FOR PUBLICATION

---

© COPYRIGHT - By -

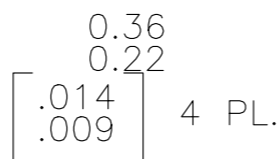
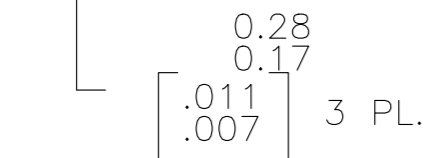
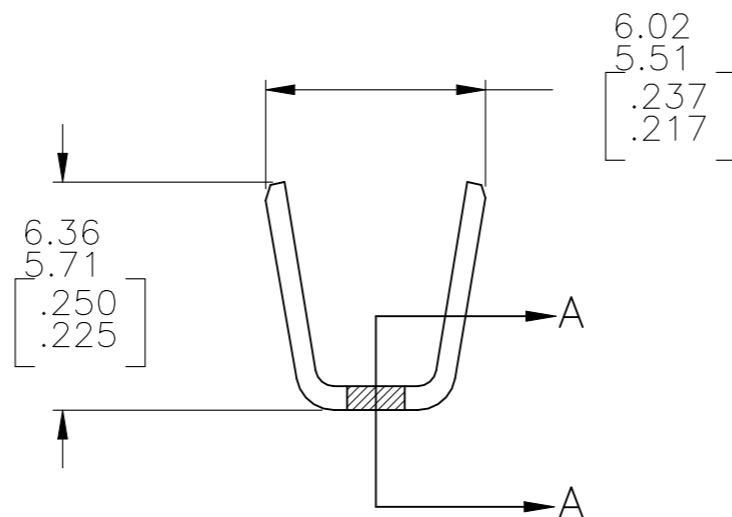
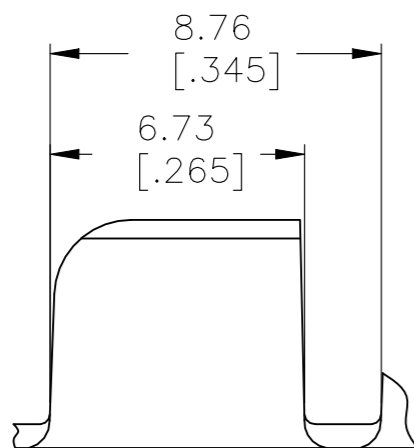
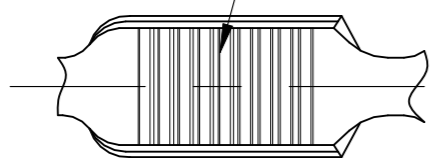
ALL RIGHTS RESERVED.

LOC AF DIST 50

REVISIONS

P	LTR	DESCRIPTION	DATE	DWN	APVD
	F5	REVISED PER ECR-21-103112	11MAY2021	JA	TD

9 AMPLIVAR SERRATIONS



SECTION A-A  
SCALE : 10:1

- PRODUCT PROVIDED IN STRIP FORM ON REELS; BREAKS MAY BE PRESENT.
- DIMENSIONS IN BRACKETS ARE IN INCHES.
- CRIMP WIDTH: .180 F  
CRIMP HEIGHT (±.002)=(TOTAL CMA+23,000)/312,500  
CRIMP WIDTH: .220 F  
CRIMP HEIGHT (±.002)=(TOTAL CMA+25,000)/375,000  
GENERAL APPLICATION GUIDELINES MUST BE FOLLOWED AS SPECIFIED IN CATALOG #82221  
FOR APPLICATOR INFORMATION CALL : 1-800-722-1111  
FOR PRODUCT INFORMATION CALL : 1-800-522-6752
- WIRE RANGE 7000-14000 CMA
- SPLICE FREE VERSION
- PRELIMINARY NOT FOR PRODUCTION

OBSOLETE	STANDARD	62310-4
	REVERSE	62310-3
	STANDARD	62310-2
	REELING	PART NO

THIS DRAWING IS A CONTROLLED DOCUMENT.		DWN RAGHAVENDRA 31JAN06	<b>STE</b> TE Connectivity	
DIMENSIONS: mm [INCHES]		CHK G.D.PORTA		
TOLERANCES UNLESS OTHERWISE SPECIFIED:		APVD G.D.PORTA	NAME	
0 PLC ± -		PRODUCT SPEC	SPLICE, AMPLIVAR 7000-14000 CMA	
1 PLC ± -		APPLICATION SPEC	-	
2 PLC ± 0.38[.015]		114-2003	SIZE	CAGE CODE
3 PLC ± -		WEIGHT -	A3	00779
4 PLC ± -		CUSTOMER DRAWING	DRAWING NO	RESTRICTED TO
ANGLES ± 1°			C-62310	-
FINISH			SCALE	SHEET
MATERIAL REF 0.64±0.03 [.025±.001] BRASS		TIN PL.	5:1	1 OF 1
			REV	F5