

1. USB MATERIALS:
 SHELL: PHOSPHOR BRONZE
 HOUSING: BLACK, THERMOPLASTIC, GLASS FILLED, UL 94V-0 RATED
 CONTACT: PHOSPHOR BRONZE WITH SELECTIVE GOLD PLATING, 0.76um MIN IN CONTACT REGION
 SPRING CLIP: COPPER ALLOY

RJ45 MATERIALS:
 HOUSING: BLACK, THERMOPLASTIC FLAMMABILITY RATING UL 94V-0
 SHIELD: BRASS, PREPLATED WITH 0.76um SEMI-BRIGHT NICKEL, POST DIPPED WITH 2.54um MIN SAC SOLDER ON SOLDER TAILS.
 CONTACTS: PHOSPHOR BRONZE, 0.30 mm THK, 1.27um MIN OVERALL NICKEL UNDERPLATE WITH SELECT CERTAIN THICKNESS GOLD AT MATING INTERFACE AND 2.54um MIN MATTE TIN AND/OR SAC SOLDER ON SOLDER TAILS.

LED: DIFFUSED EPOXY LENS, 0.5 X 0.5 CARBON STEEL WIREFRAME
 LEADS PREPLATED WITH 2.03um MIN SILVER OVER 1.02um MIN NICKEL UNDERPLATE OVER 1.02um COPPER UNDERPLATE. POST-PLATED WITH 2.54um MIN MATTE TIN AND/OR SAC SOLDER DIP OR PURE TIN SOLDER DIP.

2. MAGNETICS
 -APPLICATION : 10/100 BASE-T
 -IMPEDANCE: 100 OHMS
 -TURNS RATIO(CHIP:CABLE): TX=1:1, RX=1:1
 -OPEN CIRCUIT INDUCTANCE(OCL): 350uH MIN @100kHz, 0.1 VRMS, 8mADC BIAS FROM 0°C TO 70°C, TX AND RX
 -PERFORMANCE @ 25°C:
 INSERTION LOSS (IL): 1.1 dB MAX FROM 0.5MHz TO 100MHz
 RETURN LOSS (RL): 18dB MIN FROM 0.5MHz TO 30MHz
 18-20LOG(f/30)dB MIN FROM 30.1 MHz TO 60MHz
 12dB MIN FROM 60.1MHz TO 80MHz
 CROSSTALK ATTENUATION: 35 dB MIN FROM 0.5 MHz TO 40 MHz
 33-20LOG(f/50) dB MIN FROM 40.1 MHz TO 100 MHz
 COMMON MODE REJECTION RATIO (CMRR): 30dB MIN FROM 0.5MHz TO 100MHz
 -ISOLATION VOLTAGE: COMPLIES WITH IEEE802.3 2002, PARA 40.6.1.1, ITEM b.

3. OPERATING TEMPERATURE: 0°C TO + 70°C.

4. PART NUMBER, DATE CODE AND COUNTRY OF ORIGIN TO BE LOCATED IN APPROXIMATE AREA SHOWN.
 DATE CODE: YYWW "YY" IS YEAR, "WW" IS WORK WEEK, "D" IS DAY OF WEEK, WITH SUNDAY=1.

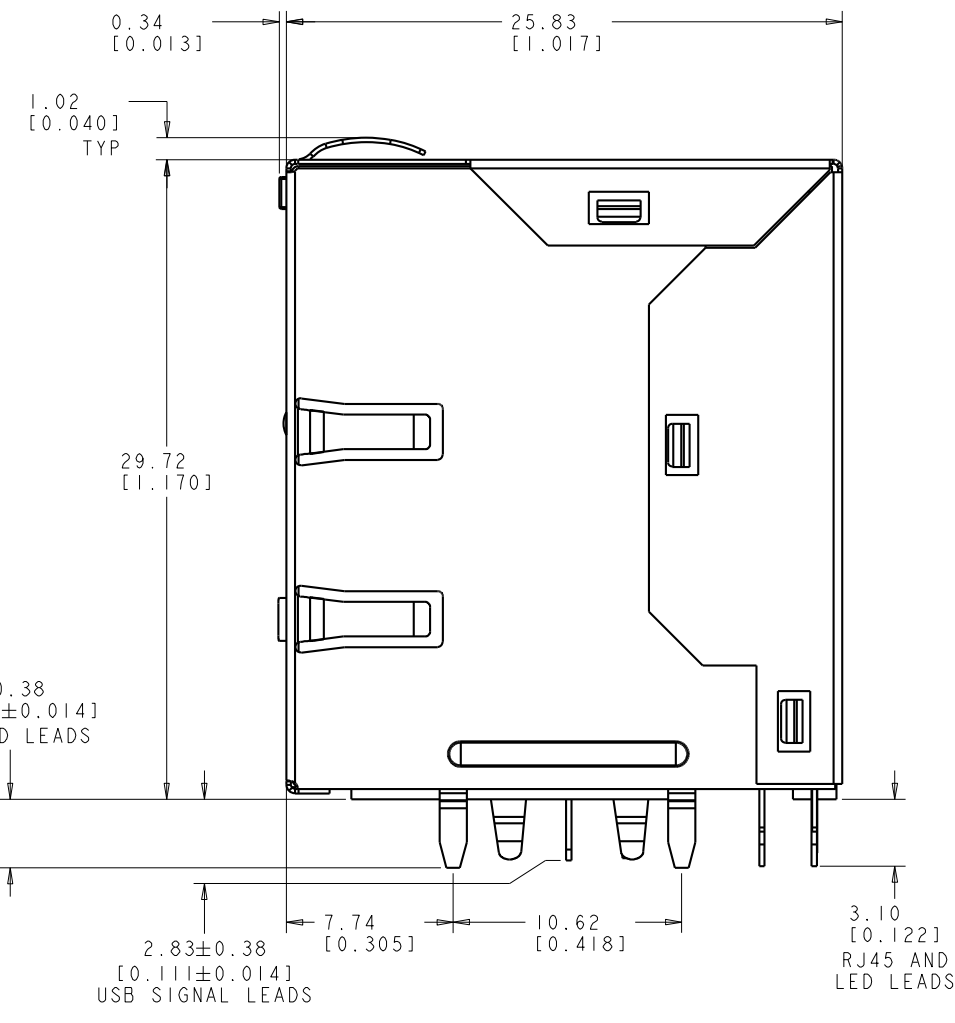
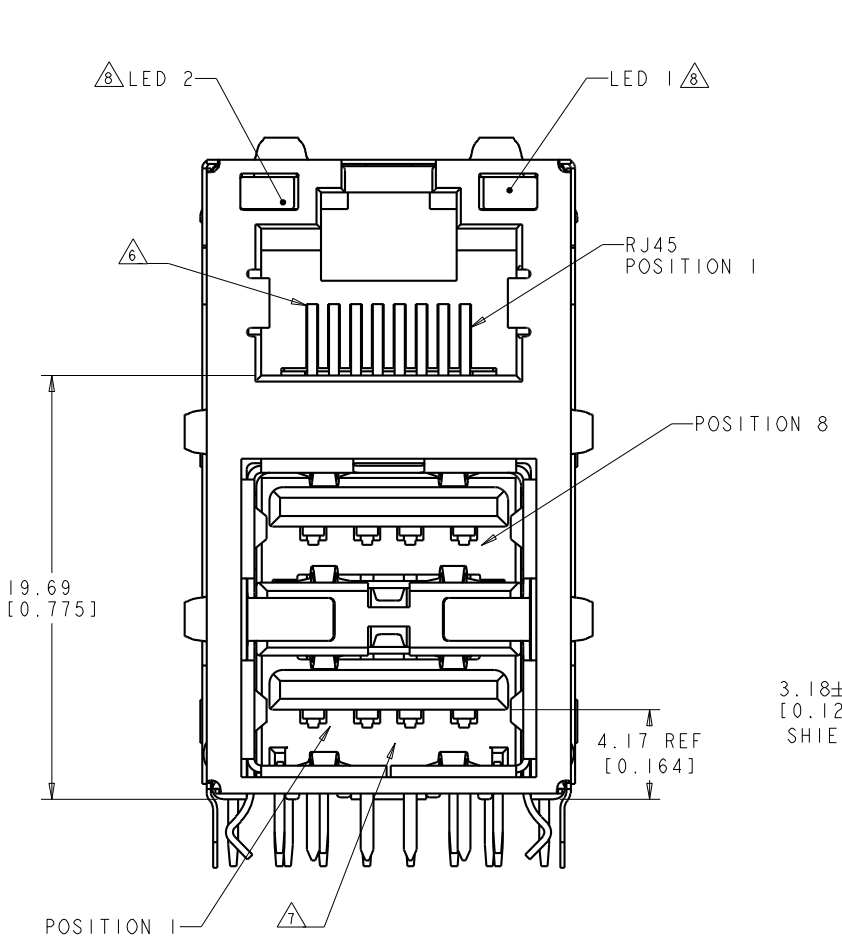
5. AGENCY APPROVAL LOGO, TRP CONNECTOR LOGO LOCATED IN APPROXIMATE AREA SHOWN.

6. RJ45 CAVITY CONFORMS TO FCC RULES AND REGULATION PART 68 SUBPART F.

7. MATING INTERFACE COMPIES WITH USB (UNIVERSAL SERIAL BUS) SPECIFICATION REV 2.0, UTILIZING TYCO P/N 292323-1 WITH USB 2.0 CERTIFICATE TEST ID NO. 60000242.

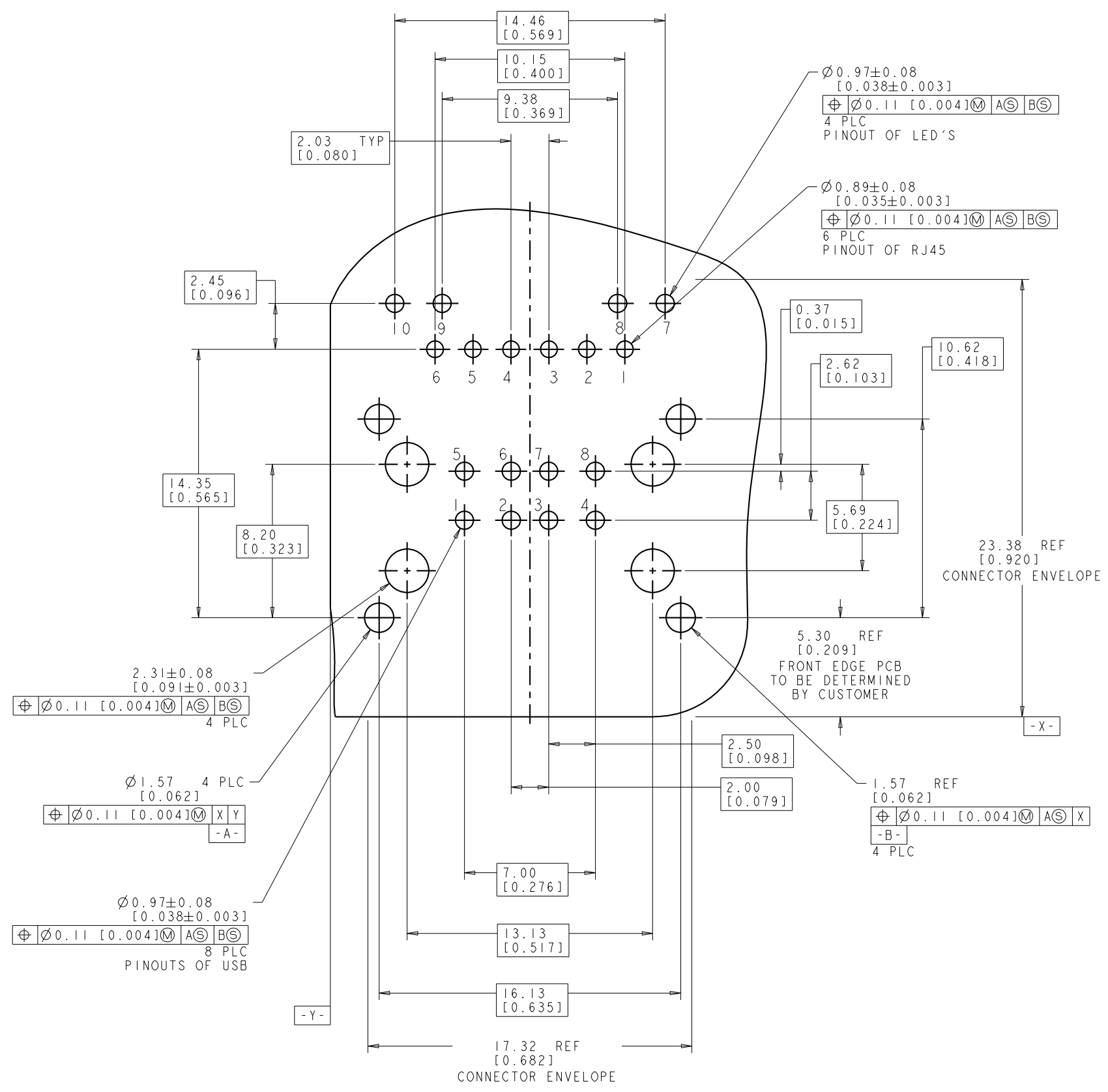
8. LED IS DRIVEN WITH CONSTANT CURRENT APPROX 20 mA
 DOMINANT WAVE LENGTH(λ D): GREEN 568 nm TYP, AT IF=20mA
 FORWARD VOLTAGE(VF): GREEN 2.2V AT IF=20mA
 DOMINANT WAVE LENGTH(λ D): YELLOW 588 nm TYP, AT IF=20mA
 FORWARD VOLTAGE(VF): YELLOW 2.1V AT IF=20mA
 DOMINANT WAVE LENGTH(λ D): ORANGE 605 nm TYP, AT IF=20mA
 FORWARD VOLTAGE(VF): ORANGE 2.1V AT IF=20mA

9. THESE PARTS ARE COMPLIANT WITH WAVE SOLDERING PROCESS, PEAK SOLDERING TEMPERATURE IS 260°C MAX, 10 SECONDS MAX.

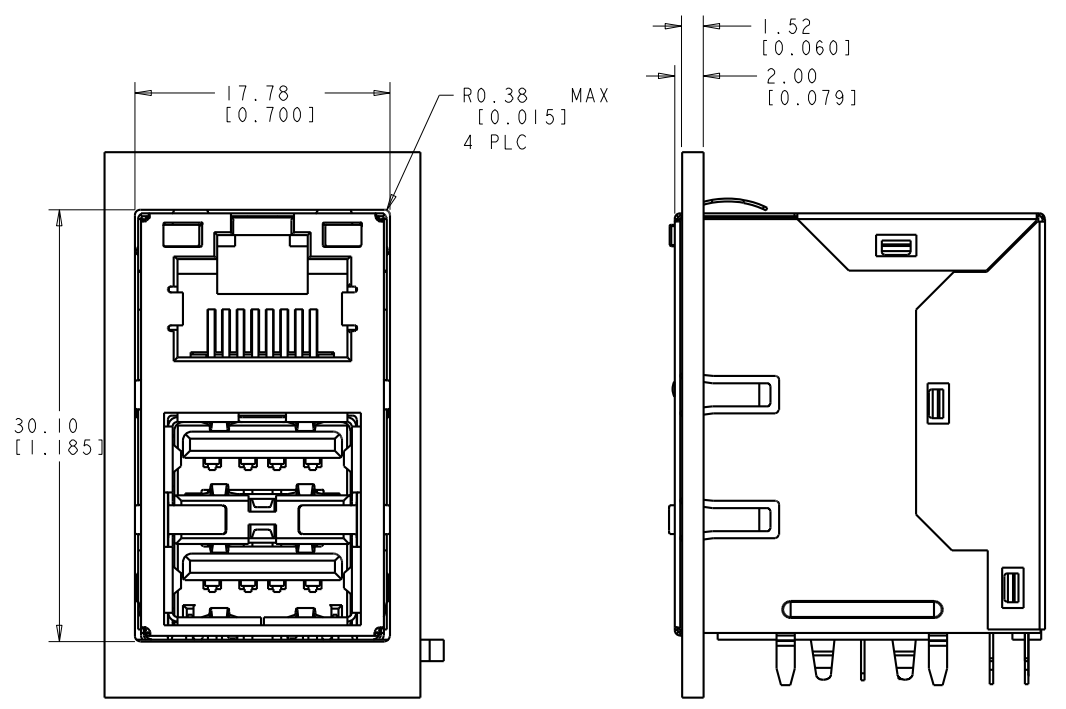


1.27um MIN	GREEN	GREEN	1000 pF, 2KV	2-1840026-1
0.76um MIN	GREEN	GREEN	1000 pF, 3KV	1-1840026-1
0.76um MIN	GREEN/ORANGE	YELLOW	1000 pF, 3KV	1840026-2
0.76um MIN	GREEN/ORANGE	YELLOW	1000 pF, 2KV	1840026-1
GOLD THICKNESS	LED2	LED1	DECOUPLING CAPACITOR	PART NUMBER

THIS DRAWING IS A CONTROLLED DOCUMENT.		DN SKY ZHAO 21AUG2008	TRP CONNECTOR a bel group DONGGUAN CHINA
DIMENSIONS: mm		CHK KEITH ZHU 21AUG2008	
TOLERANCES UNLESS OTHERWISE SPECIFIED:		APVD TUDY X LONG 21AUG2008	
0 PLC ±0.25 1 PLC ±0.25 2 PLC ±0.25 3 PLC ±0.25 4 PLC ±0.25		MODEL NAME	
PRODUCT SPEC 108-104005	APPLICATION SPEC	MAGJACK	UR204P12, 10/100 CIRCUIT, W/ LEDS OVER USB NON-PoE SIZE CAGE CODE DRAWING NO A1 C=1840026
CUSTOMER DRAWING		SCALE 4:1	SHEET 1 OF 3 REV F



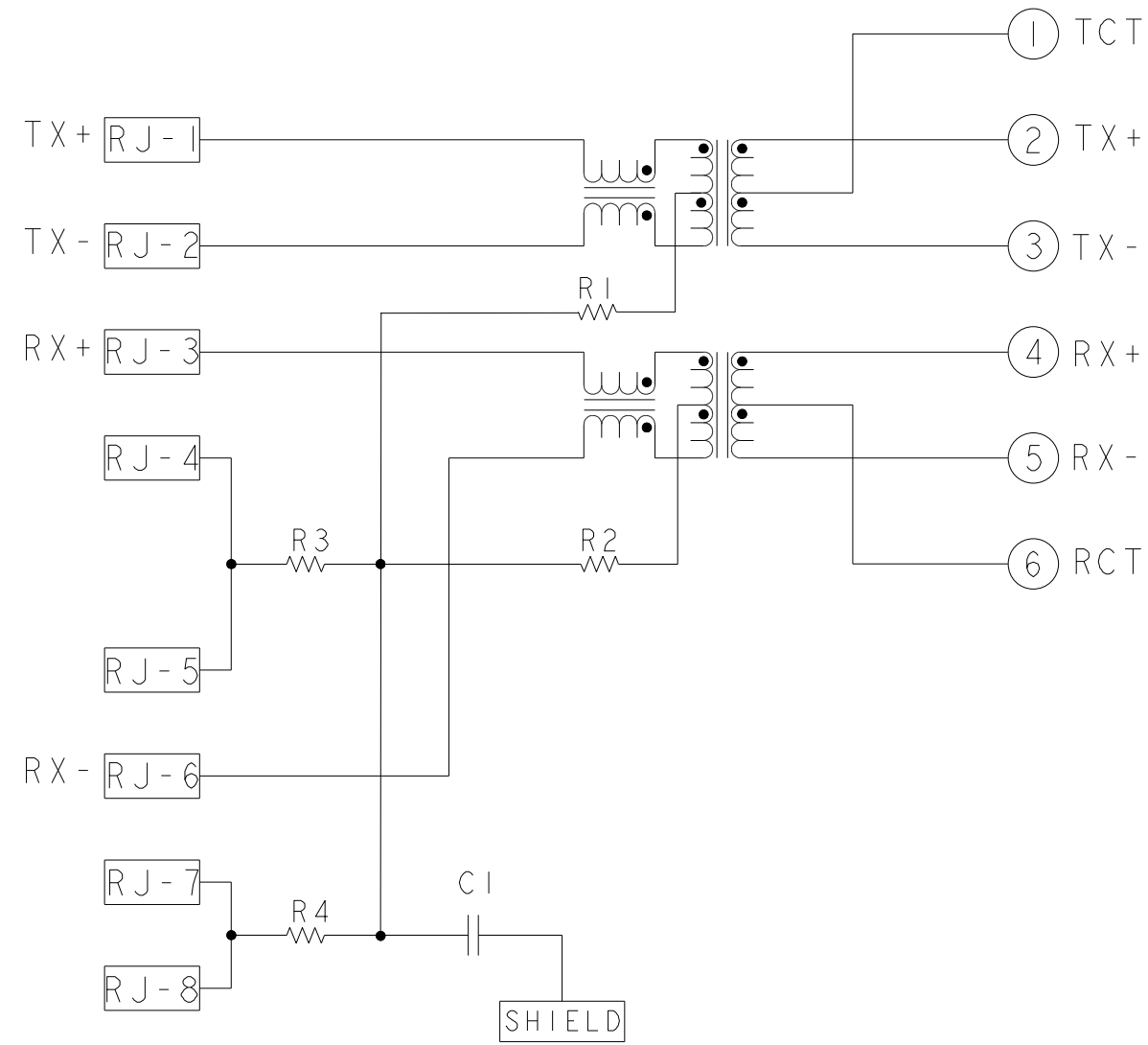
RECOMMENDED PCB FOOTPRINT COMPONENT SIDE SCALE 8:1



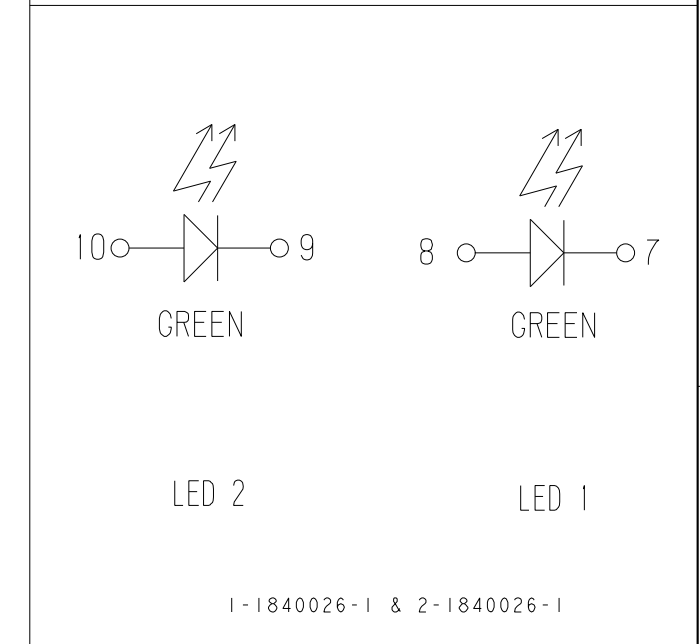
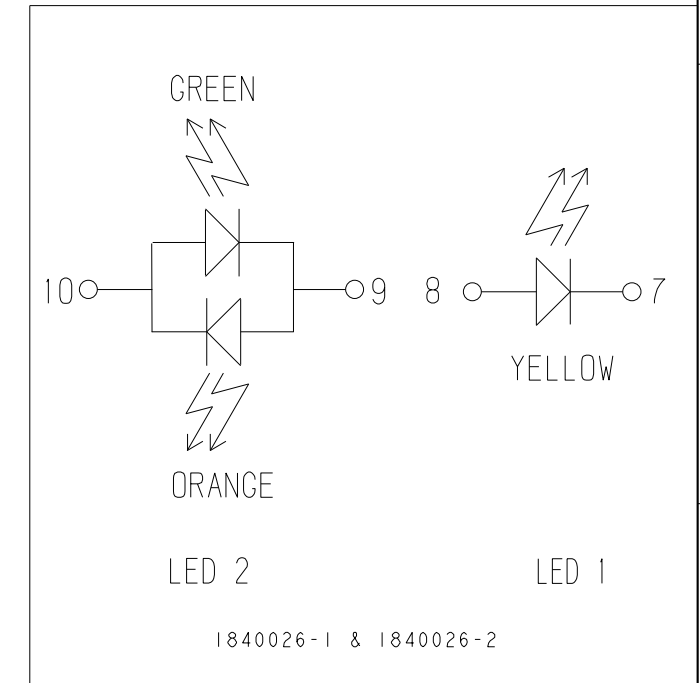
SUGGESTED PANEL CUTOUT DIMENSIONS SCALE 4:1

THIS DRAWING IS A CONTROLLED DOCUMENT.		DWN SKY ZHAO 21AUG2008 CWR KEITH ZHU 21AUG2008 APVD TERRY XIONG 21AUG2008	DONGGUAN CHINA
DIMENSIONS: mm 	TOLERANCES UNLESS OTHERWISE SPECIFIED: 0 PLC ±0.25 1 PLC ±0.25 2 PLC ±0.25 3 PLC ±0.25 4 PLC ±0.25	MODEL NAME: MAGJACK OVER USB NON-PoE	DESC: MAGJACK OVER DUAL USB UR204P12, 10/100 CIRCUIT, W/ LEDS SIZE: A1 CAGE CODE: - DRAWING NO: C=1840026 RESTRICTED TO: -
PRODUCT SPEC: 108-104005	APPLICATION SPEC: -	CUSTOMER DRAWING	SCALE: 4:1 SHEET: 2 OF 3 REV: F

Circuit UR204P12 Schematic Δ



R1-R4 = 75 Ohms, 1/16W, 5%
 C1 = 1000pF, 2kV



THIS DRAWING IS A CONTROLLED DOCUMENT.		OWN: SKY ZHAO 21AUG2008	TRP CONNECTOR a bel group DONGGUAN CHINA
DIMENSIONS: mm		CHK: KEITH ZHU 21AUG2008	
TOLERANCES UNLESS OTHERWISE SPECIFIED:		APVD: TEDDY XIONG 21AUG2008	
0 PLC ±0.25	1 PLC ±0.25	2 PLC ±0.25	3 PLC ±0.25
4 PLC ±0.25	MODEL NAME: MAGJACK		DESC: MAGJACK OVER DUAL USB
PRODUCT SPEC: 108-104005	APPLICATION SPEC: -	OVER USB NON-PoE	UR204P12, 10/100 CIRCUIT, W/ LEDS
SCALE: 4:1		SIZE: A1	CAGE CODE: -
SHEET: 3 OF 3		DRAWING NO: C=1840026	RESTRICTED TO: -
CUSTOMER DRAWING		REV: F	