

6

5

4

3

2

1

E

E

D

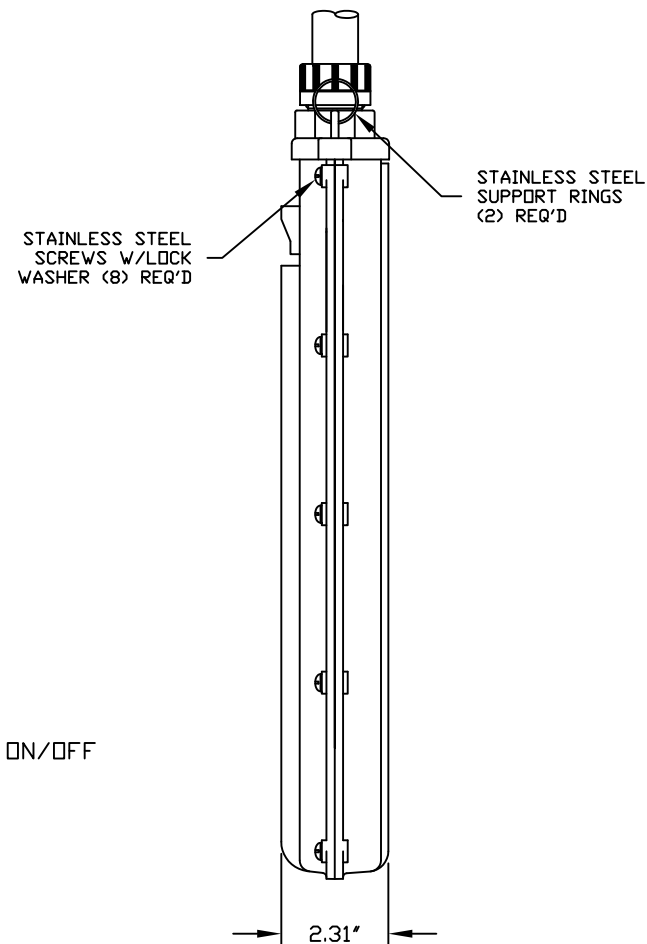
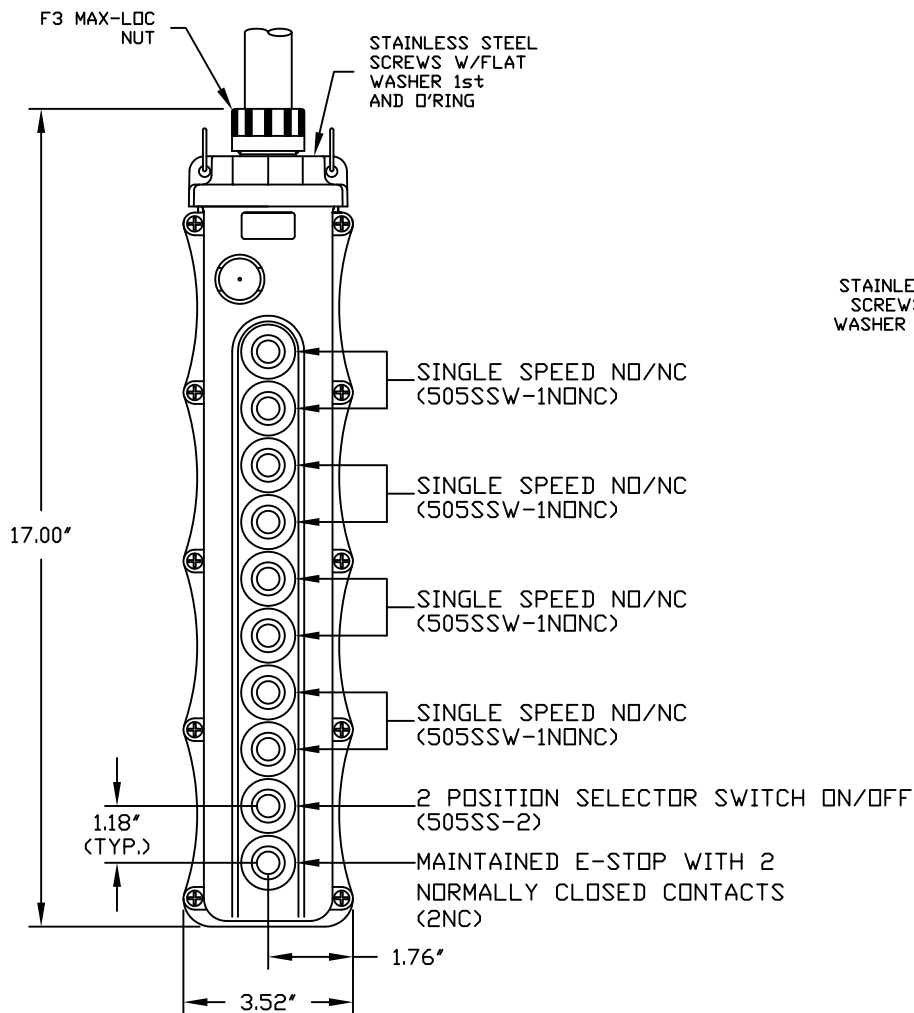
D

C

C

B

B



NOTES:

1. INSTALLATION INSTRUCTIONS, BUTTON ID. LABELS. ARE PACK WITH THE PART.
2. ALL BUTTONS ARE HIGH AMBIENT, CHEMICALLY RESISTANT MATERIAL - COLOR BLACK

RELEASE DRAWING EC NO: WNA2010-0634 DRWN: TVICKERS CHKD: KA APPR: DTITUS 3/8/10 2010/04/28	QUALITY SYMBOLS $\nabla=0$ $\nabla C=0$	GENERAL TOLERANCES (UNLESS SPECIFIED)		DIMENSION STYLE	SCALE	DESIGN UNITS	THIRD ANGLE PROJECTION	
			mm	INCH	INCH	NTS		INCH
		4 PLACES	±---	±---	---			
		3 PLACES	±---	±0.005	---			
2 PLACES	±0.13	±0.010	---	CHECKED BY	DATE	TITLE		
1 PLACE	±0.25	±0.020	---	HK	2010/03/03	5060 W/(4) AB2 L2 & 2NC E-STOP		
ANGULAR ±.5°		DRAFT WHERE APPLICABLE MUST REMAIN WITHIN DIMENSIONS		APPROVED BY	DATE	MOLEX INCORPORATED		
				DTITUS	2010/02/22	DOCUMENT NO. SD-130126-036		
				MATERIAL NO.		SHEET NO. 1 OF 1		
				SIZE	THIS DRAWING CONTAINS INFORMATION THAT IS PROPRIETARY TO MOLEX INCORPORATED AND SHOULD NOT BE USED WITHOUT WRITTEN PERMISSION			
				A				

6

5

4

3

2

1

A

A