

THIS DRAWING IS UNPUBLISHED.

RELEASED FOR PUBLICATION

20

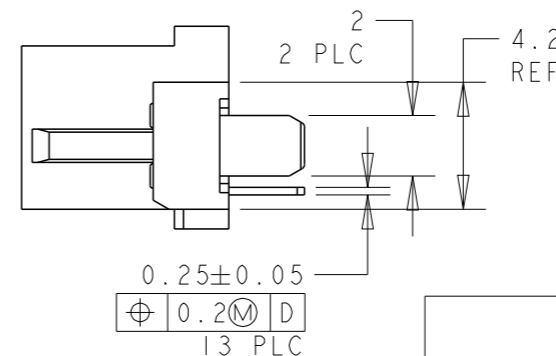
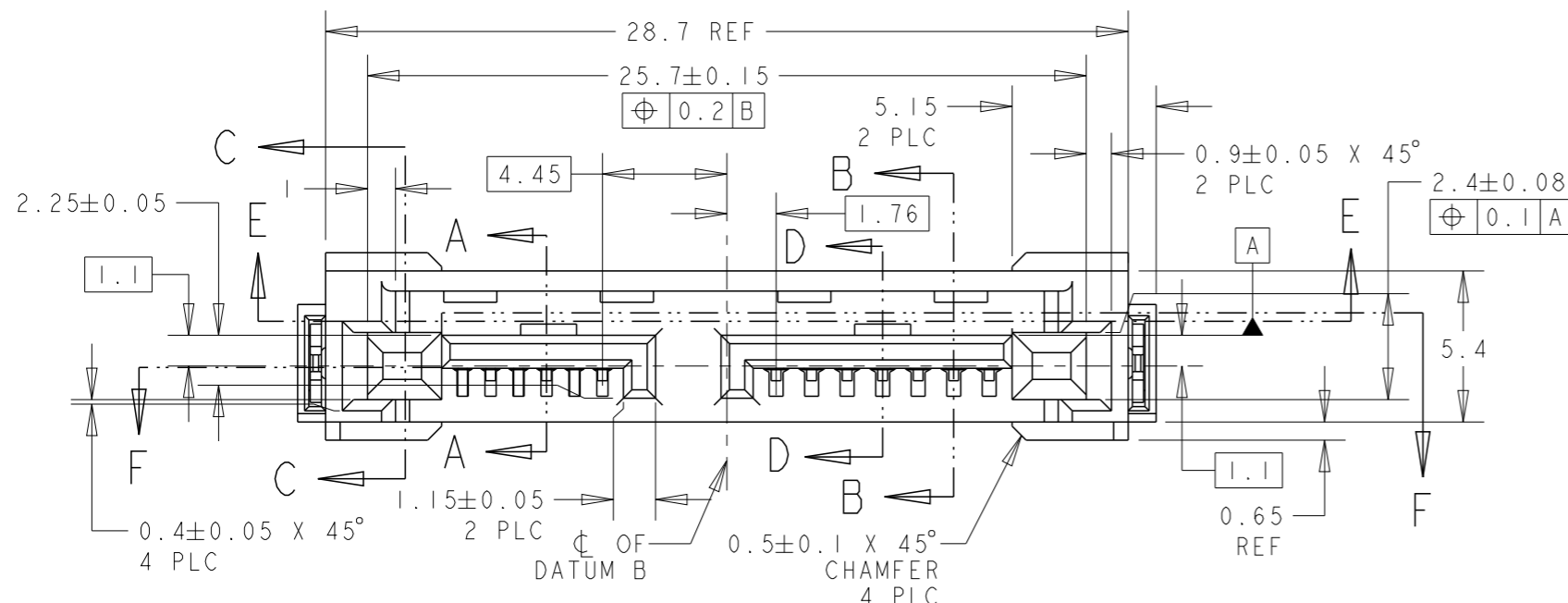
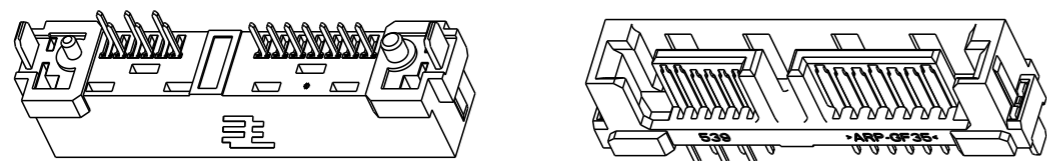
© COPYRIGHT 20 BY - ALL RIGHTS RESERVED.

LOC
DY

DIST
-

REVISIONS

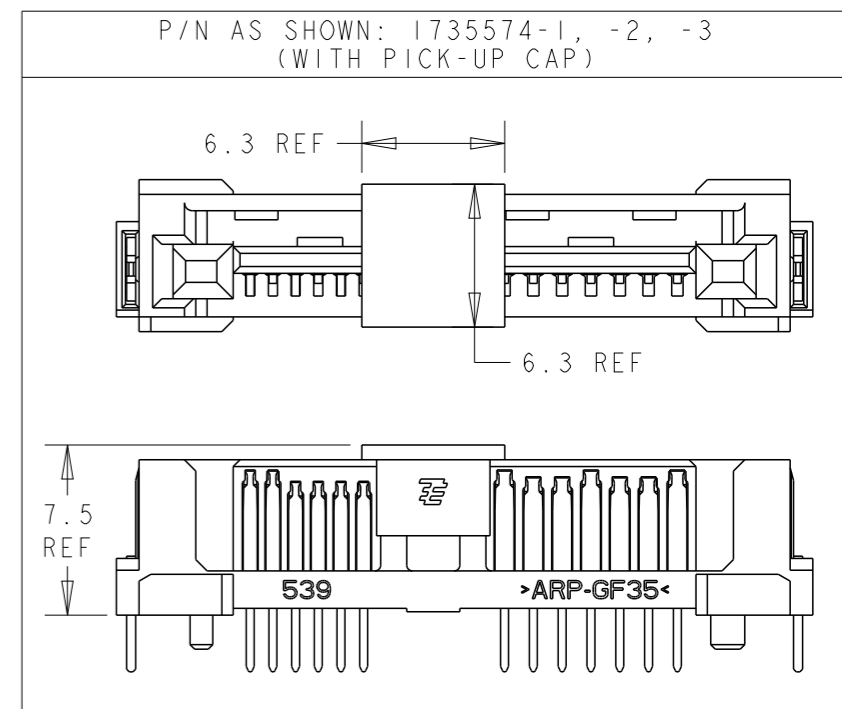
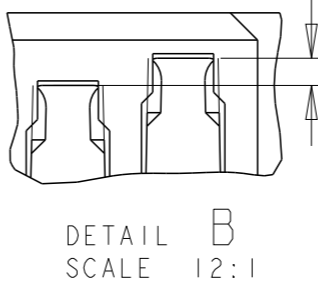
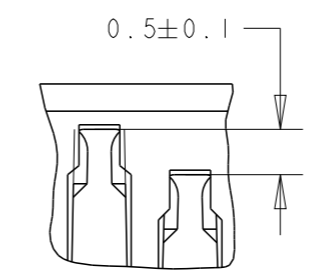
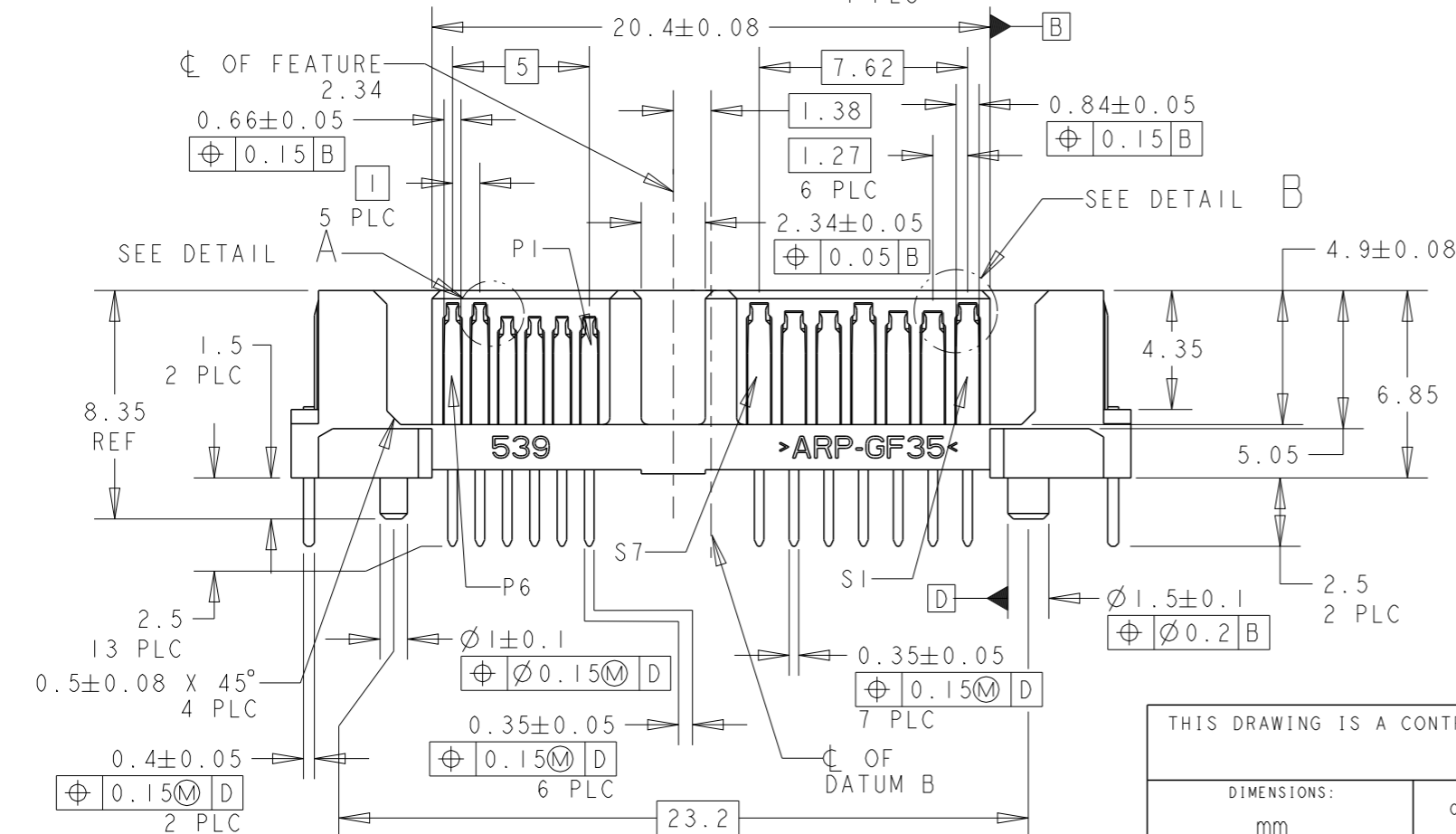
P	LTR	DESCRIPTION	DATE	DWN	APVD
A3		REVISED (ECR-13-001920)	02JUL2013	B.W	H.K



NOTES:

1 MATERIAL:
 HOUSING: HIGH TEMP THERMOPLASTIC, UL94 V-0, BLACK
 CONTACT: COPPER ALLOY
 SOLDER PEG: COPPER ALLOY

2 FINISH:
 CONTACT: "A" MIN GOLD PLATING AT MATING SIDE AND 0.05µm MIN GOLD PLATING AT SOLDER TAIL, WITH 1.27µm MIN NICKEL UNDERPLATING ALL OVER
 SOLDER PEG: 2.54µm MIN TIN PLATING AT SOLDERING SURFACE WITH 1.27µm MIN NICKEL UNDERPLATING ALL OVER

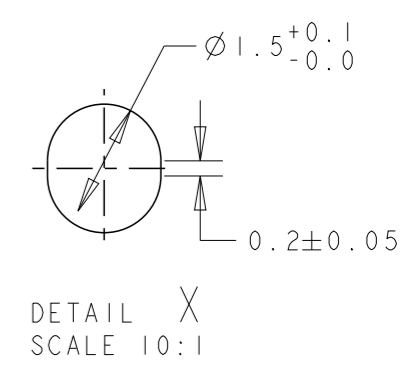
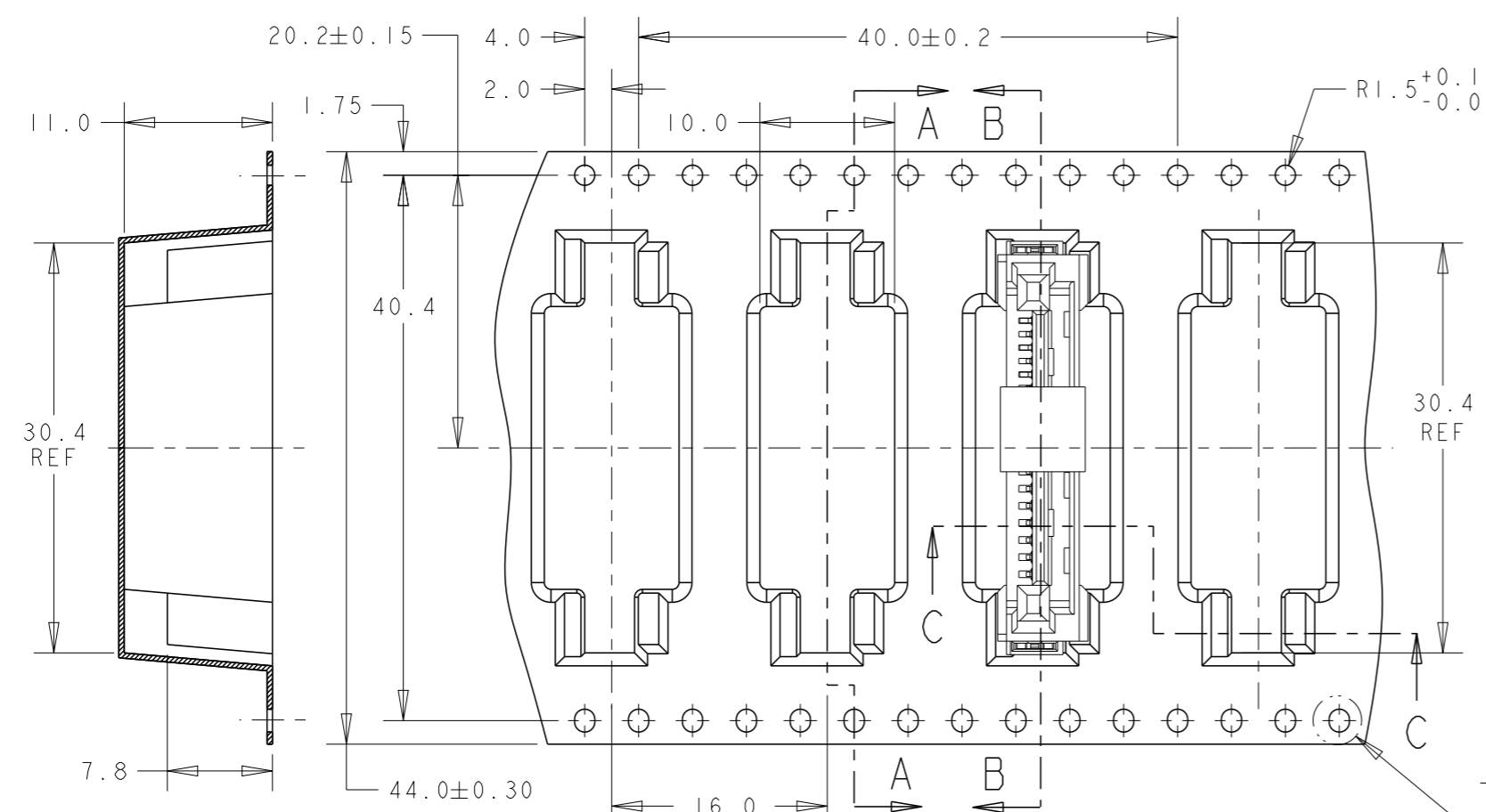


	0.76µm	1735574-3
	0.38µm	1735574-2
OBSOLETE	0.05µm	1735574-1
	"A"	PART NO.

THIS DRAWING IS A CONTROLLED DOCUMENT.		DWN KW YAP 12MAY2008	TE Connectivity		
DIMENSIONS: mm		CHK SF LEONG 02JUL2013			
TOLERANCES UNLESS OTHERWISE SPECIFIED:		APVD SF LEONG 02JUL2013	NAME -		
0 PLC ±0.2 1 PLC ±0.2 2 PLC ±0.2 3 PLC ±0.2 4 PLC ±0.2 ANGLES ±°		PRODUCT SPEC -	ASSEMBLY SLIMLINE SATA PLUG 7P+6P VERTICAL, THRU-HOLE		
MATERIAL		APPLICATION SPEC -	SIZE A3	CAGE CODE 00779	DRAWING NO 1735574
FINISH		WEIGHT -	RESTRICTED TO -		
1 2		CUSTOMER DRAWING		SCALE 4:1	SHEET 1 OF 3
				REV A3	

THIS DRAWING IS UNPUBLISHED. RELEASED FOR PUBLICATION 20
 © COPYRIGHT 20 BY - ALL RIGHTS RESERVED.

LOC	DIST	REVISIONS					
DY	-	P	LTR	DESCRIPTION	DATE	DWN	APVD
				SEE SHEET 1			

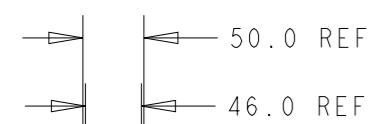
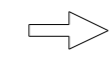


SECTION B-B
(WITH & W/O PART)

0.50±0.05
(BEFORE FORMING)

SEE DETAIL X

CUSTOMER DE-REEL DIRECTION



WIND COVER TAPE
AROUND OUTER
PERIPHERY 1 TURN

SECTION C-C

LEADER LENGTH
450mm
(W/O CHARGE)

WITH PRODUCT CHARGE

TRAILER LENGTH
400mm
(W/O CHARGE)

NOTES:

- ALL DIMENSIONS IN MM UNLESS OTHERWISE STATED
- MATERIAL: PS CLEAR, 0.5±0.05mm THICKNESS (BEFORE FORMING)
- DELIVER IN PLASTIC REEL: 375 POCKETS/REEL (300 COMPONENTS/REEL)

PEELING STRENGTH: 0.2N TO 0.7N
 PEELING ANGLE: 165° TO 180°
 PEELING SPEED: 300mm/MINUTE

THIS DRAWING IS A CONTROLLED DOCUMENT.		DWN	KW YAP		12MAY2008	 TE Connectivity	NAME - ASSEMBLY SLIMLINE SATA PLUG 7P+6P VERTICAL, THRU-HOLE					
DIMENSIONS: mm		CHK	SF LEONG		02JUL2013							
TOLERANCES UNLESS OTHERWISE SPECIFIED:		APVD	SF LEONG		02JUL2013							
0 PLC ±0.2 1 PLC ±0.2 2 PLC ±0.2 3 PLC ±0.2 4 PLC ±- ANGLES ±2°		PRODUCT SPEC	-		APPLICATION SPEC			SIZE	CAGE CODE	DRAWING NO	RESTRICTED TO	
MATERIAL		2		FINISH	-	WEIGHT	A300779C-1735574		-			
CUSTOMER DRAWING						SCALE	4:1		SHEET	3 OF 3	REV	A3