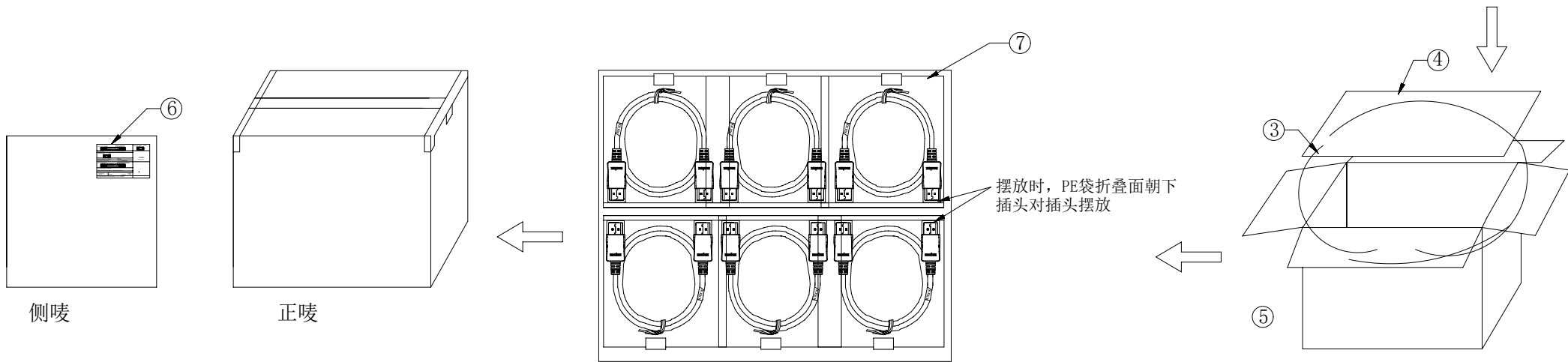
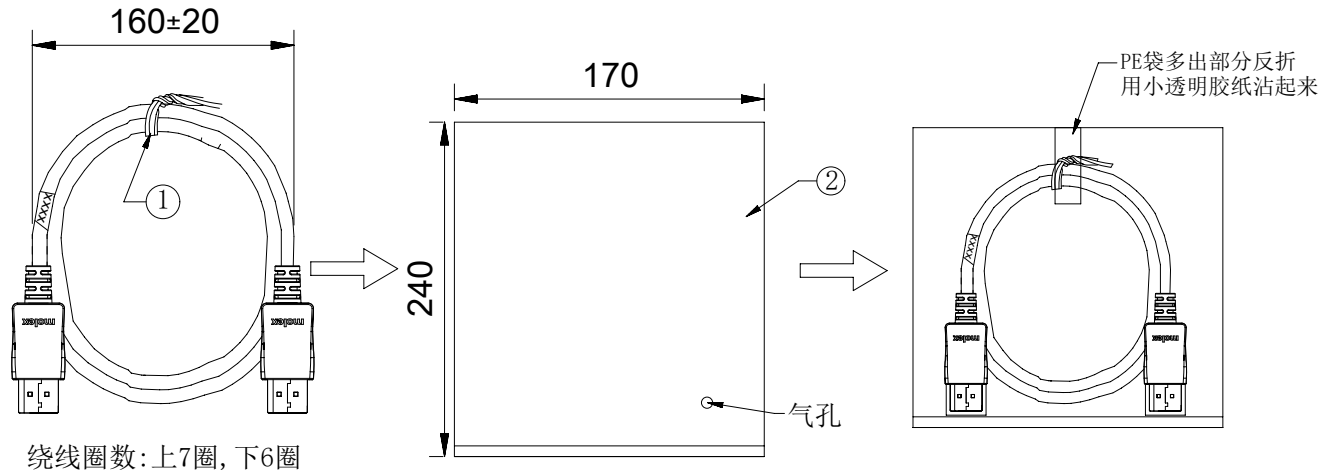


REVISIONS				
EC NO	DATE	REV	DESCRIPTION	CHANGER
NA	2021/10/28	C	ADD DUST COVER	ZYLI02
NA	2021/12/17	D	CHANGE THE SPECIFICATION OF WATERPROOF BAG	ZYLI02

装箱方式:

1. 将检验好的产品装入防尘盖, 如上图扎线
2. 将扎好线的产品单条装入PE袋内, PE袋多出部分反折用小透明胶纸沾起来;
3. 先在箱内放一个防水袋和一块隔板, 将产品整齐摆放于箱内, 25PCS一层, 层与层之间用隔板隔开, 一箱装50PCS, 放一包干燥剂, 最上面一层再放一块隔板;
4. 将防水袋折叠好, 用透明胶纸封口
5. 用封箱胶纸以工字型封箱;
6. 在外箱其中一侧唛右上角贴一出货标签
7. 外箱贴UL标签



7	干燥剂	干燥剂	1/50	PCS
6	标签	空白铜版白贴纸:L127*W76mm	1/50	PCS
5	纸箱	纸箱 : L485*W385*H230mm 材质(K=K) 红色印字	1/50	PCS
4	隔板	隔板 : 470*370*3mm 材质(B33)	3/50	PCS
3	防水袋	L1000mm*W830mm*T0.04mm (1000为开口方)	1/50	PCS
2	PE袋	L240mm*W170mm*T0.08mm (170mm为开口方) 无印字有气孔	1	PCS
1	扎带	椭圆形PE,黑色有芯扎带 L=130mm	1	PCS
NO.	PART NAME	DESCRIPTION	QTY	UNIT

FUNCTIONAL SYMBOLS	THIS DRAWING CONTAINS INFORMATION THAT IS PROPRIETARY TO MOLEX ELECTRONIC TECHNOLOGIES, LLC AND SHOULD NOT BE USED WITHOUT WRITTEN PERMISSION			
DIMENSION UNITS	SCALE	CURRENT REV DESC:		
$\frac{E}{A} = 0$	mm	1:1		
$\frac{E}{E} = 0$	GENERAL TOLERANCES (UNLESS SPECIFIED)			
$\frac{E}{P} = 0$	ANGULAR TOL ± °			
	4 PLACES	±		
	3 PLACES	±		
	2 PLACES	±		
	1 PLACE	±		
	0 PLACES	±		
DIVISIONAL SYMBOLS	EC NO: 689412		2021/12/17	
	DRWN: ZYLI02		2021/12/17	
	CHK'D: ZYLI02		2021/12/17	
	APPR: CLAN01		2021/12/17	
	INITIAL REVISION:			
	DRWN: DLI50		2018/12/21	
	APPR: CLAN01		2018/12/21	
DRAFT WHERE APPLICABLE MUST REMAIN WITHIN DIMENSIONS		THIRD ANGLE PROJECTION	DRAWING	
			A4-SIZE	
		SERIES	68783	
		MATERIAL NUMBER	687830080	
		CUSTOMER		
		SHEET NUMBER	1 OF 1	

**molex**

DISPLAYPORT TO DISPLAYPORT 1.3 3M W LATC

PACKAGING DESIGN DRAWING

DOCUMENT NUMBER	DOC TYPE	DOC PART	REVISION
687830080	PDD	PK	D

DOCUMENT STATUS	P1	RELEASE DATE	2021/12/17	04:04:53
-----------------	----	--------------	------------	----------