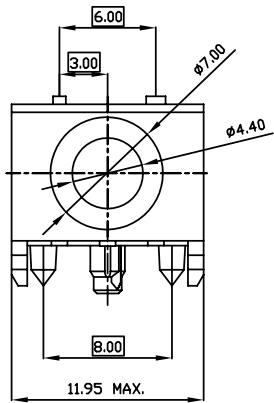
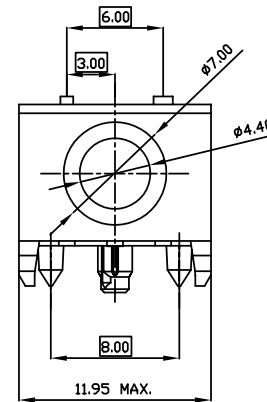
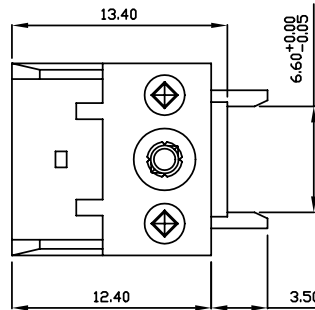
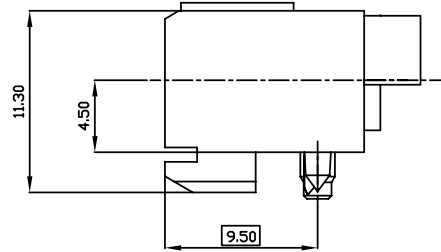


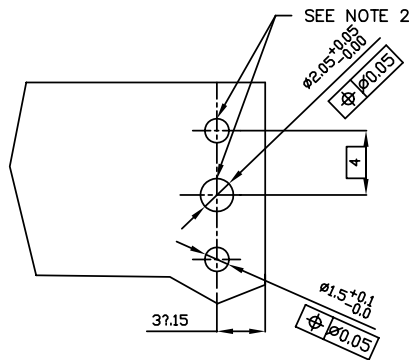
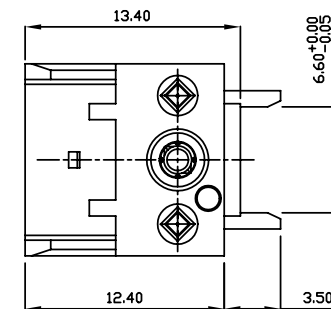
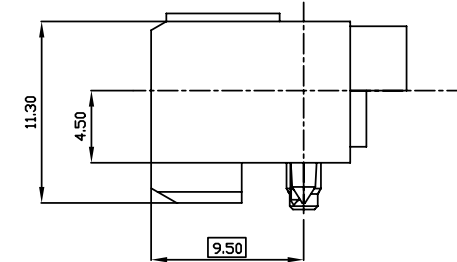
PRODUCT NUMBER	STYLE
72718-001ALF	STYLE A
72718-002ALF	STYLE B STRONG HOUSING



STYLE A
72718-001ALF



STYLE B
72718-002ALF



RECOMMENDED HOLE PATTERN,
COMPONENT SIDE. NOTE 1

NOTES:

1. PCB LAYOUT IS SHOWN FOR HOUSING REQUIREMENTS ONLY.
2. INDICATED HOLES ARE TO BE UNPLATED
3. THIS PRODUCT WITH "LF" SUFFIX MEETS EUROPEAN UNION DIRECTIVES AND OTHER COUNTRY REGULATIONS AS DESCRIBED IN GS -22-008.
4. THE HOUSING WILL WITHSTAND EXPOSURE TO 260 DEGREE PEAK TEMPERATURE FOR 20 SECONDS IN WAVE SOLDER APPLICATION WITH A 1.6 MM MINIMUM THICK CIRCUIT BOARD.

rev	ecn no	dr	date
A	V21618	CGD	10/10/02
B	V20167	GNV	021015
C	D05-0372	CLU	051007
D	N10-0381	AZH	11/09/10

www.fciconnect.com		surface ISO 1302	tolerance ISO 406 ISO 1101	projection	MM
		TOLERANCES UNLESS OTHERWISE SPECIFIED			
Dr	C.DAILY	10/10/02	ANGULAR	size	Scale
Eng	M.GRAY	10/10/02	LINEAR	A4	1:1
Chr	M.GRAY	10/10/02	0° ±2.0°	ECN	N10-0381
Appr	M.GRAY	10/10/02	Product family	METRAL	Spec ref
		title		dwg no	Rev.
		METRAL R/A COAX RECEPTACLE HOUSING		72718	D
		catalog no		CUSTOMER	sheet 1 of 1



Copyright FCI.