
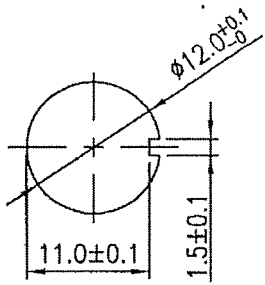
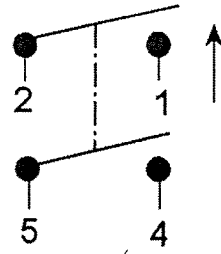


THIS INFORMATION IS CONFIDENTIAL AND PROPRIETARY TO CW INDUSTRIES INCORPORATED AND ITS AFFILIATES. IT MAY NOT BE DISCLOSED TO ANYONE, OTHER THAN CW INDUSTRIES PERSONNEL, WITHOUT WRITTEN AUTHORIZATION FROM CW INDUSTRIES INCORPORATED, SOUTHAMPTON, PENNSYLVANIA USA.

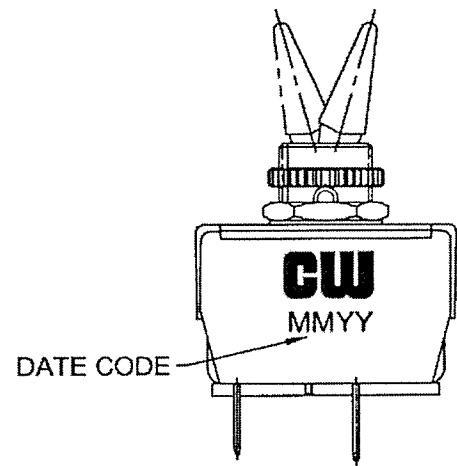
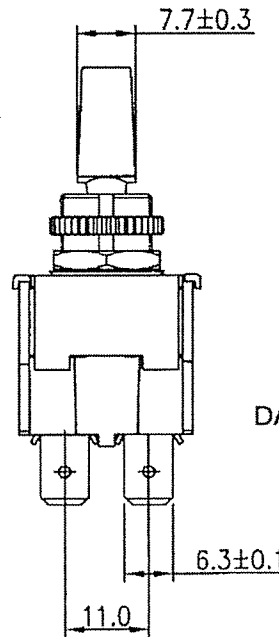
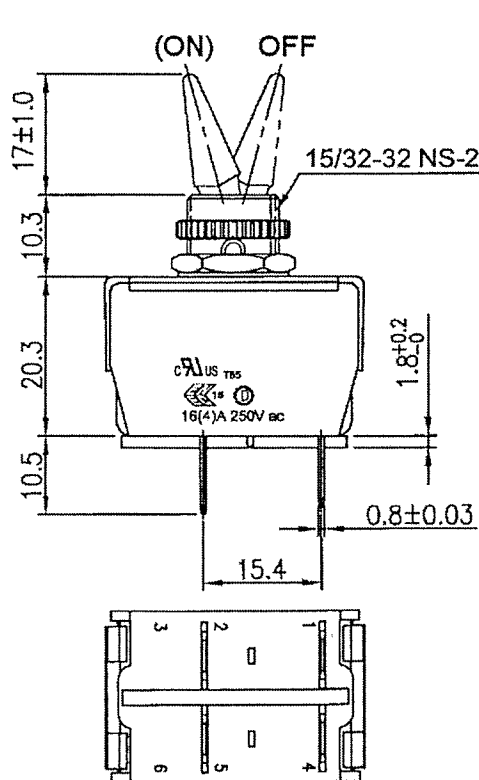
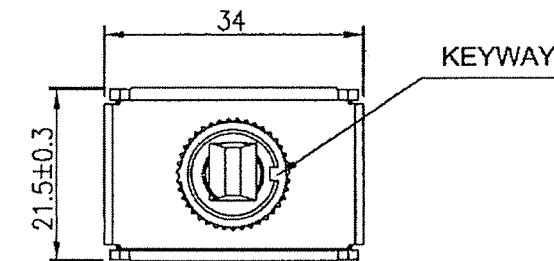
|                       |                       |   |  |   |
|-----------------------|-----------------------|---|--|---|
| Rating                | 16(4)A 250V AC        |  | Mounting Hole  | Circuit   |
|                       |                       |   |  |  |
| Contact Resistance    | 50m ohm Max.          |   |  |   |
| Insulation Resistance | DC 500V 100M ohm Min. |   |  |   |
| Dielectric Strength   | AC 1500V 1 minute     |   |  |   |
| Switch Function       | 4P DPST (ON) - OFF    |   |  |   |
| Operation Temp.       | 0° C ~ 85° C          |   |  |   |

( ) = Momentary Function

**MATERIAL:**

Frame: Nylon 6/6, Black  
 UL Flame: 94-V0  
 Lever: Nylon 66+30%GF  
 UL Flame: 94-V0  
 Terminal: Copper Alloy

Water proof and Dust Proof  
 to fit IP-56



Tolerances Unless Otherwise Specified +/-0.5.

RoHS Compliant

1 Updated material notes. 3-21-13.

**CW INDUSTRIES**  
 Southampton, Pa. 18966  
 Tel 215.355.7080/www.cwind.com

Date Drawn: 8/13/12

Rev. 1

Unit: mm

Checked By: *G. Gold*

Title:  
**TOGGLE SWITCH**

CW P/N:  
**GTS448S301AHR**