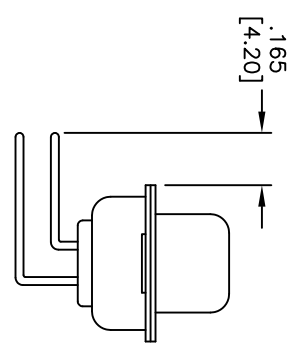
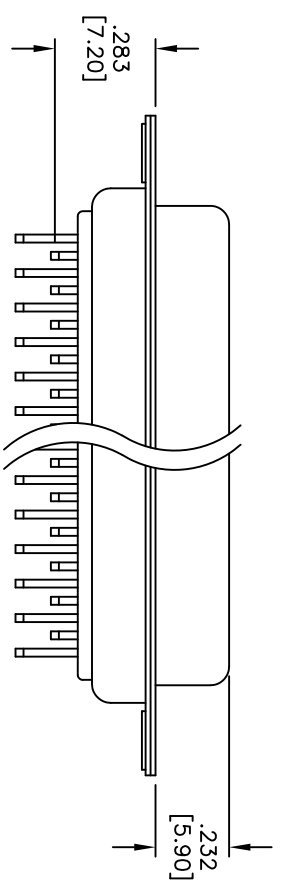
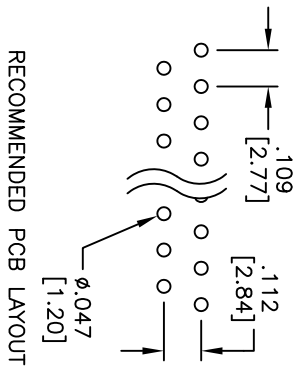
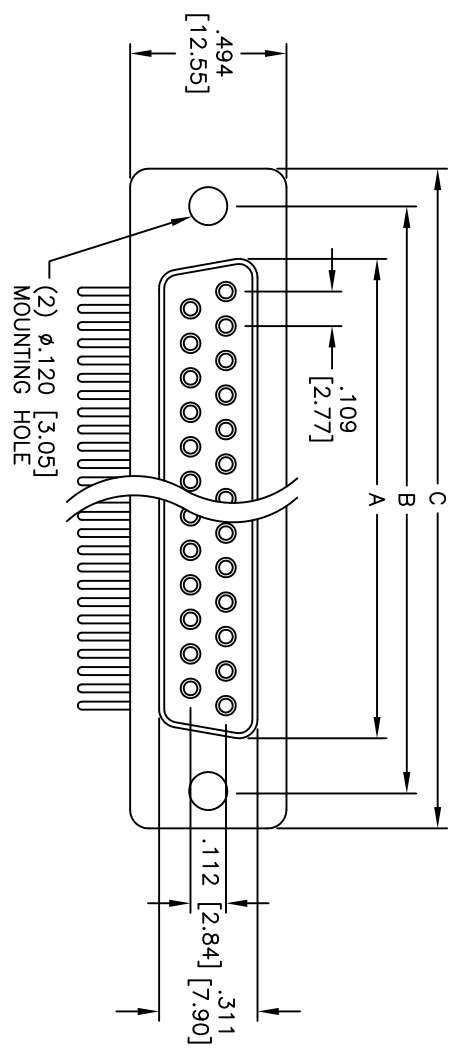


APPROVED: \_\_\_\_\_  
 DATE: \_\_\_\_\_ TITLE: \_\_\_\_\_

Rev	AWO #	Description	Date	Appr
-		RELEASED	4/22/05	
A		REVISED LAYOUT	7/3/13	



DXXX	NO. OF CONTACTS	DIMENSIONS		
		A	B	C
DE09	9	.643 [16.33]	.984 [24.99]	1.213 [30.81]
DA15	15	.971 [24.66]	1.312 [33.32]	1.541 [39.14]
DB25	25	1.511 [38.38]	1.852 [47.04]	2.088 [53.04]
DC37	37	2.159 [54.84]	2.500 [63.50]	2.729 [69.32]

**SPECIFICATIONS:**  
 Material: Insulator: PBT, glass reinforced, rated UL 94V-0  
 Insulator color: White  
 Contacts: Phosphor Bronze  
 Shell: Steel, Tin plated  
 Plating: Gold flash over Nickel underplate overall

**Electrical:**  
 Operating voltage: 250 VAC max  
 Current rating: 5 Amps max  
 Contact resistance: 20 mohms max  
 Insulation resistance: 5,000 Mohms min  
 Dielectric withstanding voltage: 1,000 VAC for 1 minute  
 Temperature Rating: Operating temperature: -65°C to +125°C  
 Environmental: Lead free, RoHS compliant

**ADAM TECH**

909 Railway Avenue, Union, NJ 07083  
 Phone: 908-687-5000 Fax: 908-687-5710

TITLE: .283 [7.20] FOOTPRINT R/A D-SUB SOCKET  
 MACHINED CONTACTS, 120 [3.05] HOLES

UNLESS OTHERWISE SPECIFIED ALL DIMENSIONS ARE INCHES [MM]		TOLERANCES: EXCEPT AS NOTED	
INCHES		Holes	
.X	± .10	Ø.X	± .10
.XX	± .020	Ø.XXX	± .015
.XXX	± .015	Ø.XXX	± .010
APPROVALS	DATE	TITLE	
DRAWN	SS	4/22/05	
CHECKED		SIZE	
APPROVED		X	
PART NO.		DXXX-SH-C1C	
SCALE: NTS		SHEET 1 OF 1	

