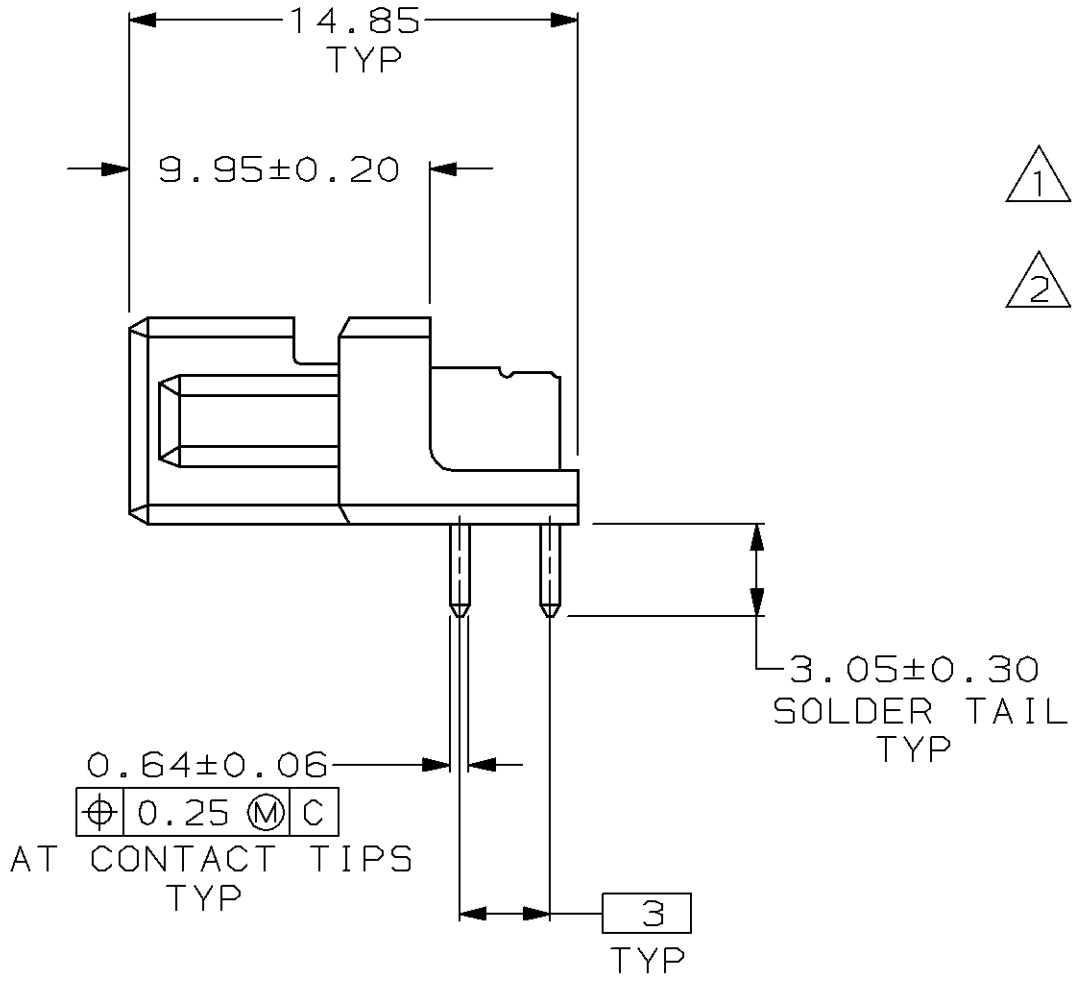
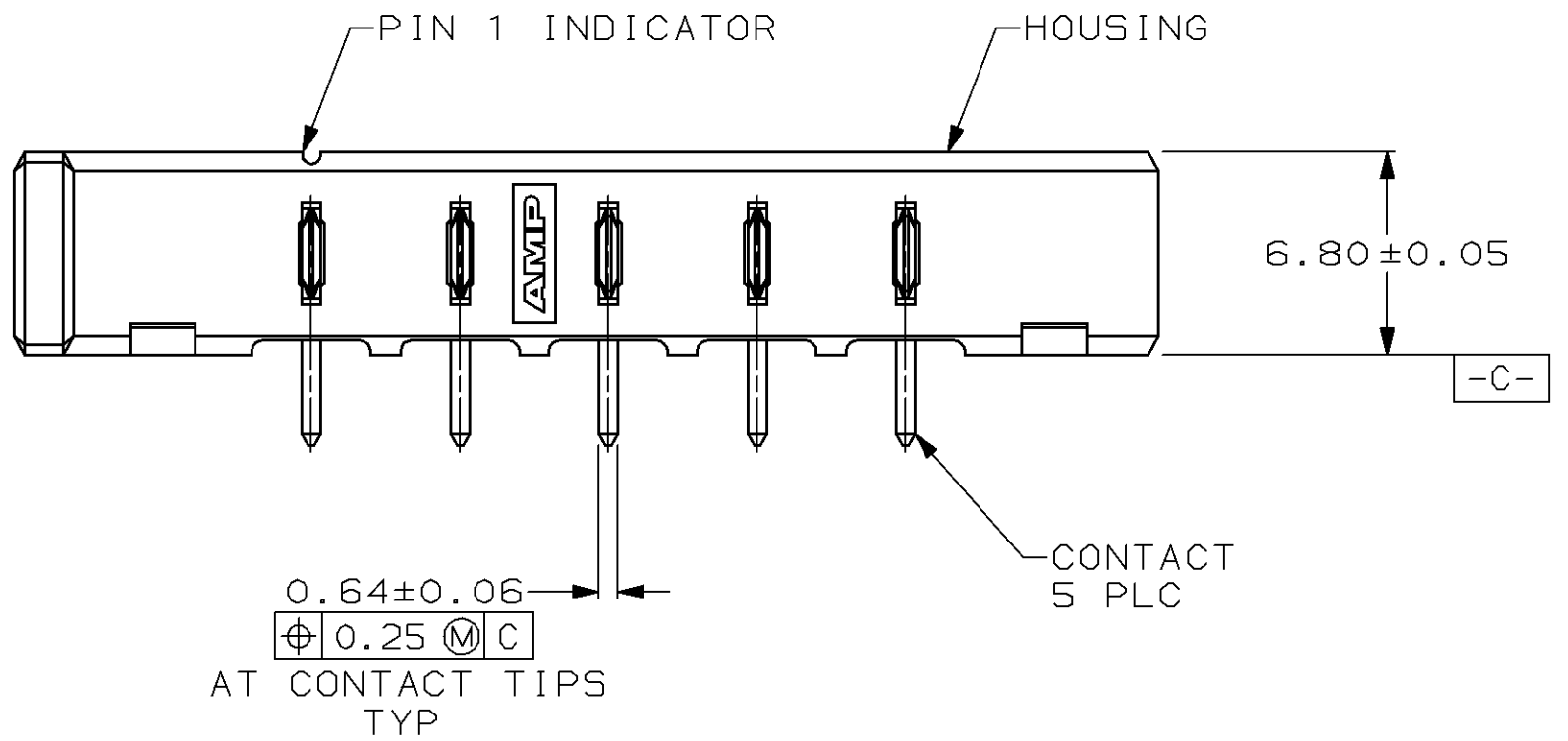
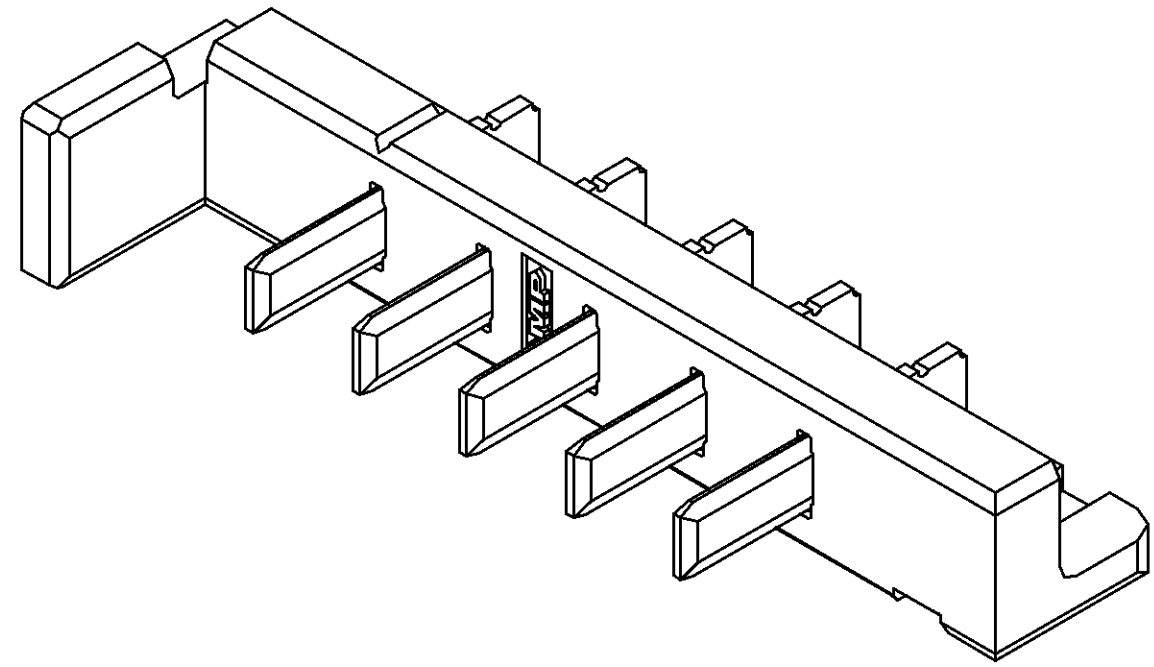
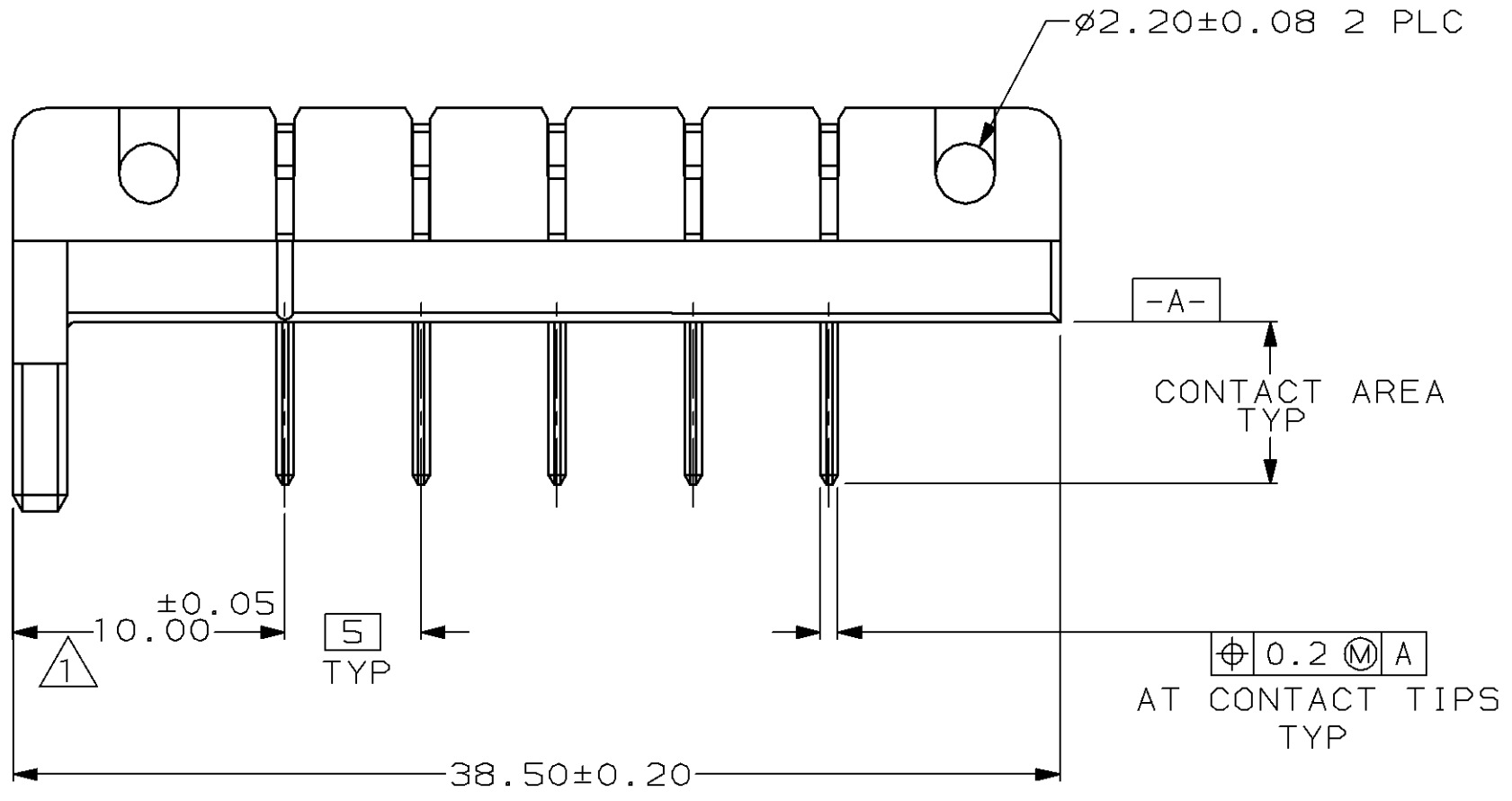
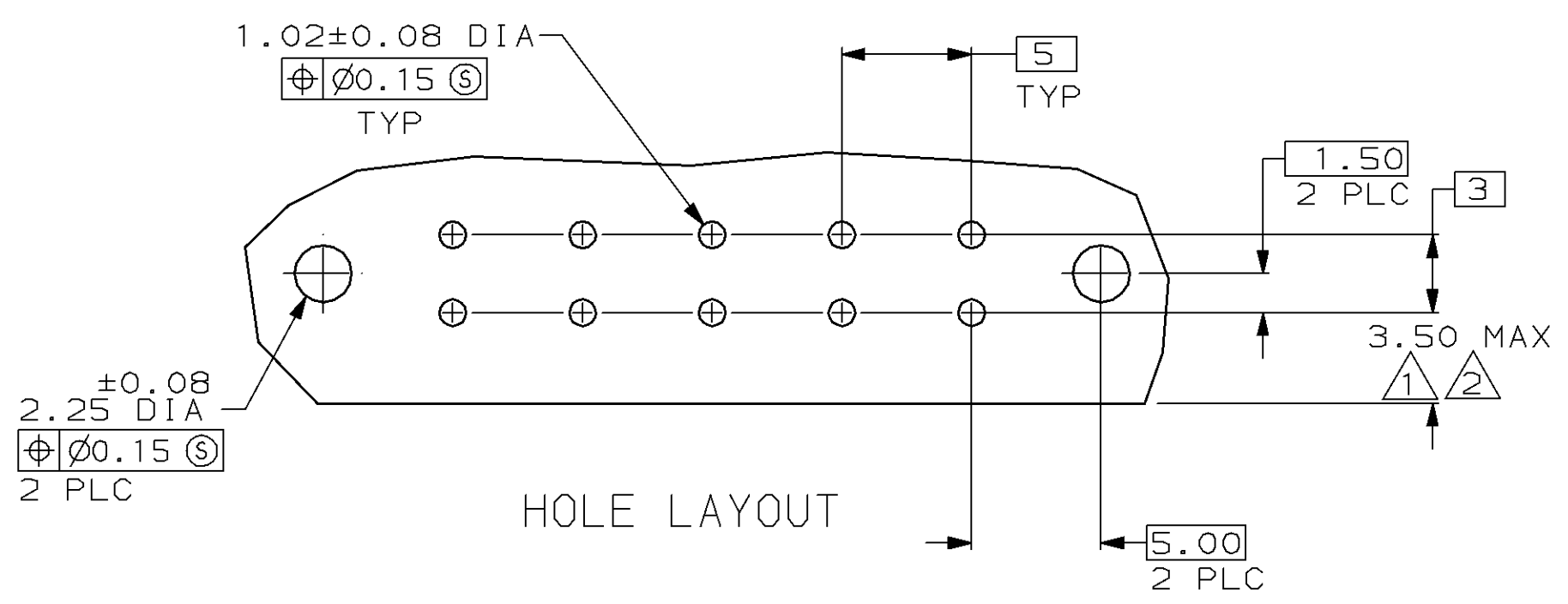


LOC	DIST	P	F	ZONE	LTR	DESCRIPTION	DATE	APPD
AD	39							
						0	RLSE PER NPR 5135, WAS 94-1878-66-1	07/05/94 RSK
						A	REV PER EC 0020-982-94	09/12/94 RSK
						B	REV PER EC 0020-1339-94	12/08/94 RK
						C	REV PER EC 0020-0657-96	12/06/96 RK



1 COORDINATE DIMENSION APPLIES FROM CENTER OF ACTUAL FEATURE.  
 2 DIMENSION CAN BE EXCEEDED FOR APPLICATIONS WHERE FINAL MATED POSITION OF PACK IS ABOVE TOP SURFACE OF PCB.



THIS DRAWING IS A CONTROLLED DOCUMENT FOR AMP INCORPORATED. IT IS SUBJECT TO CHANGE AND THE CONTROLLING ENGINEERING ORGANIZATION SHOULD BE CONTACTED FOR THE LATEST REVISION.

DO NOT SCALE PRINT. UNLESS SPECIFIED DIMENSIONS IN mm TOLERANCES ON: 2 PLC DEC $\pm 0.10$ 3 PLC DEC $\pm$ - ANGLES $\pm$ -		DR 06-07-94 G.DOUTY	787246-1 PART NO	
MATERIAL HOUSING: LCP COLOR: BLACK CONTACTS: BRASS	CHK 06-30-94 S.KLINE	APPD 06-30-94 S.KLINE	AMP AMP Incorporated Harrisburg, PA 17105-3608	
FINISH CONTACTS: 2.54 $\mu$ m MIN TIN-LEAD ON SOLDER TAIL OVER 1.90 $\mu$ m MIN NICKEL ALL OVER.	APPD 06-30-94 S.KLINE	PRODUCT SPEC -	NAME HEADER ASSEMBLY, RIGHT ANGLE, LEFT VOLTAGE KEY, 10.8V, BATTERY INTERCONNECTS	
	APPLICATION SPEC -	WEIGHT -	SIZE C	CAGE CODE 00779
			DRAWING NO G=787246	
			SCALE 4:1	SHEET 1 OF 1