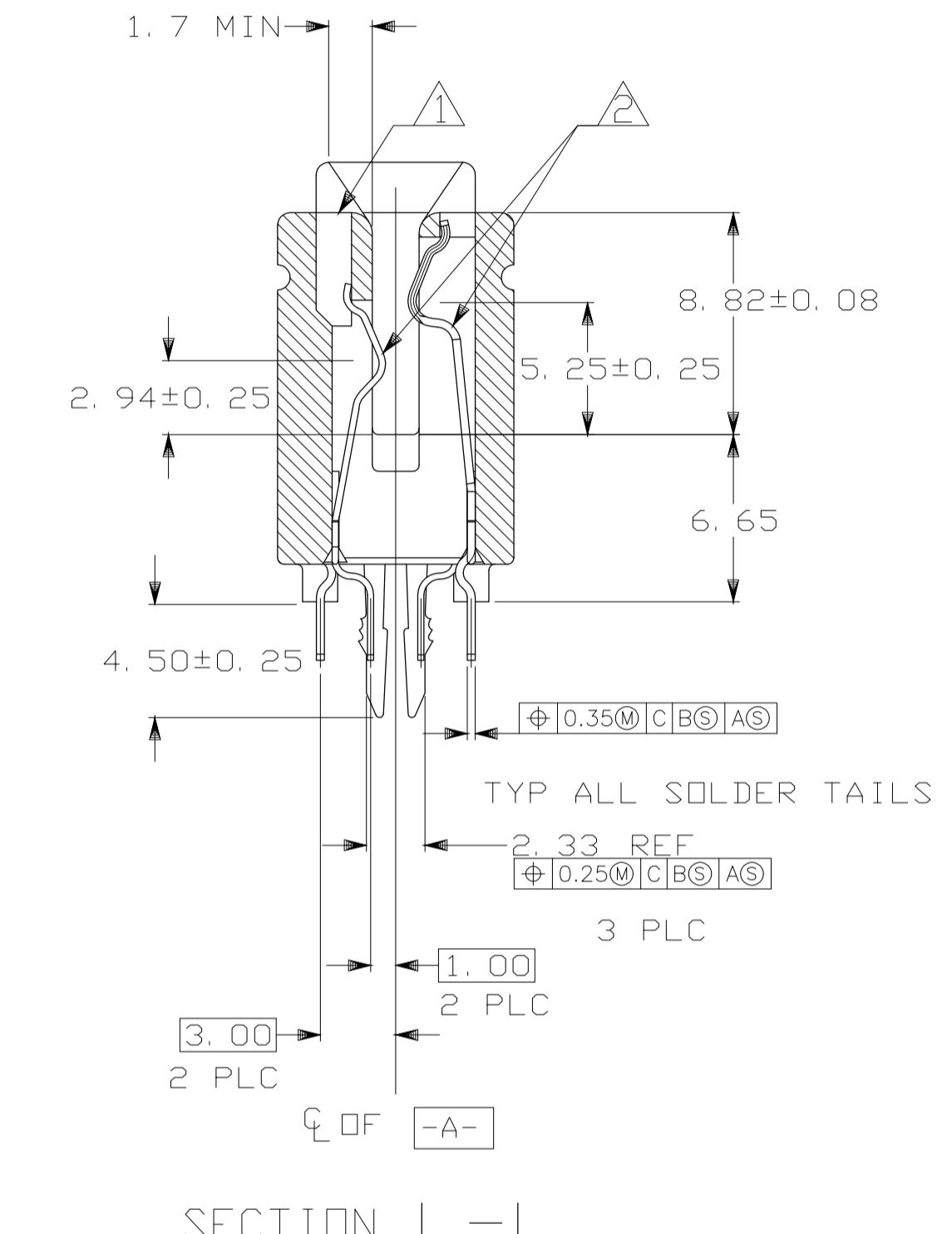
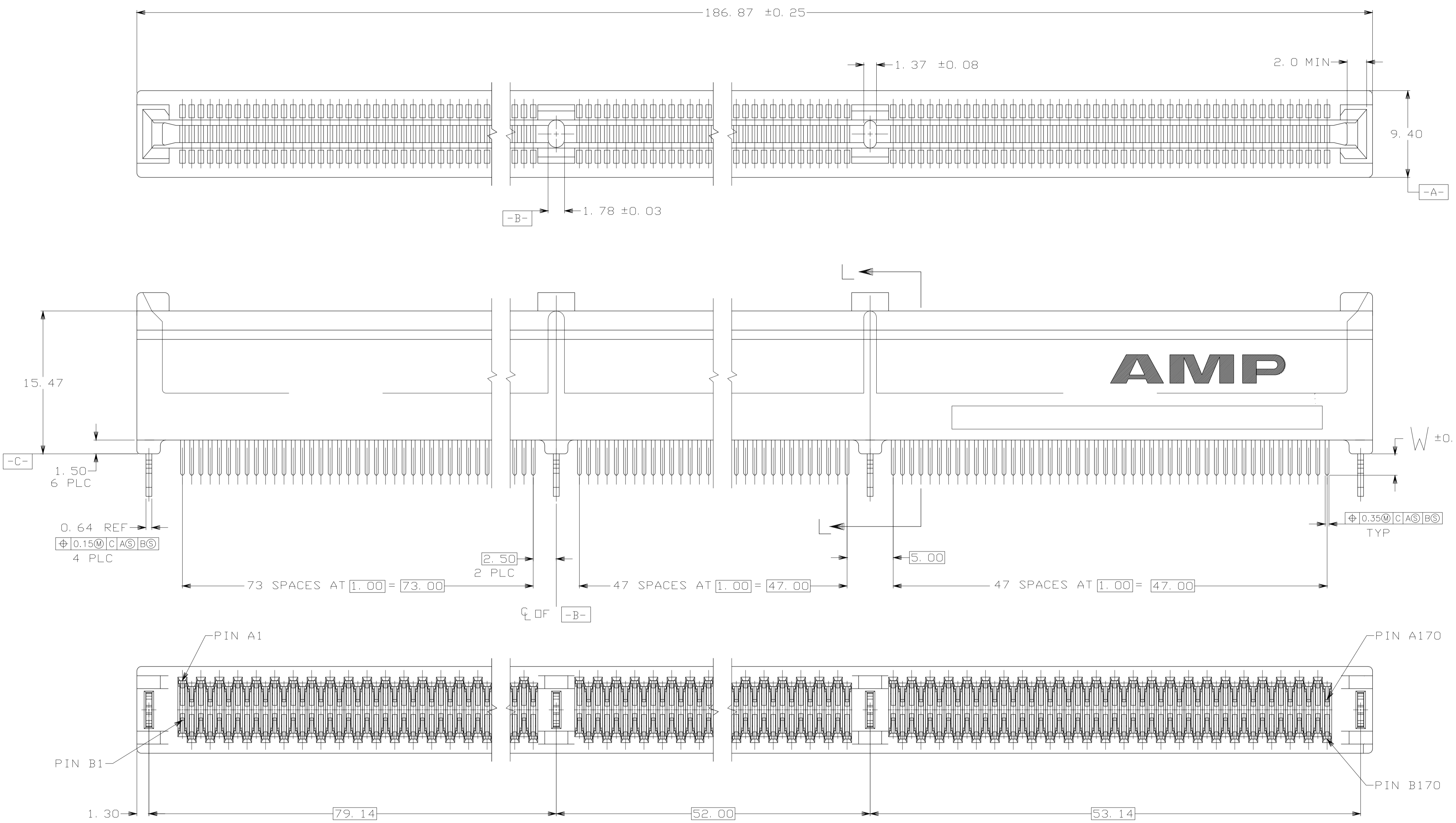


LOC		DIST		REVISIONS			
P	LTR	DESCRIPTION	DATE	DMN	APVD		
0		RELEASED ECR-05-003216	22MAR05	G.Z.	I.E.		
01		REVISED PER ECO-10-000444	19JAN10	KK	HMR		



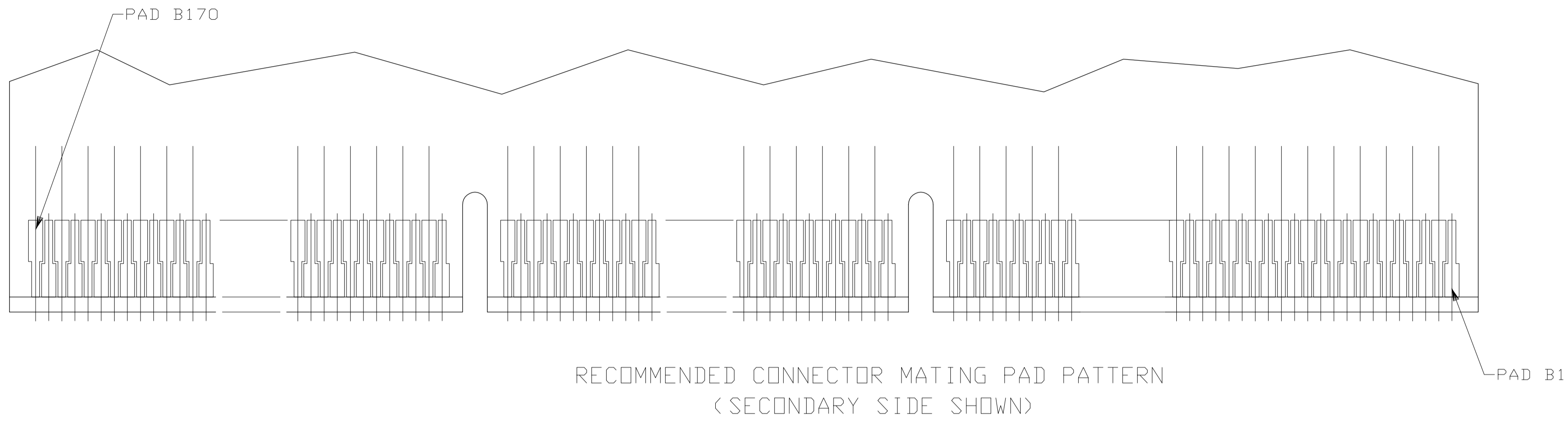
- ⚠ MATERIAL: HOUSING, THERMOPLASTIC, COLOR: BROWN.
CONTACTS, PHOSPHOR BRONZE.
HOLD-DOWNS, BRASS.
- ⚠ FINISH: CONTACTS, 1.27 MIN. MICROMETERS NICKEL ALL OVER,
0.38 MIN. MICROMETERS GOLD OVER NICKEL IN CONTACT AREA,
2.54 MIN MICROMETERS TIN OVER NICKEL ON SOLDER TAILS.
- ⚠ FINISH: CONTACTS, 1.27 MIN. MICROMETERS NICKEL ALL OVER,
0.0254-0.0762 MICROMETERS GOLD OVER NICKEL IN CONTACT AREA.
2.54 MIN. MICROMETERS TIN OVER NICKEL ON SOLDER TAILS.
- ⚠ OBSOLETE PARTS: OBSOLETE CIS STREAMLINING PER D. RENAUD/D. SINISI

4	3.18	5145275-6
OBSELETE	2.54	5145275-5
	3.18	5145275-3
	2.54	5145275-2
	2.16	5145275-1
PLATING	W	PART NO

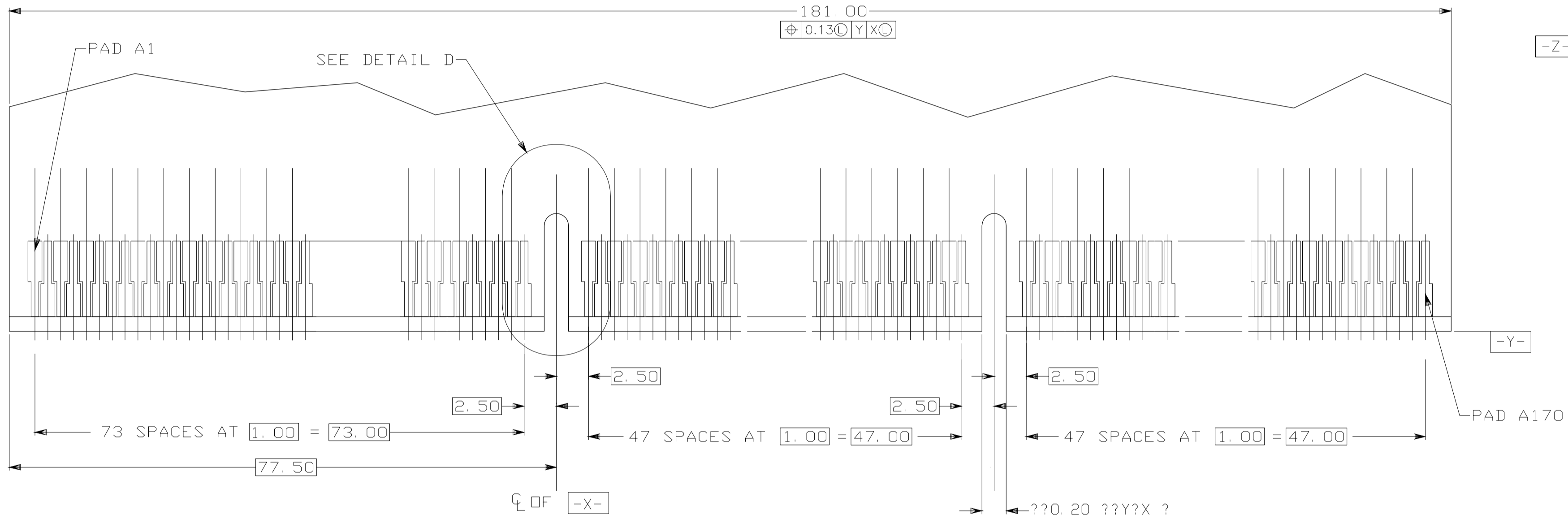
THIS DRAWING IS A CONTROLLED DOCUMENT.

DIMENSIONS:	TOLERANCES UNLESS OTHERWISE SPECIFIED:	DMN	GAVIN ZHANG	22MAR05	Tyco Electronics Corporation Shanghai, P.R.China, 200233
mm	0 PLC ± - 1 PLC ± - 2 PLC ± 0.13 3 PLC ± 0.013 4 PLC ± - ± Z ANGLES ± - ± Z	CHK	STEVEN YAO	22MAR05	
MATERIAL	FINISH	APVD	RENOMOTO	22MAR05	NAME
△	△ △	APPLICATION SPEC			ASSEMBLY, 340 POSITION 1mm, CARD EDGE CONNECTOR
		SIZE	A1	00779	C=5145275
		WEIGHT			
		CUSTOMER DRAWING		SCALE	4:1
				SHEET	1 OF 2
				REV	01

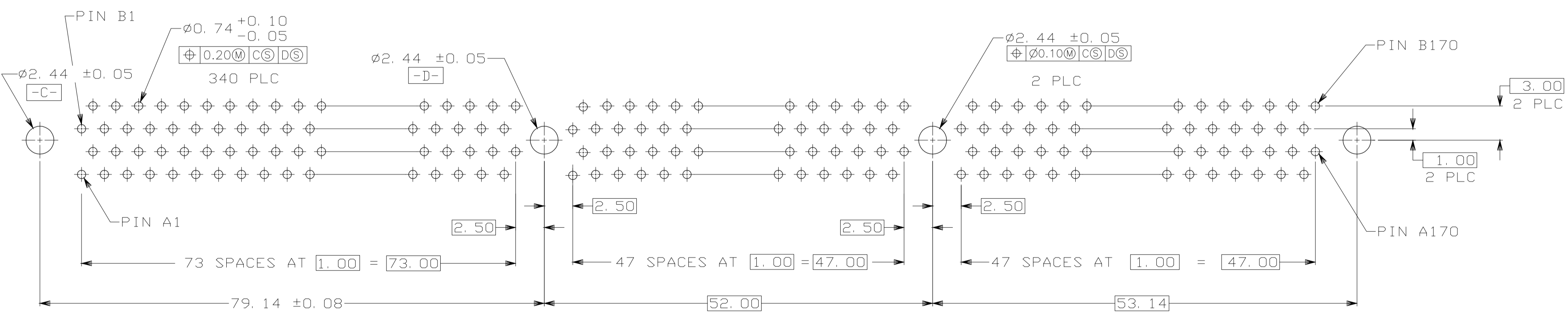
LOC		DIST		REVISIONS			
P	LTR	DESCRIPTION	DATE	DN	APVD		
-		-		SEE SHEET 1/2			



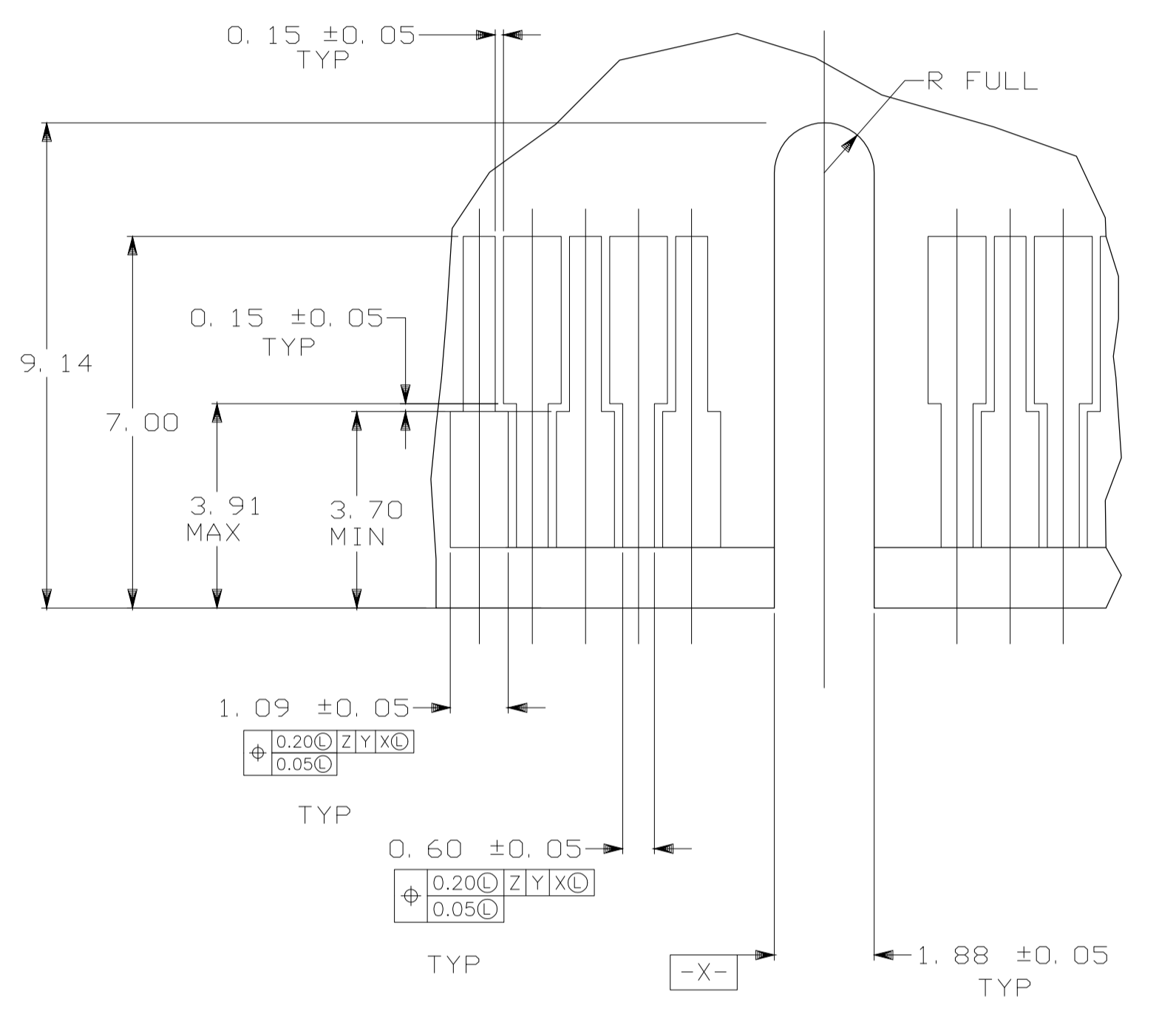
RECOMMENDED CONNECTOR MATING PAD PATTERN
 (SECONDARY SIDE SHOWN)



RECOMMENDED CONNECTOR MATING PAD PATTERN
 (PRIMARY SIDE SHOWN)



RECOMMENDED CONNECTOR MOUNTING HOLE PATTERN
 (CONNECTOR SIDE SHOWN)



DETAIL D
 SCALE 10:1

THIS DRAWING IS A CONTROLLED DOCUMENT.		DWG: GAVIN_ZHANG 22MAR05		Tyco Electronics Tyco Electronics Corporation	
DIMENSIONS: mm		CHK: STEVEN YAO 22MAR05		Shanghai, P.R.China, 200233	
TOLERANCES UNLESS OTHERWISE SPECIFIED:		APVD: IENOMOTO 22MAR05		NAME: ASSEMBLY, 340 POSITION	
0 PLC ± -		PRODUCT SPEC		1mm, CARD EDGE CONNECTOR	
1 PLC ± -		APPLICATION SPEC		SIZE: A1	
2 PLC ± 0.13		WEIGHT: -		CAGE CODE: 00779	
3 PLC ± -		CUSTOMER DRAWING		DRAWING NO: 5145275	
4 PLC ± -		SCALE: 4:1		SHEET 2 OF 2	
ANGLES ± 2'		REV: 01			