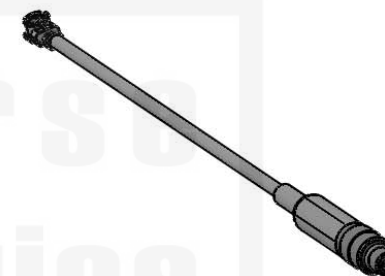
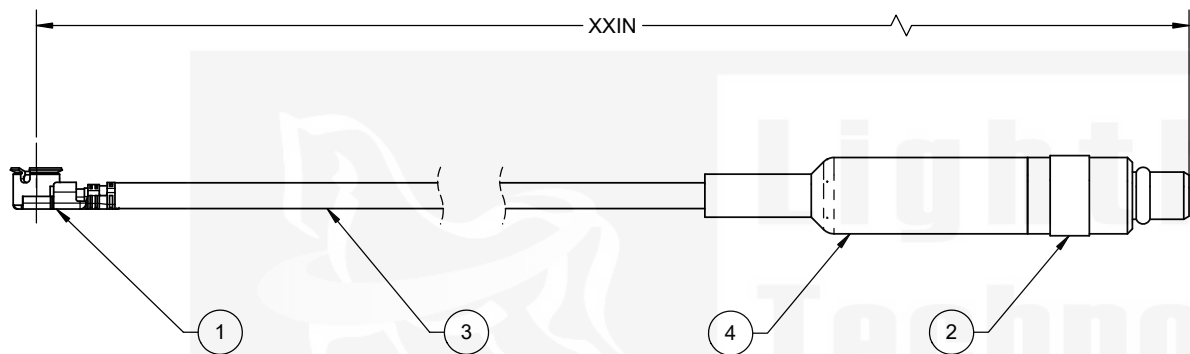


-XX IN THE ENDING OF THE CABLE PART NUMBER IS CALLING OUT THE LENGTH OF THE ASSEMBLY FROM CENTER TO MATING FLANGE OF CONNECTORS. EXAMPLES SHOWN BELOW:

LTI P/N: CB1.32D-IPX-MCMGT-4IN (4 INCHES)
 CB1.32D-IPX-MCMGT-10IN (10 INCHES)

REVISIONS				
REV	ECR	DESCRIPTION	DRAWN	DATE
1		PRODUCTION RELEASE	M. LARSEN	08/03/2022



SCALE: NONE

ITEM	PART NUMBER	DESCRIPTION	QTY
1	IPXLF11GPB-132	IPX (MHF1), RHT ANGLE, JACK, CABLE CRIMP (I-PEX 20278-112R-32)	1
2	MCSM11GT-178	MMCX, STRAIGHT, PLUG, CABLE CRIMP	1
3	1.32D MICRO COAX	CABLE, 1.32D DOUBLE SHIELDED MICRO COAX, GREEN	AR
4	1635F-1/8"	.125 (1/8) DIA, .75 LENGTH, GREEN	1

IPX® AND MHF® ARE REGISTERED TRADEMARKS OF I-PEX CO., LTD. CORPORATION

DO NOT SCALE DRAWING			Lighthouse Technologies	
TOLERANCES UNLESS OTHERWISE SPECIFIED			San Diego, CA WWW.FPCONNECTOR.COM	
DIMENSIONS ARE IN MILLIMETERS		 THIRD ANGLE PROJECTION	TITLE: CABLE ASSEMBLY,	
X = ±0.5 XX = ±0.25 XXX = ±0.13 ANGLE = ±30°			IPX (MHF1), R/A JACK, CRIMP TO MMCX, PLUG, CRIMP USING 1.32D MICRO COAX, GREEN	
CUSTOMER APPROVAL			SIZE	REV
SIGN / DATE:			B	A
ENG APPR.	P. BURDGE	08/03/2022	PART/DWG. NO:	
CHECKED	M. HELD	08/03/2022	CB1.32D-IPX-MCMGT-xxIN	
DRAWN	M. LARSEN	08/03/2022	SCALE: 4:1	FILE NAME
NAME	DATE		SHEET 1 OF 1	

PROPRIETARY AND CONFIDENTIAL

UNLESS OTHERWISE SPECIFIED: THIS DOCUMENT CONTAINS LIGHORSE TECHNOLOGIES INFORMATION. REPRODUCTION, USE, DISCLOSURE OR TRANSMITTAL OF ALL OR ANY PART OF THIS DOCUMENT IS PROHIBITED EXCEPT TO THE EXTENT APPROVED IN WRITING BY AN AUTHORIZED REPRESENTATIVE OF LIGHORSE TECHNOLOGIES. LIGHORSE TECHNOLOGIES RESERVES ALL RIGHTS UNDER PATENTS, TRADEMARKS, COPY RIGHTS AND TRADE SECRETS. COPY RIGHTS OF LIGHORSE TECHNOLOGIES 2011, ALL RIGHTS RESERVED.



6 5 4 3 2 1