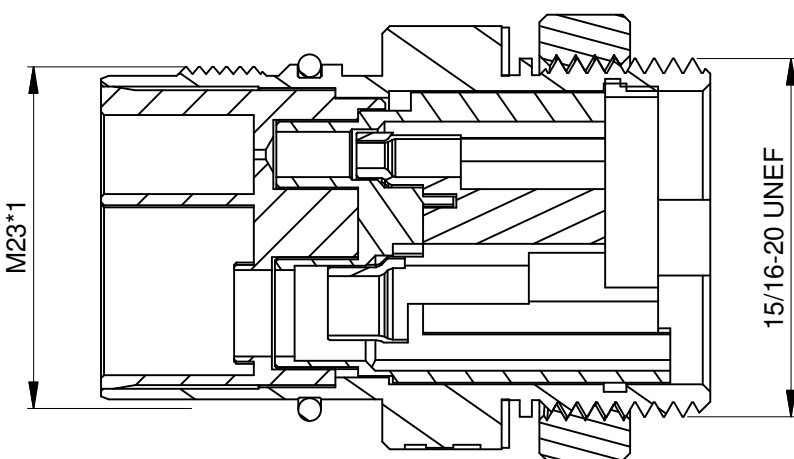
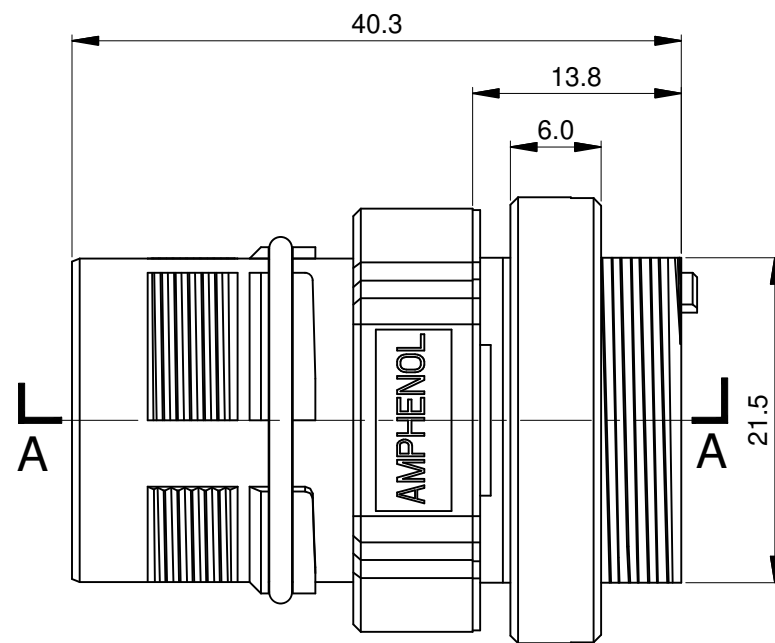


MOUNTING HOLES



SECTION A-A

REVISIONS					
REV	ECO	DESCRIPTION	DATE	BY	APPR
B1	-	RELEASE NEW DWG FORMAT	05/10/14	DRACK	
B2	-	ADDED PIN NUMBERS	08DEC15	MRF	

NOTES: UNLESS OTHERWISE SPECIFIED

- MATERIAL:  
 INSULATION INSERT: PBT, UL94 V0  
 SEAL: VITON  
 HOUSING BODY: ZINC DIE CAST, NICKEL PLATED  
 COUPLING NUT: COPPER ALLOY, NICKEL PLATED
- SPECIFICATIONS:
  - CURRENT RATING: SIGNAL: 1 AMPS  
 POWER: 18 AMPS  
 QUAD ELEMENT: 0.5 AMPS
  - VOLTAGE RATING: SIGNAL: 850V AC/DC  
 POWER: 850V AC/DC  
 QUAD ELEMENT: 30V AC/DC
  - OPERATING TEMPERATURE: -20°C TO +130°C
  - DIELECTRIC WITHSTANDING VOLTAGE: LESS THAN 2 MILLIAMPS CURRENT LEAKAGE @ SIGNAL: 1500 VOLTS AC.  
 POWER: 6000 VOLTS AC.  
 QUAD ELEMENT: 500 VOLTS AC.
  - DEGREE OF PROTECTION: IP67 ( MATED CONDITION )
  - DEGREE OF POLLUTION: 3 PER UL840
  - OVERVOLTAGE CATEGORY: III PER UL840
  - MATING CYCLE DURABILITY: >500 CYCLES
  - RoHS COMPLIANT
- ALL DIMENSIONS ARE FOR REFERENCE USE ONLY.

TITLE: RECEPTACLE, STRAIGHT, PANEL MOUNT, HYBRID, THREADED  
 DWG NO: MB1YSN8H00  
 REV: B2  
 SH: 1  
 OF: 1

QUANTITY	SEE PART NUMBER CHART PART NUMBER	DESCRIPTION	ITEM
<b>MATERIALS LIST</b>			
UNLESS OTHERWISE SPECIFIED 1) All dimensions are in metric (mm). 2) Tolerances are as follows: 1 PL DEC ±0.30 2 PL DEC ±0.15 3 PL DEC ±0.08 Fractions ±1/64 Angles ±1° 3) Note reference =		SIGNATURES DRAWN: Drack CHECKED: ENGINEER: APPROVAL:	DATE 05/10/14
MATERIAL SPECIFICATIONS:		<div style="text-align: center;"> <h1>Amphenol</h1> <p>Sine Systems - www.amphenol-sine.com            44724 Morley Drive            Clinton Township, MI 48036</p> </div>	
PROCESS SPECIFICATIONS:			
NEXT ASSY:		THIS DRAWING IS SUPPLIED FOR INFORMATION ONLY. DESIGN FEATURES, SPECIFICATIONS AND PERFORMANCE DATA SHOWN HEREON ARE THE PROPERTY OF THE AMPHENOL CORPORATION. NO RIGHTS OF REPRODUCTION ARE IMPLIED. ALL DIMENSIONS ARE SUBJECT TO NORMAL MANUFACTURING VARIATIONS.	
		CUSTOMER:  THIS DRAWING IS SUPPLIED FOR INFORMATION ONLY. DESIGN FEATURES, SPECIFICATIONS AND PERFORMANCE DATA SHOWN HEREON ARE THE PROPERTY OF THE AMPHENOL CORPORATION. NO RIGHTS OF REPRODUCTION ARE IMPLIED. ALL DIMENSIONS ARE SUBJECT TO NORMAL MANUFACTURING VARIATIONS.	RECP, ST, PANEL MOUNT, HYBRID, THRD'D  SIZE: <b>B</b> TYPE: <b>C-</b> DWG NO: <b>MB1YSN8H00</b> REVISION: <b>B2</b> SCALE: NONE SHEET 1 OF 1