

■ Features

- Single output from 36W
- 100-240Vac Universal Input
- Certificates: UL, CE
- Frequency: 50-60Hz
- Ripple: 150mV
- SCP & OCP
- Input Plug: US
- Efficiency Level: VI
- Dimension: 82.7x45.3x37mm(exclude plug)



■ Application

- Consumer electronics, Telecom and office equipment
- Industrial equipment

*Product images are for illustrative purposes only and may vary from actual design.

■ Model List

Custom Designs Available!

Model	Output Voltage	Output Current	Power	Certifications
WM036Q-050-X-XX	5V	7.2A	36W	UL, CE
WM036Q-060-X-XX	6V	6A	36W	UL, CE
WM036Q-070-X-XX	7V	5.14A	36W	UL, CE
WM036Q-090-X-XX	9V	4A	36W	UL, CE
WM036Q-120-X-XX	12V	3A	36W	UL, CE
WM036Q-150-X-XX	15V	2.4A	36W	UL, CE
WM036Q-180-X-XX	18V	2A	36W	UL, CE
WM036Q-240-X-XX	24V	1.5A	36W	UL, CE

■ Technical Data

Input Voltage	100-240Vac
Input Frequency	50/60Hz
Input Current	1A max
Inrush Current	25°C cold start at 240Vac
Leakage Current	0.25mA Max. at 240Vac input
Line Regulation	±2%
Load Regulation	±5%
Ripple and Noise	150mVp-p
Turn on delay time	3s
Rise time	40mS
Hold up time	5mS

Technical Sales / Customer Service: +1-818-338-7788 • Email: sales@autec.com
 31328 Via Colinas Suite 102 • Westlake Village, CA 91362 USA • www.autec.com

April 19, 2019

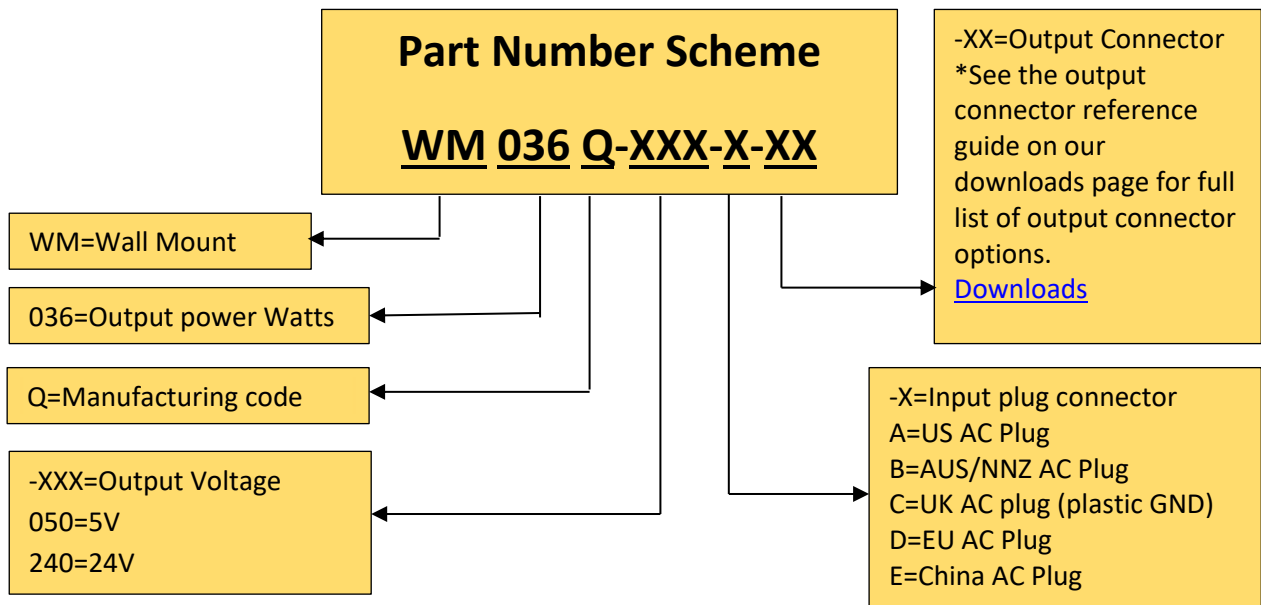
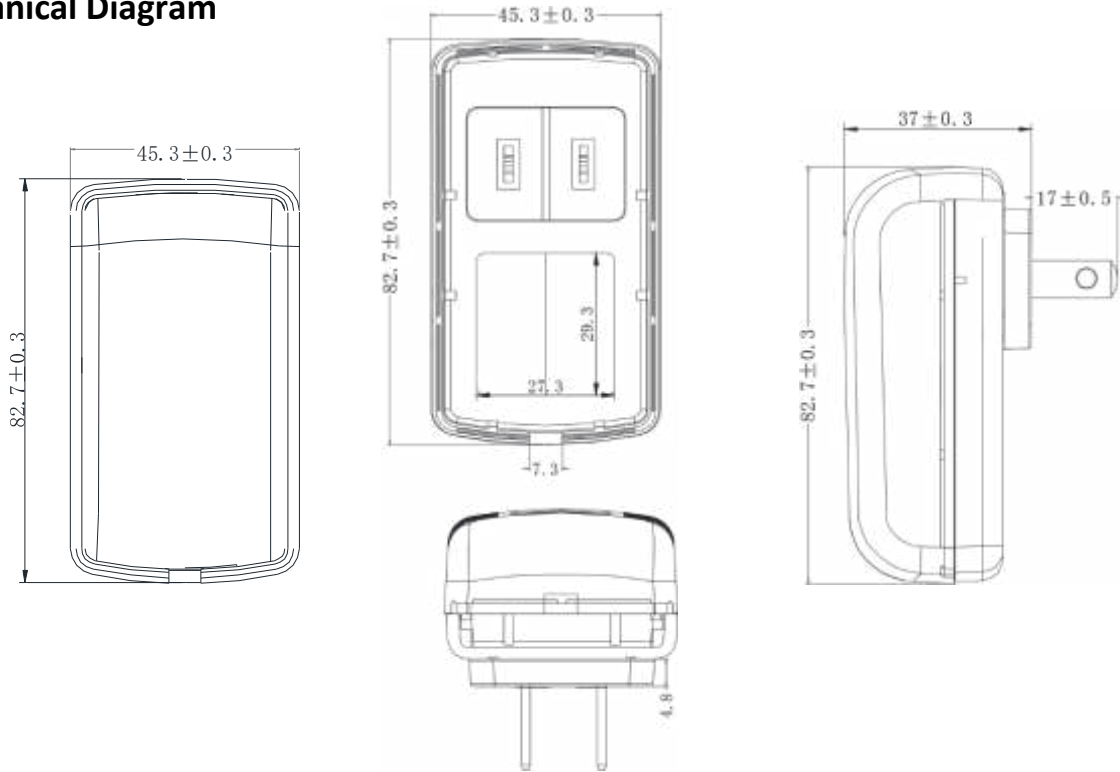
■ **Technical Data(cont.)**

Efficiency	87%; Level VI
Overshoot	15% Max, when power supply is turned of/on
Standby Power	0.1W Max at 115Vac
Short Circuit Protection	Auto recovery when short circuit fault is removed
Over Current Protection	Auto recovery when over current fault is removed
Operating Temperature	0°C to 40°C, Full load
Storage Temperature	-20°C to 80°C
Relative Humidity	5%(0°C) ~90%(40°C)RH, 72hrs, full load
Vibration	IEC 721-3-3 3M3
Dimensions LxWxH	60x39x34mm 2.36x1.5x1.3in
Packing	96Pcs/ Carton; Carton size 490x340x310mm

■ **Safety and EMI Standard**

Safety	UL1310
Dielectric Strength Hi-Pot Primary to secondary	4242Vdc/5mA/60S
Insulation resistance Primary to secondary	20MΩ min at 500V
EMI Standard	FCC part15 class B rules, EN55032 class B Rules, GB17625.1-2012; AS/NZS CISPR32:2015, IEC61000-4-5, IEC61000-4-2.

■ Mechanical Diagram



*Product images are for illustrative purposes only and may vary from actual design.

*Specifications are subject to change without notice. Autec is not responsible for issues arising from errors or omissions.

Technical Sales / Customer Service: +1-818-338-7788 • Email: sales@autec.com

31328 Via Colinas Suite 102 • Westlake Village, CA 91362 USA • www.autec.com

April 19, 2019