

345808-1 ✓ ACTIVE

AMP | Econoseal III - 070

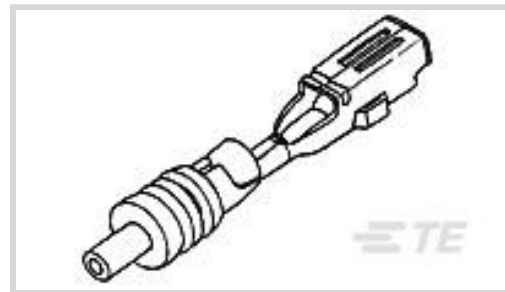
TE Internal #: 345808-1

Automotive Terminals, Receptacle, Mating Tab Width 1.8 mm [.07 in], Tab Thickness .64 mm [.024 in], 24 – 20 AWG Wire Size, Econoseal III - 070

[View on TE.com >](#)



Terminals & Splices > Automotive Terminals



Terminal Type: **Receptacle**

Mating Tab Width: **1.8 mm [.07 in]**

Mating Tab Thickness: **.64 mm [.024 in]**

Wire Size: **.2 – .5 mm²**

Features

Product Type Features

Sealable	No
----------	----

Contact Features

Contact Size	1.8mm
Contact Fabrication	Stamped & Formed
Crimp Type	F-Crimp
Terminal Type	Receptacle
Mating Tab Width	1.8 mm[.07 in]
Mating Tab Thickness	.64 mm[.024 in]
Interface Plating	Tin (Sn)

Termination Features

Termination Method to Wire & Cable	Crimp
Product Terminates To	Wire & Cable

Dimensions

Wire Size	.2 – .5 mm ²
Tab Length	16.5 mm[.65 in]

Usage Conditions

Insulation Option	Uninsulated
-------------------	-------------

Packaging Features

--	--



Packaging Quantity	6000
Packaging Method	Reel

Product Compliance

[For compliance documentation, visit the product page on TE.com>](#)

EU RoHS Directive 2011/65/EU	Compliant
EU ELV Directive 2000/53/EC	Compliant
China RoHS 2 Directive MIIT Order No 32, 2016	No Restricted Materials Above Threshold
EU REACH Regulation (EC) No. 1907/2006	Current ECHA Candidate List: JUNE 2023 (235) Candidate List Declared Against: JUNE 2023 (235) Does not contain REACH SVHC
Halogen Content	Low Halogen - Br, Cl, F, I < 900 ppm per homogenous material. Also BFR/CFR/PVC Free
Solder Process Capability	Not applicable for solder process capability

Product Compliance Disclaimer

This information is provided based on reasonable inquiry of our suppliers and represents our current actual knowledge based on the information they provided. This information is subject to change. The part numbers that TE has identified as EU RoHS compliant have a maximum concentration of 0.1% by weight in homogenous materials for lead, hexavalent chromium, mercury, PBB, PBDE, DBP, BBP, DEHP, DIBP, and 0.01% for cadmium, or qualify for an exemption to these limits as defined in the Annexes of Directive 2011/65/EU (RoHS2). Finished electrical and electronic equipment products will be CE marked as required by Directive 2011/65/EU. Components may not be CE marked. Additionally, the part numbers that TE has identified as EU ELV compliant have a maximum concentration of 0.1% by weight in homogenous materials for lead, hexavalent chromium, and mercury, and 0.01% for cadmium, or qualify for an exemption to these limits as defined in the Annexes of Directive 2000/53/EC (ELV). Regarding the REACH Regulation, the information TE provides on SVHC in articles for this part number is based on the latest European Chemicals Agency (ECHA) 'Guidance on requirements for substances in articles' posted at this URL: <https://echa.europa.eu/guidance-documents/guidance-on-reach>

Compatible Parts



TE Part # CAT-EC7491-CH8172
ECONOSEAL, CONNECTOR HOUSING



TE Part # 344273-1
3 WAY REC. HSG. SIL. SEALECONO



TE Part # 1-1579007-5
EXTRACTION TOOL



TE Part # 2-2151105-2
OCEAN_2.0_Applicator-S-062F134O




TE Part # 2-2151940-1
OC-PA-S-FM-062F140SC-001-0026



TE Part # 2-2151940-2
OC-PA-S-FA-062F140SC-001-0026



TE Part # 2151105-1
OCEAN_2.0_Applicator-S-062F134O



TE Part # 2151105-2
OCEAN_2.0_Applicator-S-062F134O



TE Part # 2151940-1
OC-AT-S-FM-062F140SC-001-0026



TE Part # 2151940-2
OC-AT-S-FA-062F140SC-001-0026



TE Part # 5-2151105-1
OCEAN_2.0_Applicator-S-062F134O



TE Part # 5-2151105-2
OCEAN_2.0_Applicator-S-062F134O



TE Part # 7-2151105-1
OCEAN_2.0_Applicator-S-062F134O



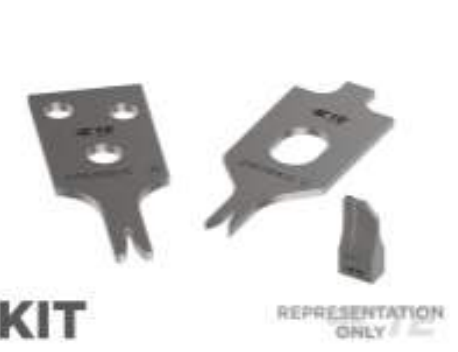
TE Part # 7-2151105-2
OCEAN_2.0_Applicator-S-062F134O



TE Part # 7-2151105-7
OCEAN_2.0_SPARE_PART_KIT-062F134O

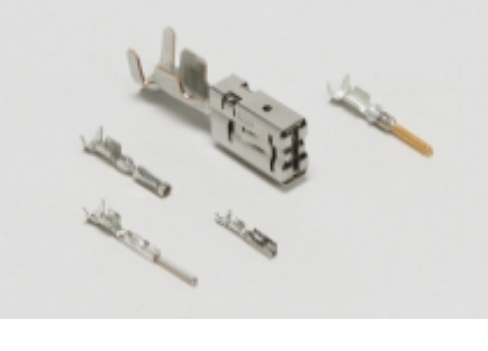


TE Part # 7-2151940-7
OC-062F140SC-CRIMPTOOLINGKIT




TE Part # 7-2836125-7
OC-062F134O-752-CRIMPTOOLINGKIT

Also in the Series | Econoseal III - 070



Automotive Terminals(1)

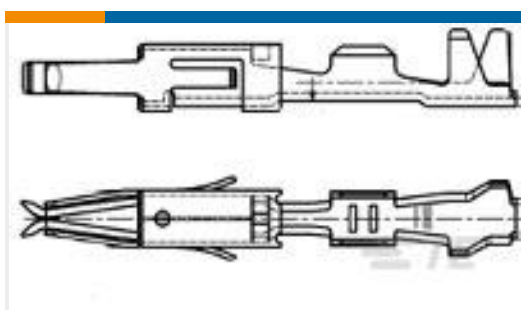


Connector Seals & Cavity Plugs(3)

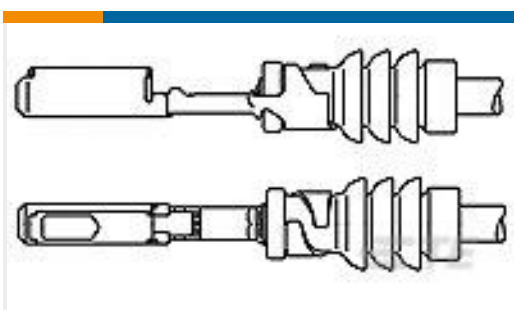
Customers Also Bought



TE Part #284442-1
PLUG FOR MQS 12 POS. COLOUR BL



TE Part #962875-2
MT2 REC 1.6 Contact SWS Sn



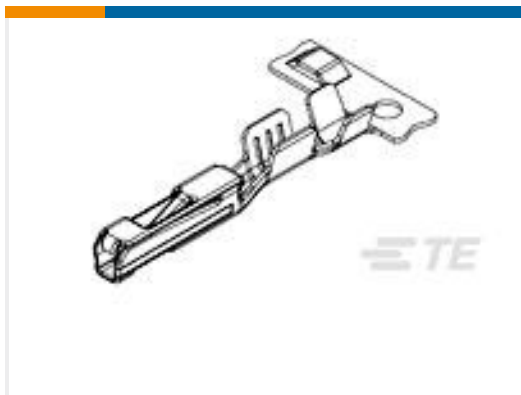
TE Part #1703032-1
MQS0,63 Sn rec CB EDS 0,5-0,75



TE Part #1745032-1
2 POS. MCP2.8 CONNECTOR FOR
IGNITION KEY



TE Part #4-1488991-1
3POS, MCON 1.2 CB REC 2p TL
SEALED



TE Part #1326028-2
0.64MM FEMALE CONTACT,AU,
22AWG



TE Part #2236048-1
KIT SEC.LOCK FOR 32 WAYS CONN.



TE Part #284321-1
12 POS.MQS SHELL FOR STEERING



TE Part #284443-7
COVER + LEVER FOR 12 POS M.Q.S



TE Part #2098963-1
30 WAY SHIELD ASSEMBLY, KEY AD

Documents

Product Drawings

[.070" RECEPTACLE ECON.3](#)

English

CAD Files

Customer View Model

[ENG_CVM_345808-1_A.3d_igs.zip](#)

English

Customer View Model

[ENG_CVM_345808-1_A.3d_stp.zip](#)

English

Customer View Model

[ENG_CVM_345808-1_A.2d_dxf.zip](#)

English

[3D PDF](#)

English

By downloading the CAD file I accept and agree to the [Terms and Conditions](#) of use.

Product Specifications



Application Specification

English