

MODEL ENC3 - NEMA 1 UTILITY ENCLOSURE

PROVIDE A COMPACT, MACHINE, DESK-TOP, OR SHELF MOUNT FOR PANEL MOUNTED UNITS



- HEAVY GAUGE STEEL CONSTRUCTION
- READY TO INSTALL PREPUNCHED PANEL
- WITH OR WITHOUT KEY LOCK
- EASY TO ASSEMBLE AND WIRE
- REAR KNOCKOUTS FOR CONDUIT OR CABLE
- ATTRACTIVE COMPACT DESIGN

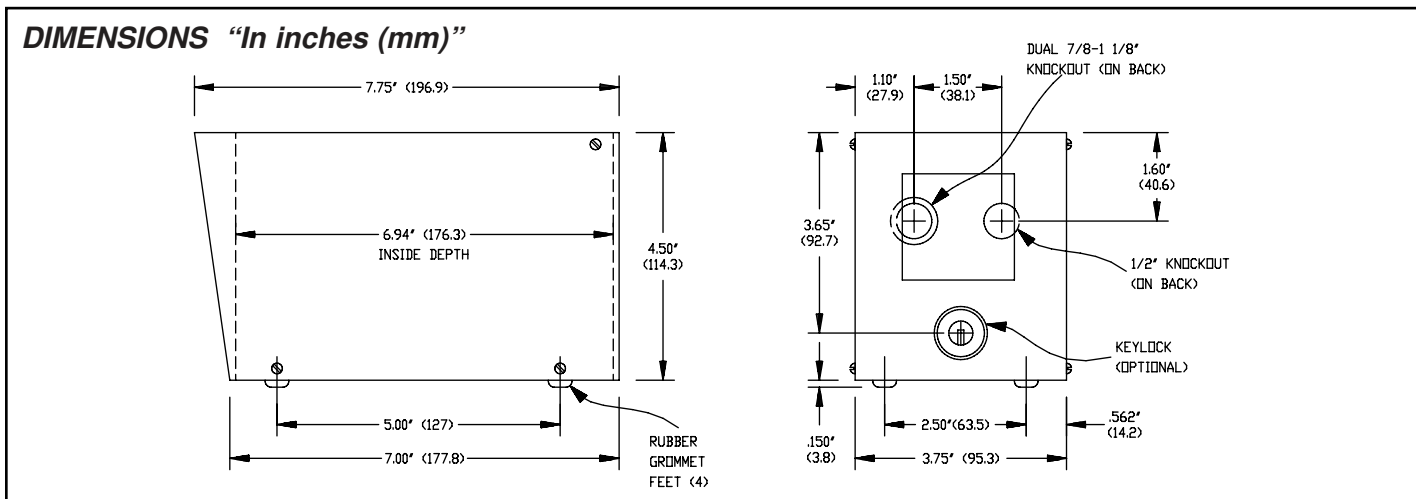
DESCRIPTION

This easy-to-assemble enclosure kit features interchangeable prepunched panels which accept a variety of Red Lion Products, without drilling, sawing, punching, or filing. A blank panel is also available for custom applications. (Panels are ordered separately.)

Convenient, 3-piece assembly permits base to be mounted first. Second, the counter or indicator is mounted to the panel and wiring connections are made to the unit through the base knockout(s). Third, the panel is fastened to the cover,

then the cover is fastened to the base. Two knockouts on the rear (*one 1/2" and one dual 7/8" - 1 1/8"*) accept standard conduit adapter or can be fitted with grommets for flexible cable entry. Rubber grommet feet allow the enclosure to be free-standing or base-mounted with through-bolts on a machine frame member or shelf.

Enclosure and panels are coated with a durable flat black polyurethane finish. Hardware includes assembly screws and foot grommets.



ORDERING INFORMATION

DESCRIPTION	PART NUMBER
Enclosure Kit (Less Front Panel)	ENC30000
Panel For Libra/Legend	PNL3A000
Panel For Libra/Legend With Keylock	PNL3B000
Panel For Lynx	PNL3C000
Panel For Lynx With Keylock	PNL3D000
Blank Panel (No Cut-out)	PNL3E000
Panel For C48/P16/P48/T16/T48	PNL3F000
Panel For C48/P16/P48/T16/T48 With Keylock	PNL3G000