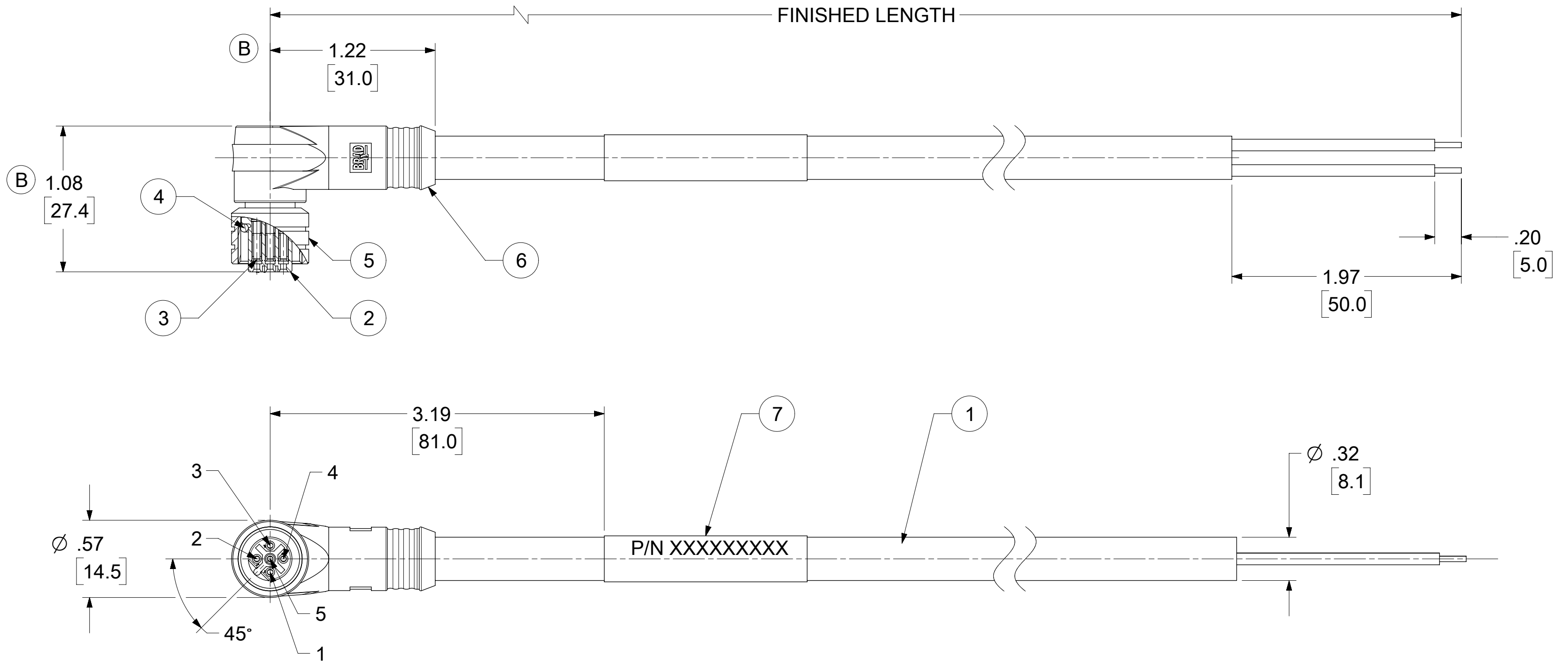


PART NO.	ENG. NO.	FINISHED LENGTH
1200390132	B05S01PP4M010	1.0M [3FT 3.0IN]
1200390134	B05S01PP4M040	4.0M [13FT 1.4IN]
1200985018	B05S01PP4M090	9.0M [29FT 6.2IN]
1200988056	B05S01PP4M200	20.0M [65FT 7.2IN]

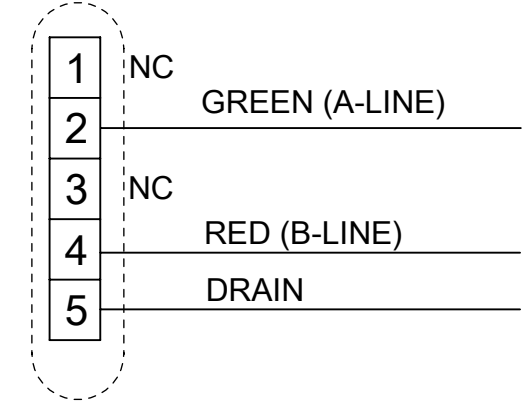


- NOTES:**
1. MATERIAL: AS NOTED
 2. FINISH: AS NOTED
 3. ELECTRICAL:
VOLTAGE; 250V AC/DC
CURRENT: 4A
 4. TEMP RATING: -20°TO +80°C
 5. PROTECTION: IP67 (WHEN MATED)
 6. COUPLING THREAD: M12 X 1
 7. ALL DIMS ARE FOR REFERENCE UNLESS TOLERANCED OR NOTED OTHERWISE

PART NUMBER MATRIX
B05S01PP4M010

LENGTH
M001 = .1 METERS
M010 = 1.0 METERS
M100 = 10 METERS

MICRO-CHANGE



WIRE DIAGRAM

ITEM	DESCRIPTION	MATERIAL	FINISH
7	WRAP LABEL	VINYL	BLACK/YELLOW
6	OVERMOLD	PUR	YELLOW
5	COUPLING	BRASS	NICKEL PLATED
4	O-RING	FPM	RED
3	CONTACT	Cu ALLOY	GOLD PLATED
2	INSERT, 5 POLE, SHIELDED	PUR	BLACK
1	CABLE, PROFIBUS	PUR JACKET	VIOLET

CABLE LENGTH TOLERANCES

<.3M [1FT]:	+19mm-0 [+.75in-0]
.3 - .9M [1 - 3FT]:	+44.5mm-0 [+1.75in-0]
.9 - 1.8M [3 - 6FT]:	+55.6mm-0 [+2.19in-0]
1.8 - 3.7M [6 - 12FT]:	+88.9mm-0 [+3.50in-0]
3.7 - 7.3M [12 - 24FT]:	+165.1mm-0 [+6.50in-0]
7.3-14.6M [24 - 48FT]:	+317.5mm-0 [+12.50in-0]
14.6 - 30.5M [48-100FT]:	+622.3mm-0 [+24.50in-0]
OVER 30M [100FT]	+2% OF FINISHED LENGTH

FUNCTIONAL SYMBOLS	THIS DRAWING CONTAINS INFORMATION THAT IS PROPRIETARY TO MOLEX ELECTRONIC TECHNOLOGIES, LLC AND SHOULD NOT BE USED WITHOUT WRITTEN PERMISSION		CURRENT REV DESC: REDRAWN TO NX, O-MOLD CHANGED PER 5901 MFG STD., ADD P/N MATRIX, UPDATE NOTES	
	DIMENSION UNITS	SCALE	EC NO: 704283	
$\frac{F}{A} = 0$	IN/MM	1.5:1	DRWN: RSTONE	2022/04/21
$\frac{F}{C} = 0$	GENERAL TOLERANCES (UNLESS SPECIFIED)		CHK'D: MZIELINSKI	2022/04/22
$\frac{F}{P} = 0$			APPR: BWOODMAN	2022/04/22
DIVISIONAL SYMBOLS	4 PLACES	±	INITIAL REVISION:	
	3 PLACES	±	DRWN: DW	2009/07/28
	2 PLACES	±	APPR: JFMURPHY	2009/07/28
	1 PLACE	±	THIRD ANGLE PROJECTION	
	0 PLACES	±	DRAWING	SERIES
	ANGULAR TOL	± °	C-SIZE	120039
	DRAFT WHERE APPLICABLE MUST REMAIN WITHIN DIMENSIONS		MATERIAL NUMBER	CUSTOMER
			SEE P/N MATRIX	GENERAL MARKET

molex

MICRO-CHANGE CABLE ASSEMBLY
5P FEMALE, 90 DEG, B-CODE, PROFIBUS

PRODUCT CUSTOMER DRAWING

DOCUMENT NUMBER: **SD-120039-003** | DOC TYPE: PSD | DOC PART: 001 | REVISION: B

SHEET NUMBER: 1 OF 1