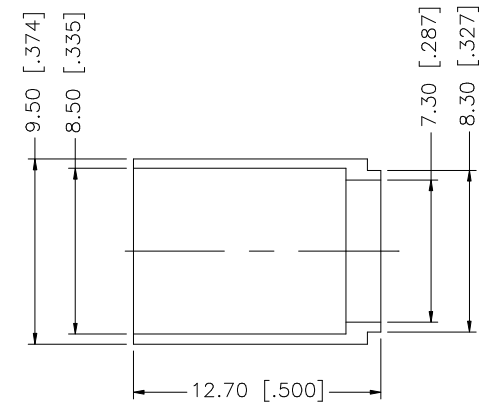
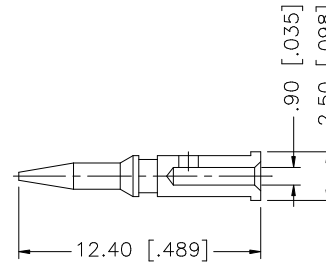
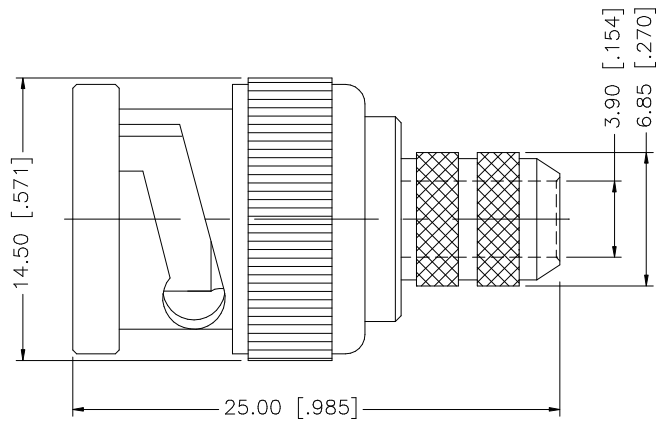
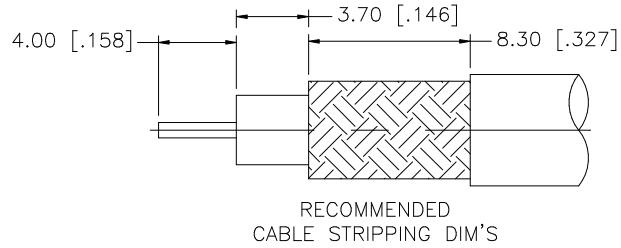


REV.	DATE	DESCRIPTION
A	05/31/00	MODIFY CONTACT PIN CRIMP NOTE
B	07/11/00	NMODIFY BARREL I.D. TO 3.9
C	07/25/05	UPDATE DRAWING FORMAT / PART DESCRIPTION



CRIMP NOTES:

1. CRIMPED FERRULE  
HEX CRIMP SIZE .324"
2. CRIMPED CONTACT PIN  
HEX CRIMP SIZE .068"

				UNLESS OTHERWISE SPECIFIED DIMENSIONS ARE IN MILLIMETERS. DIMENSIONS IN [ ] ARE IN INCHES AND FOR CUSTOMER REFERENCE ONLY.	APPROVALS	DATE	<b>Amphenol Connex</b>								
8					DRAWN	G.R.S.	07/25/05	PART DESCRIPTION <b>BNC CRIMP PLUG</b> (COMMSCOPE F59HEC-2, B 1186A, 59 DOUBLE BRAID TIMES FIBER 2248K, 2779V, 2240V, 2241V)							
7					CHECKED										
6					ISSUED			PART NO. <b>112650</b>							
5					SHEET	1 OF 1									
4	FERRULE	COPPER	NICKEL	1				DWG. NO.	112650.DWG	REV.	C	SIZE	A	SCALE	NA
3	CONTACT PIN	BRASS	GOLD	1				DO NOT SCALE DRAWING							
2	INSULATOR	DELTRIN	NATURAL	1				CAD FILE C:/112/112650.DWG							
1	BODY	BRASS	NICKEL	1											

UNLESS OTHERWISE SPECIFIED DIMENSIONS ARE IN MILLIMETERS. DIMENSIONS IN [ ] ARE IN INCHES AND FOR CUSTOMER REFERENCE ONLY.

UNLESS OTHERWISE SPECIFIED TOLERANCES FOR MILLIMETERS ARE:  
0.5 - 8mm ± 0.20mm  
8 - 30mm ± 0.40mm  
30 - 120mm ± 0.50mm

UNLESS OTHERWISE SPECIFIED TOLERANCES FOR INCHES ARE:  
.020 - .315 = ± 0.007"  
.315 - 1.180 = ± 0.015"  
1.180 - 4.724 = ± 0.020"

DO NOT SCALE DRAWING

**Amphenol Connex**

PART DESCRIPTION  
**BNC CRIMP PLUG**  
(COMMSCOPE F59HEC-2, B 1186A, 59 DOUBLE BRAID TIMES FIBER 2248K, 2779V, 2240V, 2241V)

PART NO.  
**112650**

DWG. NO. 112650.DWG REV. C SIZE A SCALE NA