

PROPRIETARY INFORMATION: PROPRIETARY OF GLOBTEK, INC. ANY REPRODUCTION, DISCLOSURE OR USE OF THIS DRAWING, IN WHOLE OR IN PART, IS HEREBY PROHIBITED EXCEPT AS SPECIFIED IN WRITING BY GLOBTEK, INC.	REVISION			
	REV	DESCRIPTION	DATE	APPROVED
	A	INITIAL RELEASE, RFS. 15810, MS	03/16/09	HM
	B	CORRECT PINOUT ON P.2, RFS. 15860, GC	03/23/09	HM

IMPLEMENT ALL CHANGES DESCRIBED IN ECN.NO 3117 IN THIS MODEL.

All models under this series are Certified to be in compliance with all the applicable requirements of UL60601-1 2nd Edition, CSA 22.2 No.601.1-M90 and EN 60601-1:A2. Globtek's Medical power supplies are designed to be used in applications that do not connect the output to Patient Circuits directly. The power supply can be used in systems with patient applied parts only when appropriate system level isolation is provided by the end user.

For medical units used in the USA and Canada, a UL/CSA approved hospital grade AC cord of type SV or better (AWG18 or bigger) shall be used (ie. Globtek PN: 1191068F0701). This is required to comply with the relevant standards and ensure proper grounding reliability.



1. NOTES:

DIMENSIONS ARE IN MM UNLESS SPECIFIED OTHERWISE.

2. ELECTRICAL SPECIFICATIONS:

INPUT VOLTAGE:	90 VAC TO 264 VAC
INPUT CURRENT:	< 2.0 A RMS AT 90 VAC INPUT
INPUT FREQUENCY:	47 HZ - 63 HZ
OUTPUT VOLTAGE:	24 V DC
OUTPUT CURRENT:	2.5 A, NO LOAD TO FULL LOAD,NO MINIMUM LOAD REQUIRED
OUTPUT POWER (RATED):	60 WATTS MAX
SWITCHING FREQUENCY	
OUTPUT RIPPLE (PEAK TO PEAK):	1% TYPICAL
OUTPUT REGULATION (LINE/LOAD):	± 5 % FOR MAIN OUTPUT, MEASURED AT O/P CONNECTOR
LINE REGULATION:	± 0.5 % MAX AT FULL LOAD
TURN ON/ TURN OFF OVERSHOOT:	4% MAX 500uS MAX RECOVERY TIME FOR 25% STEP LOAD
TURN-ON DELAY:	1 SEC MAX
HOLD-UP TIME:	8.3 mSEC MIN AT NOMINAL INPUT AND FULL LOAD
OUTPUT RISE TIME:	< 35 mS
TURN ON TIME:	< 3 S @ 115 V
INRUSH CURRENT:	40 A MAX AT COLD START FOR N.A. (50A FOR EURO)
EFFICIENCY:	80 % @115 V TYPICAL
SWITCHING FREQUENCY:	100 KHZ TYPICAL
OVER-VOLTAGE PROTECTION:	VOLTAGE LIMITED LESS 130% OF NOMINAL VOLTAGE
OVER-CURRENT / SHORT CIRCUIT:	HICCUP WITH AUTO RECOVERY TO 1.1 - 1.3 IO
OTHER PROTECTION:	INPUT FUSING
NO LOAD POWER CONSUMPTION:	< 1.0 W @ 115V, 25°C
SAFETY APPROVALS:	UL60601-1, CUL TO 22.2# 601, CE CLASS I
DIELECTRIC WITHSTAND VOLTAGE:	5656 VDC PRIMARY-SECONDARY;2121 VDC PRIMARY- GROUND
LEAKAGE CURRENT:	≤ 250 μA
LINE SURGE:	EN 61000-4-5 LEVEL 4
EMI:	COMPLIES WITH EN55011 , CLASS B AND FCC PART 15 CLASS B WHEN TESTED WITH A RESISTIVE LOAD, BOTH CONDUCTED AND RADIATED
CE MARK:	TESTED TO COMPLY WITH EN61000-3-2 EN61000-3-3, AND EN50082-1, INCLUDING EN61000-4-2, EN61000-4-3, EN61000-4-4, EN61000-4-5, EN61000-4-6, EN61000-4-11, LEVEL 4, EN 60601-1-2-2001. UNIT IS ELIGIBLE FOR CE MARK.
MTBF:	GREATER THAN 50,000 HOURS AT 25°C AMBIENT TEMPERATURE,
OPERATING TEMPERATURE:	0°C TO 40° C
STORAGE TEMPERATURE:	-40°C TO 80° C
ALTITUDE:	10,000' (OPERATING), 40,000' (NON-OPERATING)
HUMIDITY:	0% TO 90% RELATIVE HUMIDITY
WEIGHT:	405 g
ROHS:	COMPLIES WITH EU 2002/95/EC AND CHINA SJ/T 11363-2006

Foot Note: Globtek Inc. will not be liable for the safety and performance of these power supplies if unauthorized access and repair occurs. End user should consult applicable UL, CSA or EN standards for proper installation instructions	DASH NO.	PART NO	REV.	DESCRIPTION	NOTES	
	TABULATION BLOCK					
	INIT.BY: MS		DATE: 03/16/09	TOLERANCES: DECIMALS .xx +/- 0.1 ANGULAR +/- 1° .xxx +/- .005	GlobTek, Inc. 186 Veterans Dr. Northvale, NJ 07647 www.globtek.com Tel. 201-784-1000 Fax 201.784.0111	
	DRAWN: NF	DATE: 03/16/09	FSCN No.: G, Y	SIZE A		
Limitation of Use: Globtek product are not authorized for use as mission critical components in life support, hazardous environment, nuclear or aircraft applications without prior written approval from the CEO of Globtek Inc.	APRVD : HM	DATE: 03/16/09	SCALE: NONE	MODEL NO: GTMB1057-6024	REV. B	
	Contents of this document are subject to change without prior notice			PART NO: TR9CI2500YL3-C-MED(R)	SHEET 1 OF 4	


PROPRIETARY INFORMATION:
 PROPRIETARY OF GLOBTEK, INC. ANY REPRODUCTION, DISCLOSURE OR
 USE OF THIS DRAWING, IN WHOLE OR IN PART, IS HEREBY
 PROHIBITED EXCEPT AS SPECIFIED IN WRITING BY GLOBTEK, INC.

8. LABEL:

MATERIAL: .007 (0.18) THICK FLAT THERMAL TRANSFER, IMPRINTABLE, BLACK POLYESTER SHEET WITH WHITE NOMENCLATURE.
 MANUFACTURER: STEVEN LABEL, MATERIAL I.D. NO.3302-33, UL FILE NO. MH12821(N), UL MATERIAL
 DESIGNATION FILE NO. GHW332RL. OPTIONAL LABEL MATERIAL CAN BE SUBSTITUTED PROVIDING
 MATERIAL IS UL LISTED AND COMPLIES WITH APPLICABLE SAFETY REQUIREMENTS.



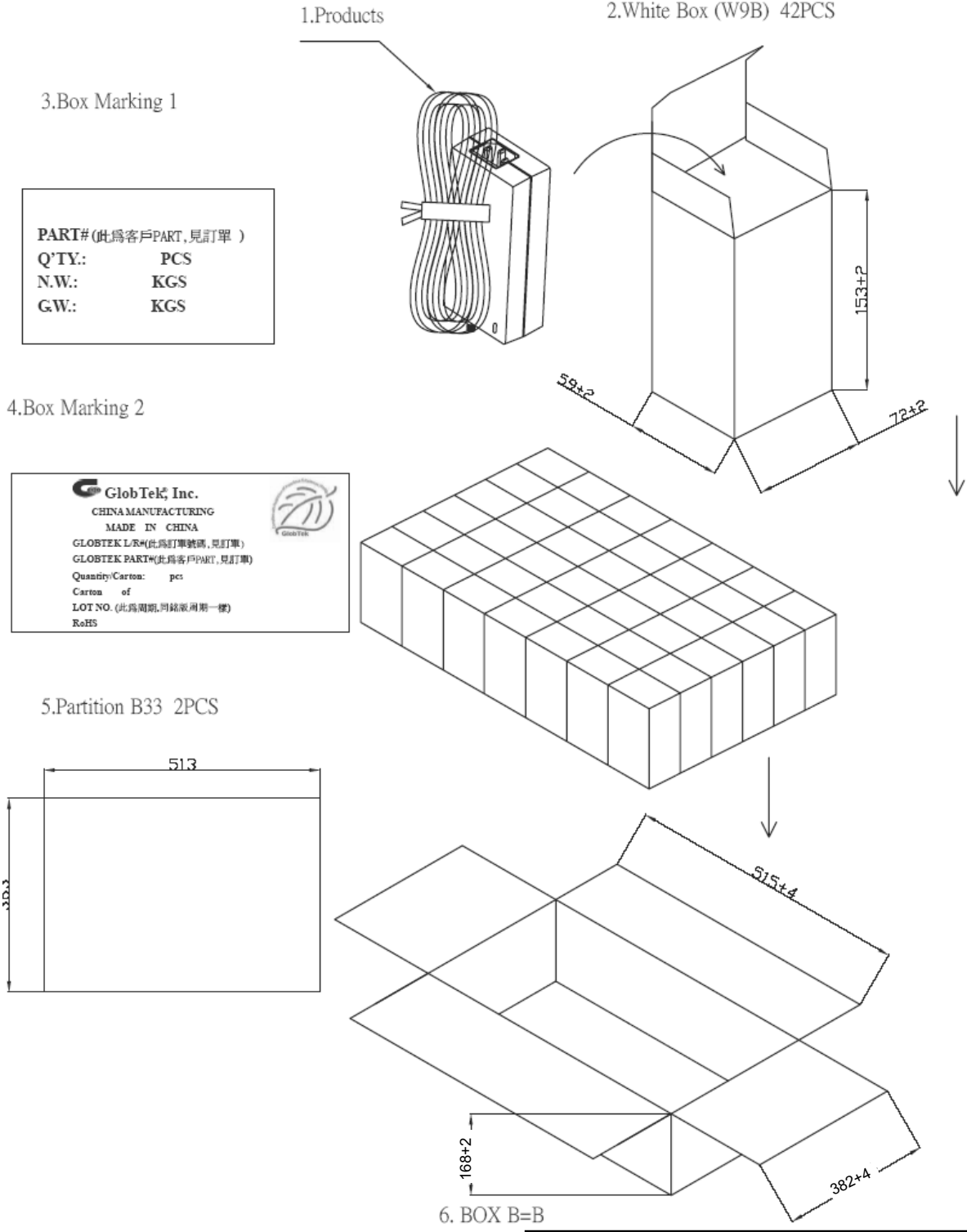
ACTUAL POSITIONING OF SYMBOLS AND TEXT IS SUBJECT TO CHANGE AT TIME OF MANUFACTURE


 GlobTek, Inc. www.globtek.com		186 Veterans Dr. Northvale, NJ 07647 Tel. 201-784-1000 Fax 201.784.0111
DWG TITLE: SWITCHING POWER SUPPLY, 60 WATT, 24VDC@2.5A, SINGLE OUTPUT, DESKTOP, UNIVERSAL INPUT, MEDICAL		
MODEL NO: GTMB1057-6024		REV. B
PART NO: TR9CI2500YL3-C-MED(R)		SHEET 3 OF 4

PROPRIETARY INFORMATION:
 PROPRIETARY OF GLOBTEK, INC. ANY REPRODUCTION, DISCLOSURE OR USE OF THIS DRAWING, IN WHOLE OR IN PART, IS HEREBY PROHIBITED EXCEPT AS SPECIFIED IN WRITING BY GLOBTEK, INC.

9. INDIVIDUAL PACKING BOX:

MATERIAL: CORRUGATED FIBERBOARD, F-FLUTE 0.8 (2.0) THICK, DOUBLE WALL CONSTRUCTION.
 EXTERNAL FINISH: WHITE, COATED WITH GLOSS FINISH (AQUEOUS OR VARNISH) STYLE: TUCK SIDES WITH LOCKING TABS ON BOTH SIDES OF BOX. NO PRINTING ON THE OUTSIDE OF BOX.



 GlobTek, Inc. www.globtek.com		186 Veterans Dr. Northvale, NJ 07647 Tel. 201-784-1000 Fax 201.784.0111
DWG TITLE: SWITCHING POWER SUPPLY, 60 WATT, 24VDC@2.5A, SINGLE OUTPUT, DESKTOP, UNIVERSAL INPUT, MEDICAL		
MODEL NO: GTMB1057-6024		REV. B
PART NO: TR9CI2500YL3-C-MED(R)		SHEET 4 OF 4