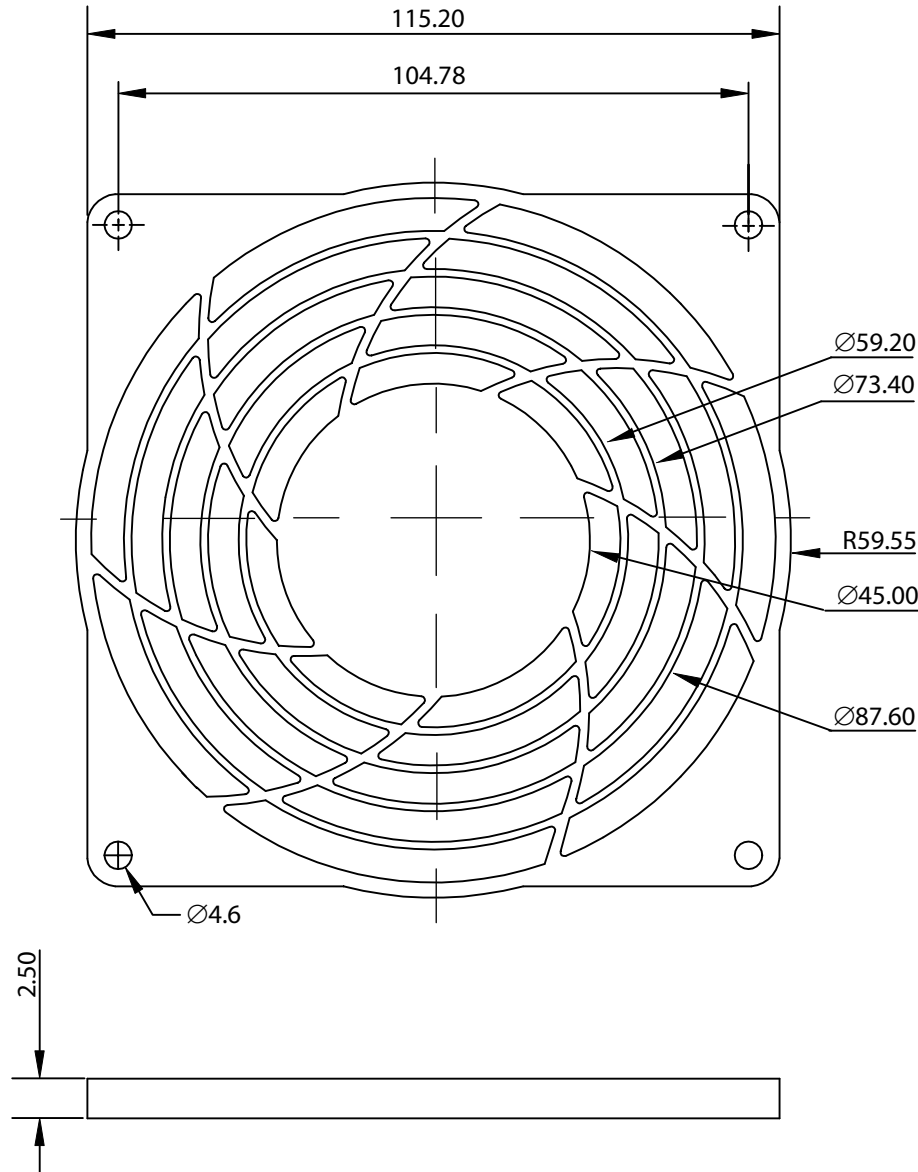


THESE DRAWINGS ARE THE PROPERTY OF QUALTEK ELECTRONICS AND NOT TO BE REPRODUCED FOR OR COMMUNICATED TO A THIRD PARTY WITHOUT THE EXPRESS WRITTEN PERMISSION OF AN OFFICER OF QUALTEK ELECTRONICS.

REVISION			
REV.	DESCRIPTION	DATE	APPROVED
B	RoHS Compliancy	06-01-06	DP
C	Updated Specifications	01-23-08	DP
D	Updated Material Specs	03-31-09	LY



NOTES:

MATERIAL: PC2805  
RoHS COMPLIANT

**CONTROLLED**

Dim range (mm)	Tolerance +/- (mm)	Qualtek Electronics Corp. FAN-S DIVISION		
		Part Number: 09122-G		
0-5	0.1	Description: PLASTIC FAN GUARD		
5-16	0.15			
16-64	0.2			
64-250	0.4			
250-1000	0.5			
1000-1500	1.0			
		UNIT: mm	REV: D	
		Drawn / Date	Checked / Date	Approved / Date
		B. ZHANG 10-28-03	10-28-03	JJH / 10-28-03