



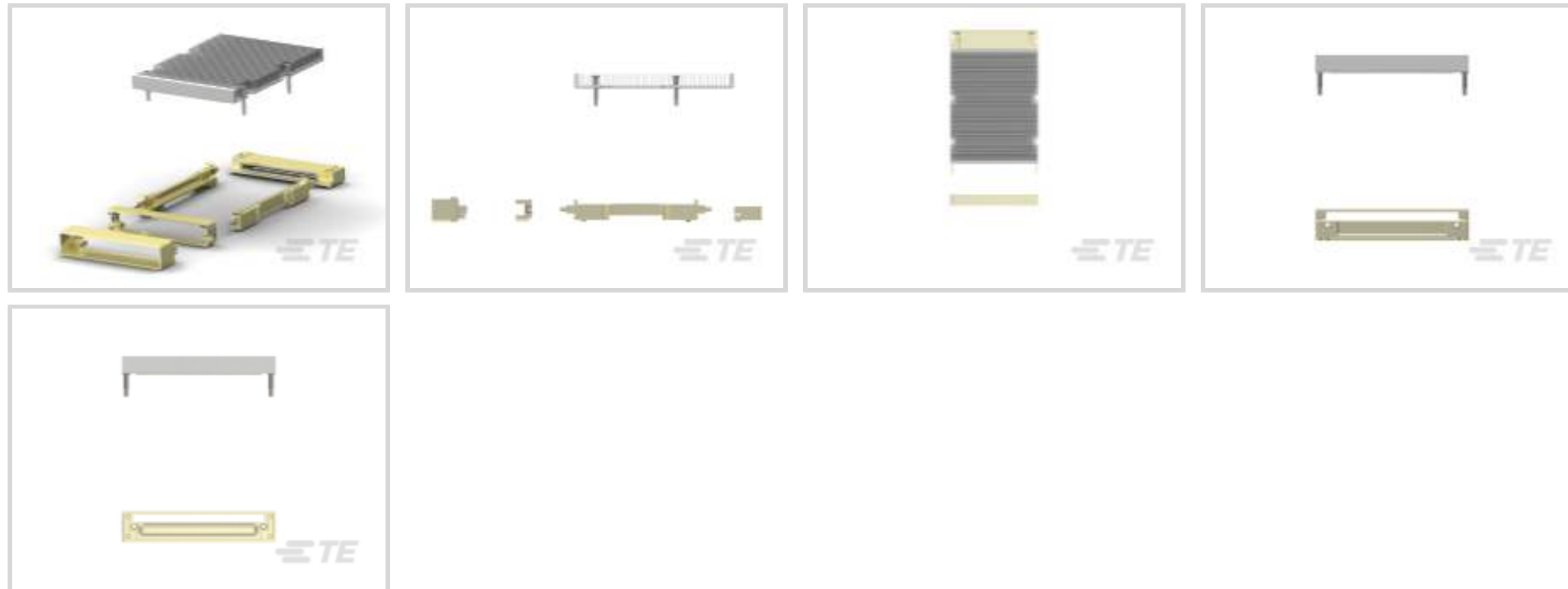
CFP

TE Internal #: 2132404-1

CFP, CFP2 & CFP4, Accessory, 1 x 1, Fin, Heat Sink Height 10.27 mm [.404 in], Data Rate (Max) 100 Gb/s, Cable-to-Board, Printed Circuit Board, CFP

[View on TE.com >](#)

Connectors > Pluggable IO Connectors & Cages > CFP, CFP2 & CFP4



Pluggable I/O Product Type: **Accessory**

Port Matrix Configuration: **1 x 1**

Thermal Accessory Type Included: **Heat Sink**

Heat Sink Style: **Fin**

Heat Sink Height: **10.27 mm [.404 in]**

Features

Product Type Features

Form Factor	CFP
Pluggable I/O Accessory Type	Hardware Kit
Pluggable I/O Product Type	Accessory
Thermal Accessory Type Included	Heat Sink
Connector System	Cable-to-Board
Sealable	No
Connector & Contact Terminates To	Printed Circuit Board

Configuration Features

Number of Fins	22
Port Matrix Configuration	1 x 1

Electrical Characteristics

Data Rate (Max)	100 Gb/s
-----------------	----------

Body Features

Heat Sink Finish	Anodized Black, Anodized
------------------	--------------------------



Heat Sink Style	Fin
Heat Sink Height	10.27 mm [.404 in]

Contact Features

Contact Current Rating (Max)	.5 A
------------------------------	------

Termination Features

Termination Method to Printed Circuit Board	Surface Mount
---	---------------

Dimensions

PCB Thickness (Recommended)	2 mm [.079 in]
-----------------------------	----------------

Operation/Application

Heat Sink Compatible	Yes
For Use With Pluggable I/O Products	CFP Assembly
Circuit Application	Signal

Packaging Features

Packaging Method	Box
------------------	-----

Other

Pluggable I/O Connectors Comment	Kit includes 2 guide rails, 1 connector cover assy., 1 backer plate assy., 1 external bracket assy., 1 heat sink assy.
----------------------------------	--

Product Compliance

[For compliance documentation, visit the product page on TE.com>](#)

EU RoHS Directive 2011/65/EU	Compliant
EU ELV Directive 2000/53/EC	Compliant
China RoHS 2 Directive MIIT Order No 32, 2016	No Restricted Materials Above Threshold
EU REACH Regulation (EC) No. 1907/2006	Current ECHA Candidate List: JUNE 2023 (235) Candidate List Declared Against: JAN 2023 (233) Does not contain REACH SVHC
Halogen Content	Low Halogen - Br, Cl, F, I < 900 ppm per homogenous material. Also BFR/CFR/PVC Free
Solder Process Capability	Not applicable for solder process capability

Product Compliance Disclaimer



This information is provided based on reasonable inquiry of our suppliers and represents our current actual knowledge based on the information they provided. This information is subject to change. The part numbers that TE has identified as EU RoHS compliant have a maximum concentration of 0.1% by weight in homogenous materials for lead, hexavalent chromium, mercury, PBB, PBDE, DBP, BBP, DEHP, DIBP, and 0.01% for cadmium, or qualify for an exemption to these limits as defined in the Annexes of Directive 2011/65/EU (RoHS2). Finished electrical and electronic equipment products will be CE marked as required by Directive 2011/65/EU. Components may not be CE marked. Additionally, the part numbers that TE has identified as EU ELV compliant have a maximum concentration of 0.1% by weight in homogenous materials for lead, hexavalent chromium, and mercury, and 0.01% for cadmium, or qualify for an exemption to these limits as defined in the Annexes of Directive 2000/53/EC (ELV). Regarding the REACH Regulation, the information TE provides on SVHC in articles for this part number is based on the latest European Chemicals Agency (ECHA) 'Guidance on requirements for substances in articles' posted at this URL: <https://echa.europa.eu/guidance-documents/guidance-on-reach>

Compatible Parts



Also in the Series | CFP

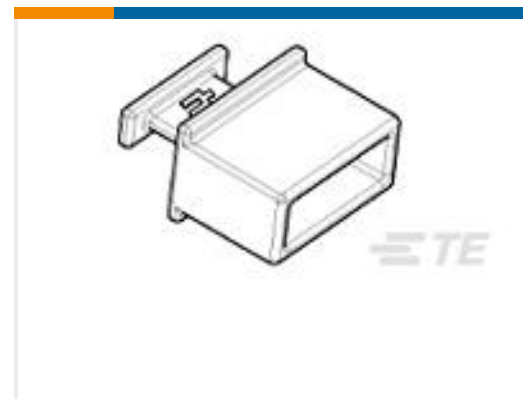


Customers Also Bought

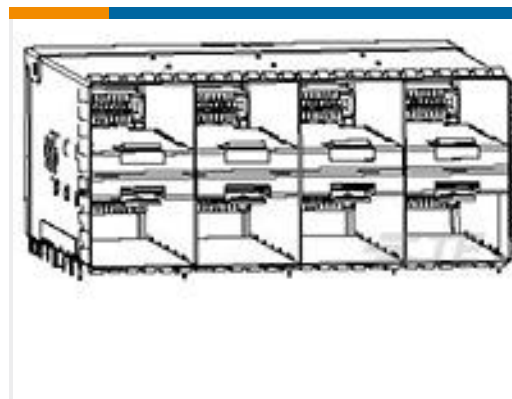




TE Part #2299940-2
ZQSFP+ STACKED REC ASSEMBLY
2X1,HS



TE Part #1888810-2
EMI/Dust Cover,XFP And QSFP



TE Part #1-2180324-9
zSFP+ STACKED 2X4 RECEPTACLE
ASSEMBLY



TE Part #2301859-7
ZQSFP+ STACKED RECEPTACLE
ASSEMBLY 2X2



TE Part #3-1734857-4
PCI EXP STRADDLE 98P WHT 15u"

Documents

Product Drawings

CFP Hardware Kit

English

CAD Files

Customer View Model

[ENG_CVM_CVM_2132404-1_B.2d_dxf.zip](#)

English

3D PDF

3D

Customer View Model

[ENG_CVM_CVM_2132404-1_B.3d_igs.zip](#)

English

Customer View Model

[ENG_CVM_CVM_2132404-1_B.3d_stp.zip](#)

English

By downloading the CAD file I accept and agree to the [Terms and Conditions](#) of use.

Product Specifications

Application Specification

English

Product Environmental Compliance

[MD_2132404-1_081720171313_dmtec](#)

English

[MD_2132404-1_081720171313_dmtec](#)

English



[Instruction Sheets](#)

[Instruction Sheet \(U.S.\)](#)

English