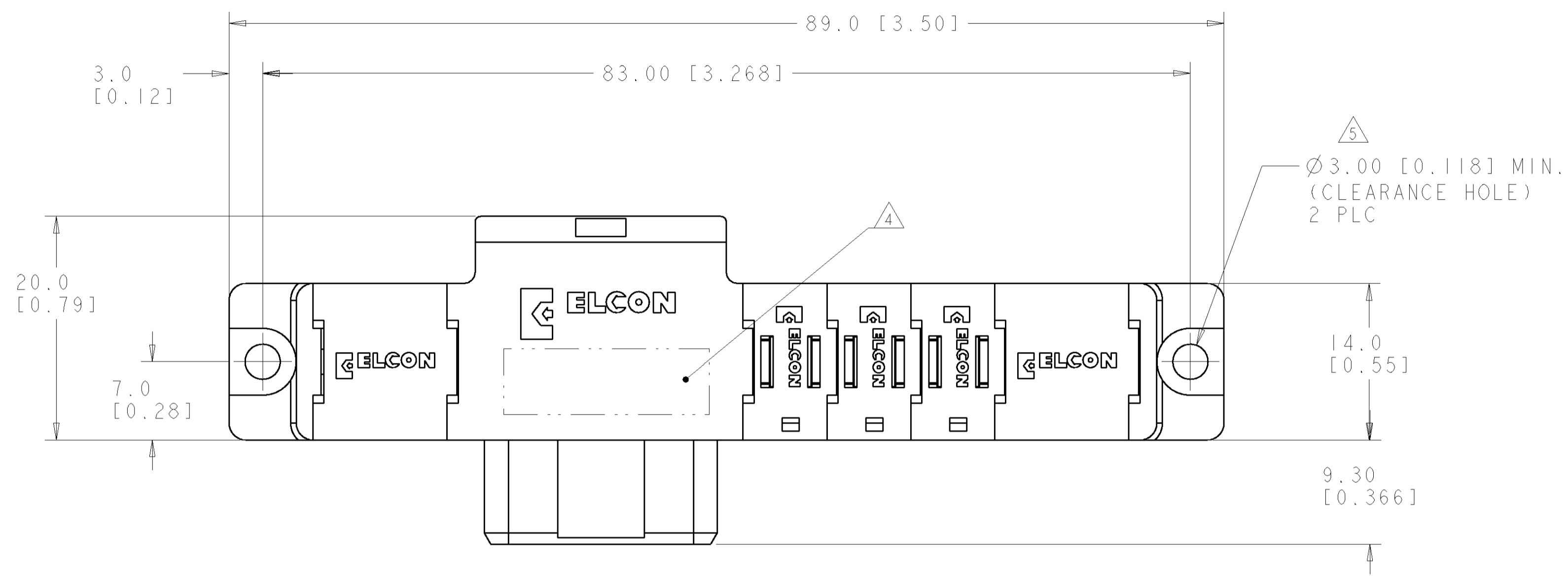


LOC		DIST		REVISIONS			
GP	00	P	LTR	DESCRIPTION	DATE	DWN	APVD
		A		NEW RELEASE	19JUN07	RG	PD



- PART NUMBER CHANGES AND OR DESIGN CHANGES AFFECTING ITEM INTERCHANGEABILITY REQUIRE PRIOR TYCO ELECTRONICS APPROVAL AND AUTHORIZATION BY REVISION TO THIS DRAWING.
- MATERIAL:
  - INSULATORS - THERMOPLASTIC, GLASS REINFORCED, UL94V-0 FLAMMABILITY RATED. COLOR: BLACK
  - CROWN BAND HOLDER - PHOSPHOR BRONZE ALLOY, BERYLLIUM COPPER ALLOY
  - SIGNAL CONTACTS - BRASS ALLOY
- FINISH:
  - CONTACTS - GOLD PLATE 0.76µm MIN. THK., OVER NICKEL 1.27µm MIN. THK.
  - SOLDER TAILS TIN, 3.05µm MIN. THK. OVER NICKEL 1.27µm MIN. THK.

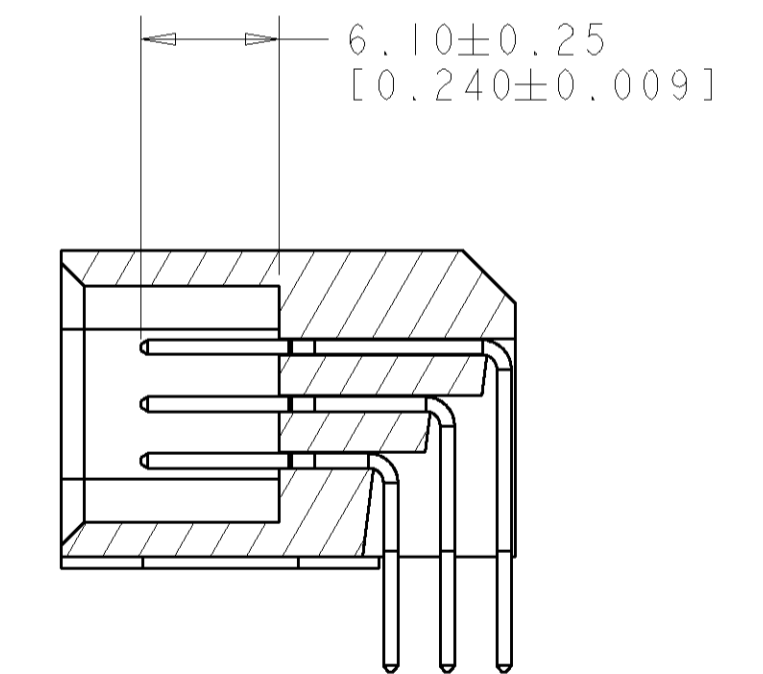
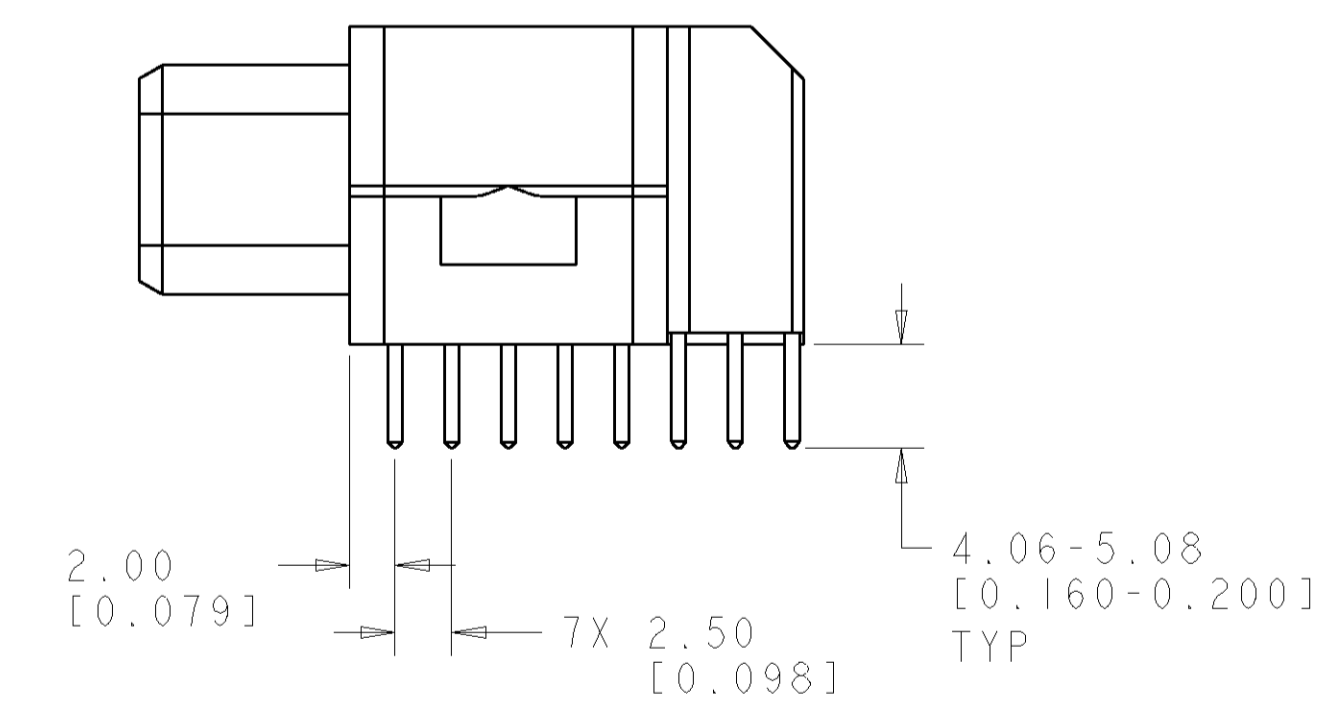
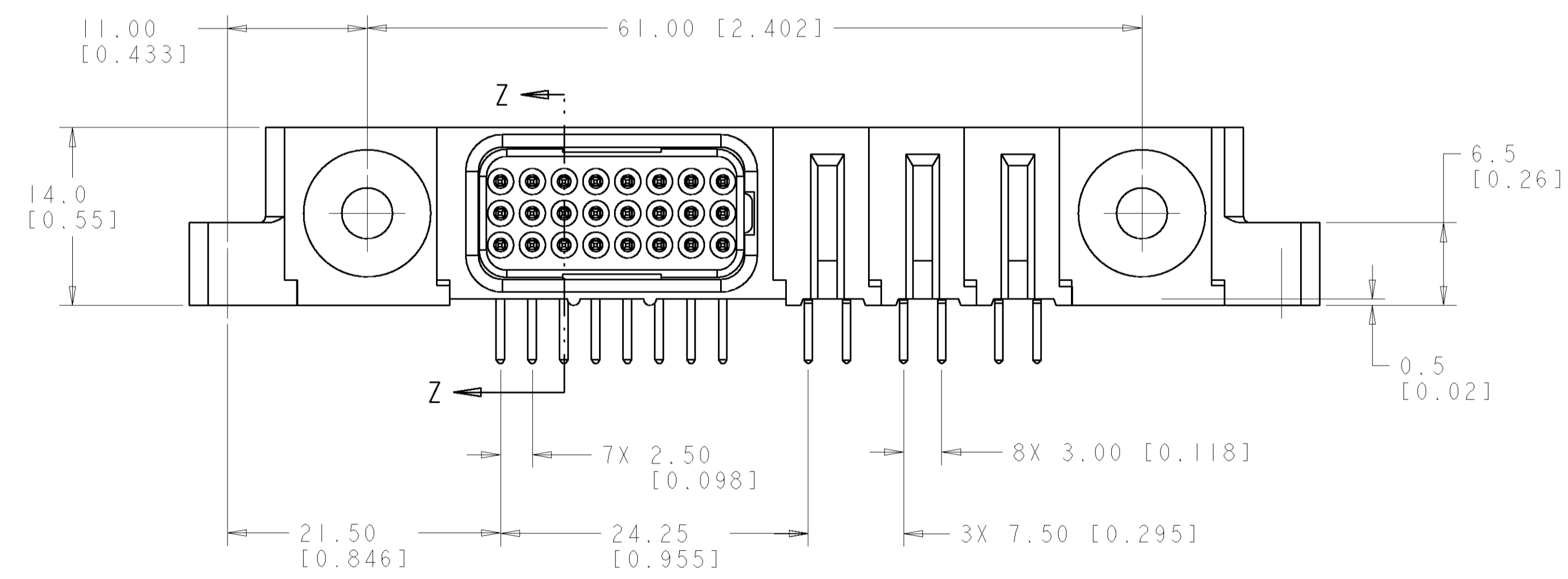
△ ITEMS PROVIDED TO THIS SPECIFICATION TO BE PERMANENTLY IDENTIFIED PER THE FOLLOWING IDENTIFIER LABEL

YEAR | WEEK

TYCO ELECTRONICS P/N      DATE CODE (e.g. 0106)

XXXXXXXX-X      XXXX

△ MOUNTING FLANGES ACCEPTS M3 OR #4-40 SCREWS (USER SUPPLIED)

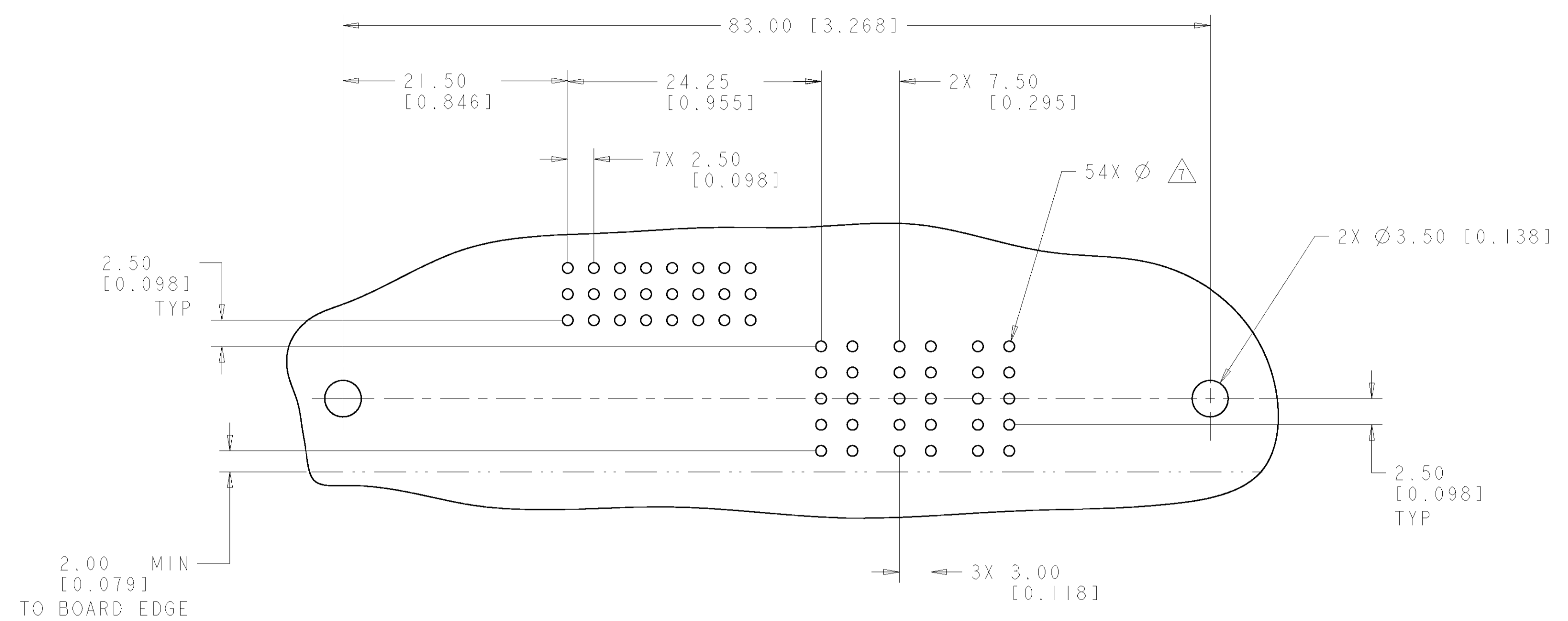


GENDER CHANGER REMOVED FOR CLARITY SECTION Z-Z

ELCON FLATPAQ

DIMENSIONS:		TOLERANCES UNLESS OTHERWISE SPECIFIED:		DWN R. GRZYBOWSKI 19JUN07		AS SHOWN 1646909-1	
mm	0 PLC ±	1 PLC ±.3 [0.12]	2 PLC ±.15 [0.06]	CHK P. DAMATO 19JUN07	Tyco Electronics Harrisburg, PA 17105-3608		DESCRIPTION PART NUMBER
	3 PLC ±	4 PLC ±	ANGLES ±.5	APVD S. FLICKINGER 19JUN07	NAME CONECTOR ASSEMBLY, SOCKET RIGHT ANGLE, SOLDER TAIL		
MATERIAL	FINISH	WEIGHT	CUSTOMER DRAWING	SIZE	CAGE CODE	DRAWING NO	RESTRICTED TO
				A	100779	C=1646909	
				SCALE	3:1	SHEET 1 OF 3	REV A

LOC	DIST	REVISIONS					
GP	00	P	LTR	DESCRIPTION	DATE	DWN	APVD
-	-	-	-	SEE SHEET 1	-	-	-

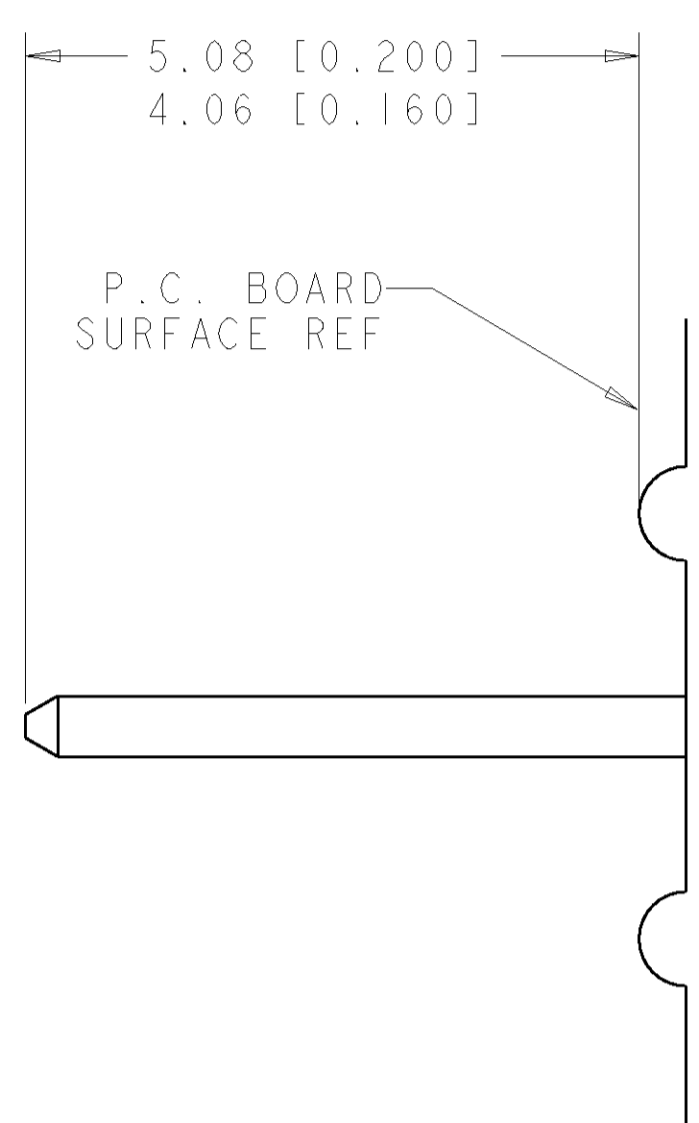


PRINTED CIRCUIT LAYOUT  
 COMPONENT SIDE

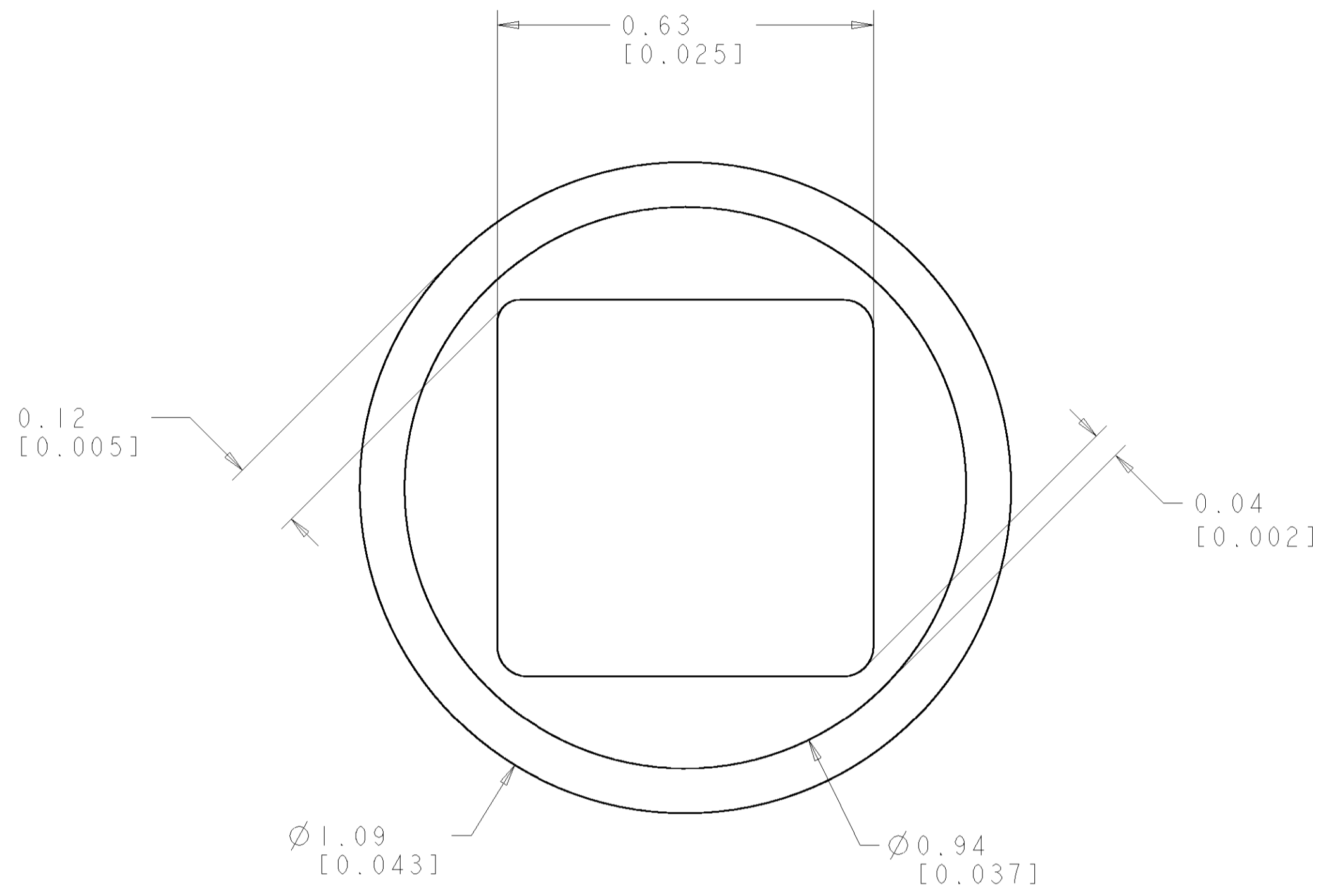
CONNECTOR	CATALOG MODULE #	QTY	SIZE NO.	CONTACT QTY	MATING PIN	MAX. CURRENT (PER CONTACT)	CONTACT SPACING	VOLTAGE RATING
SOCKET	FP104	3	8	3	1.25 X 7.00 [ .049 X .276 ]	35 amps	7.50 [ .2953 ]	250
	FP303	1	22	1	.64 [ .025 ] SQ.	3 amps	2.50 [ .0984 ]	125 VOLTS
	FP506	2	RIGHT ANGLE GUIDE SOCKET					
	FP0500	1	LEFT MOUNTING FLANGE					
	FP0501	1	RIGHT MOUNTING FLANGE					

<small>THE DIMENSIONS IN THIS DRAWING ARE UNLESS OTHERWISE SPECIFIED IN MILLIMETERS. DIMENSIONS IN PARENTHESES ARE IN INCHES. DIMENSIONS IN SQUARE BRACKETS ARE IN MILLIMETERS. DIMENSIONS IN PARENTHESES ARE IN INCHES. DIMENSIONS IN SQUARE BRACKETS ARE IN MILLIMETERS.</small>		DWN B. GRZYBOWSKI 19JUN07	Tyco Electronics Harrisburg, PA 17105-3608	
<small>OTHERWISE SPECIFIED:</small> 0 PLC ± 1 PLC ±.3 [ .012 ] 2 PLC ±.15 [ .006 ] 3 PLC ± 4 PLC ± ANGLES ±.5 FINISH -		CHK P. DAMATO 19JUN07	NAME CONNECTOR ASSEMBLY, SOCKET RIGHT ANGLE, SOLDER TAIL	
DIMENSIONS: mm 		APVD S. FLICKINGER 19JUN07	PRODUCT SPEC APPLICATION SPEC	
MATERIAL -		WEIGHT -	SIZE A   00779	DRAWING NO C=1646909
CUSTOMER DRAWING		SCALE 3:1	SHEET 2	OF 3
		REV A		

LOC	DIST	REVISIONS			
P	LTR	DESCRIPTION	DATE	DWN	APVD
-	-	SEE SHEET 1	-	-	-



6. SOLDER TAIL DETAIL  
SCALE 10 : 1



**△ SOLDER TERMINATION AREA**  
 SCALE 40:1  
 RECOMMENDED PRINTED CIRCUIT SOLDER HOLE  
 FINISHED HOLE: Ø1.02 [0.040] ±.08 [0.003]  
 DRILLED HOLE: Ø1.15 [0.0453] ±.013 [0.0005]  
 COPPER PLATE: .025 [0.0010] MIN. (PER SURFACE)  
 TIN PLATE: .008 [0.0003] MIN. (PER SURFACE)

<small>THIS DRAWING IS UNPUBLISHED. RELEASED FOR PUBLICATION. ALL RIGHTS RESERVED. THIS DRAWING IS THE PROPERTY OF TYCO ELECTRONICS CORPORATION. IT IS TO BE USED ONLY FOR THE PURPOSES AND APPLICATIONS SPECIFIED HEREIN. ANY OTHER USE IS STRICTLY PROHIBITED. TYCO ELECTRONICS CORPORATION IS NOT RESPONSIBLE FOR ANY DAMAGE TO PROPERTY OR PERSONS ARISING FROM THE USE OF THIS DRAWING.</small>		DWN B. GRZYBOWSKI 19JUN07 CHK P. DAMATO 19JUN07 APVD S. FLICKINGER 19JUN07	Tyco Electronics Harrisburg, PA 17105-3608
DIMENSIONS: mm 	TOLERANCES UNLESS OTHERWISE SPECIFIED: 0 PLC ± 1 PLC ±.3 [0.12] 2 PLC ±.15 [0.06] 3 PLC ± 4 PLC ± ANGLES ±.5 FINISH	NAME CONNECTOR ASSEMBLY, SOCKET RIGHT ANGLE, SOLDER TAIL	RESTRICTED TO
MATERIAL	FINISH	WEIGHT CUSTOMER DRAWING	SCALE 3:1 SHEET 3 OF 3 REV A