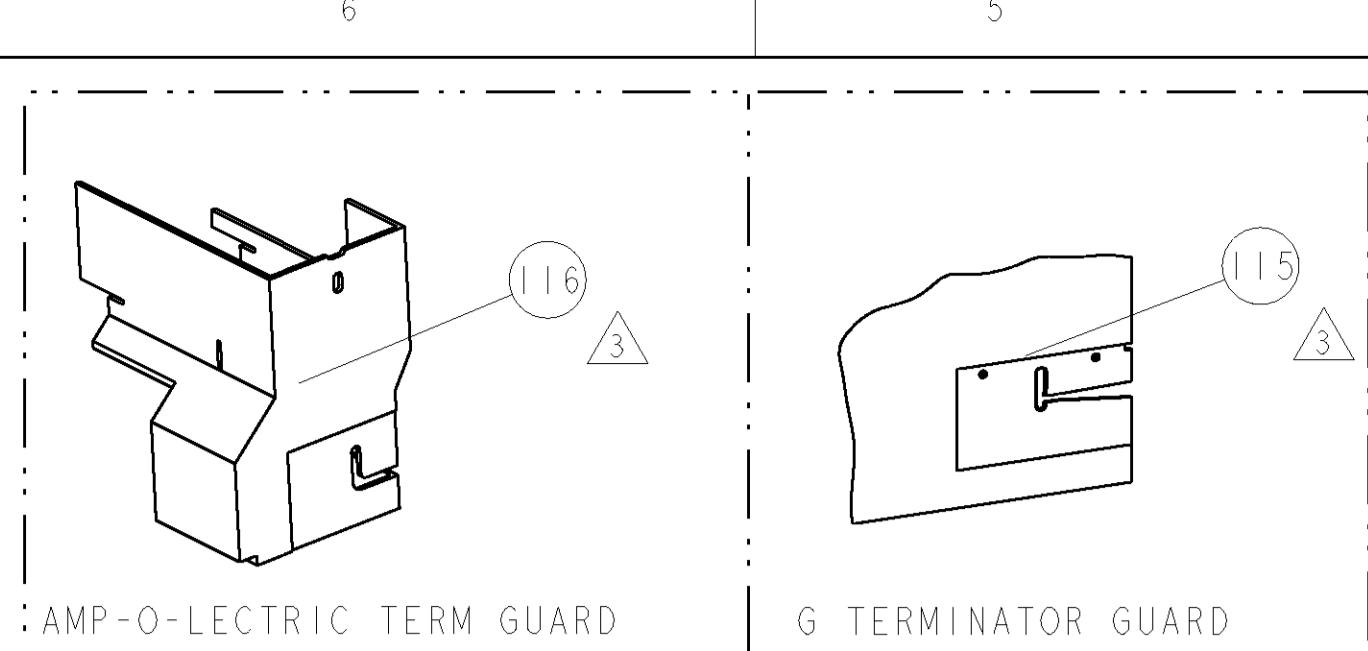


PART NUMBER	REV	FIRST USED	POWER UNIT	FEED TYPE	DESCRIPTION
1852356-1	A	122500-1	LEADMAKER	POST FEED	CUTS CARRIER
1852356-2	A	565435-5	BENCH MODEL K	PRE FEED	CUTS CARRIER
1852356-3	A	354500-1	BENCH MODEL G	PRE FEED	CUTS CARRIER
1852356-6	A	122500-1	LEADMAKER	POST FEED	CONTINUOUS CARRIER
7-1852356-7	A	-	-	-	SPARE PARTS

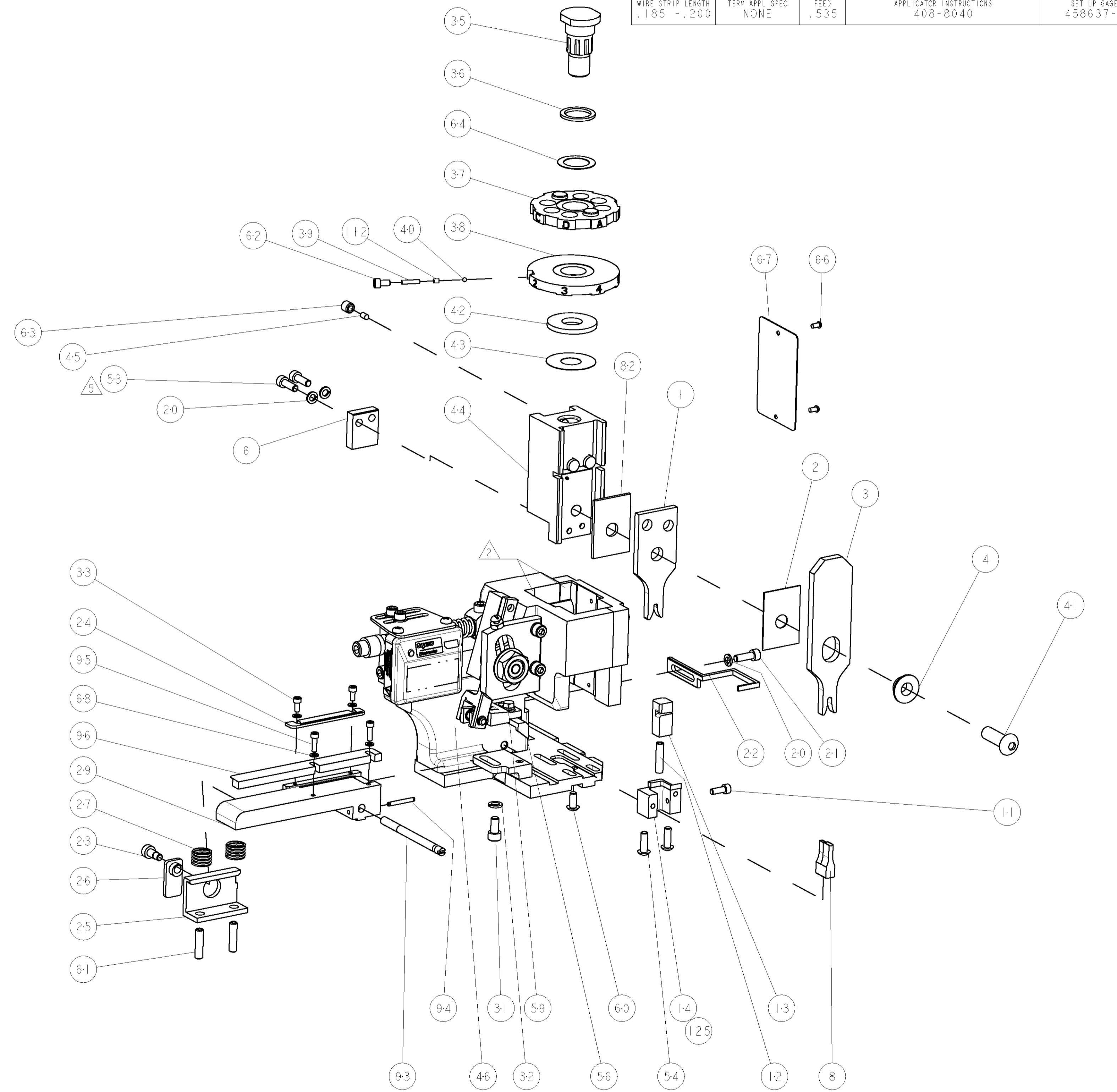
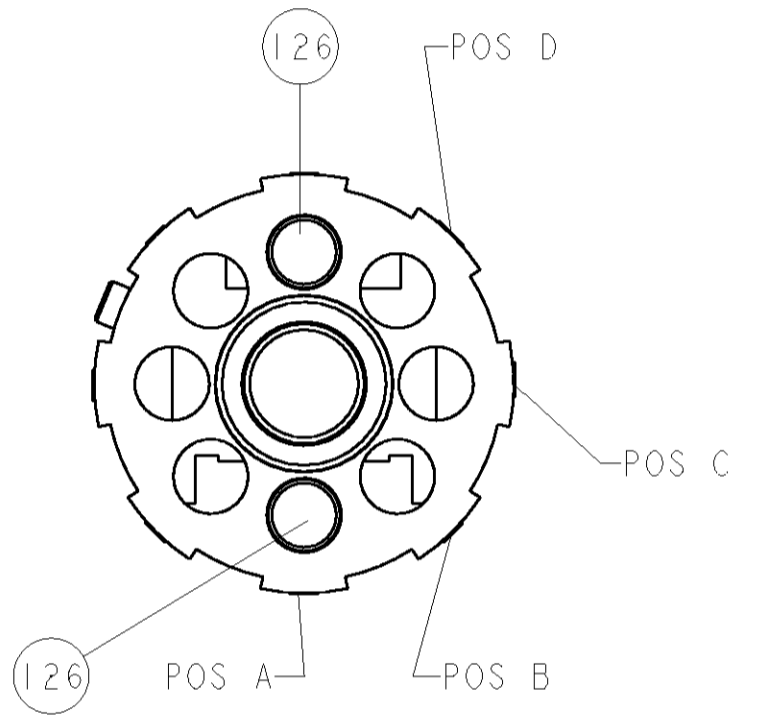


TERMINAL NAME: BUTT SPLICE			
BUTT SPLICE	-	AMP TERMINAL - AMP CRIMP SPECS	
61021-3	-	PAD LTR	CRIMP HEIGHT
-	-	A	.057±.002 [1.45±0.05mm]
-	-	B	WIRE SIZE
-	-	C	18AWG + HEATER WIRE A
-	-	D	-
-	-	CRIMP	SIZE TYPE RANGE
-	-	WIRE	.080 [2.03mm] F 18 AWG + HEATER WIRE
-	-	INSUL	.120 [3.05mm] O Ø .096 MAX
WIRE STRIP LENGTH	TERM APPL SPEC	FEED	APPLICATOR INSTRUCTIONS
.185 - .200	NONE	.535	408-8040
			SET UP GAGE 458637-1

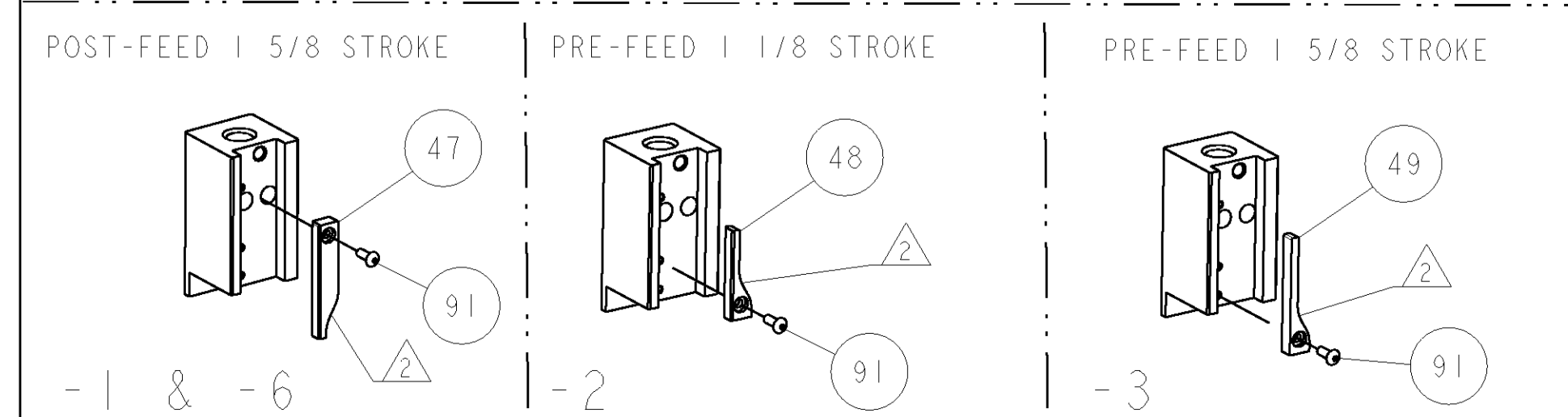
LOC	DIST	REV	DATE	BY	APPD
A	66				

- RECOMMENDED SPARE PARTS
- GREASE LIGHTLY
- GUARD MUST BE IN PLACE WHEN OPERATING APPLICATOR IN A BENCH MACHINE
- CUT TO LENGTH AT ASSEMBLY.

HEATER WIRE	NUMBER OF STRANDS	DIAMETER
A	7	.0050



QTY	REV	DATE	BY	APPD	PART NO	DESCRIPTION	ITEM NO
2					3-354779-0	PIN, WIRE DISC, .3140	126
1					681023-1	SHEAR HOLDER, REAR	125
		REF			455749-1	GUARD WINDOW	116
		REF			679532-1	INSERT, GUARD	115
1					690603-1	SPRING ASSIST AMP-O-MATOR APPLICATOR	112
1					189124-3	GUIDE, FRONT STRIP	96
2					1-21000-4	SCR, SKT HD CAP 4-40 X .375	95
1					4-21028-0	PIN, SLOTTED SPRING .094 X .750	94
1					690432-3	ADJUSTMENT SCREW	93
1					1-21002-7	SCR, BTN SKT HD CAP 6-32 X .375	91
1					1-455888-7	SPACER, CRIMPER	82
1					4088040	SF APPL INST 408-8040	72
1					217238-1	GENERAL INSTRUCTION PKG	71
4					21024-2	WASHER, SPRG LOCK, REG NO 4	68
1					461264-1	PLATE, IDENTIFICATION	67
2					21017-2	SCREW, DRIVE	66
1					986950-1	WASHER, FLAT PRECISION	64
1					21009-2	SCR, SET, SELF LOCKING 1/4-20 X .250	63
1					23030-1	SCR, SKT HD CAP 6-32 X .25	62
2					5-21006-6	SCR, SET, CUP POINT 10-32 X .750	61
1					22733-8	SCR, BHSC, SELF-LOCKING, 8-32 X .375	60
1					2-22603-0	SCREW, MACH, HEX HD, 8-32 X .312	59
1					4-694433-0	FEED PAWL	56
2					2-21002-2	SCR, BTN SKT HD CAP 8-32 X .500	54
2					2-21000-7	SCR, SKT HD CAP 8-32 X .500	53
					690602-6	CAM, PRE FEED, 1 5/8	49
					690602-5	CAM, PRE FEED, 1 1/8	48
1					690501-4	CAM, POST FEED, 1 5/8	47
1					459456-1	APPL. BASIC SUB ASSY (SIDE WISE MOCA)	46
1					690191-1	PLUG, NYLON	45
1					819307-6	RAM, SIDE FEED	44
1					690125-1	SHIM SUB-ASSY	43
1					690124-1	WASHER, RAM (.115)	42
1					7-21002-9	SCR, BTN SKT HD CAP 5/16-24 X 1.00	41
1					23241-6	BALL, STEEL	40
1					690170-1	SPRING, COMPRESSION	39
1					690142-1	DISC, INSULATION	38
1					354777-1	WIRE DISC, ASSEMBLY	37
1					22480-5	SPRING, COMPRESSION	36
1					690212-1	POST, RAM	35
2					1-21000-3	SCR, SKT HD CAP 4-40 X .250	33
1					21024-5	WASHER, SPRG LOCK, REG NO 10	32
1					3-21000-4	SCR, SKT HD CAP 10-32 X .375	31
1					844048-4	PLATE, REAR STRIP GUIDE	29
2					1-22284-0	SPRING, COMPRESSION	27
1					356835-1	LEVER, DRAG RELEASE	26
1					240792-1	DRAG, TERMINAL	25
1					690438-1	FRONT STRIP GUIDE	24
1					21989-8	SCR, SKT HD SHLDR 3/16 DIA X .250	23
1					458230-4	STRIPPER	22
1					2-21000-7	SCR, SKT HD CAP 8-32 X .500	21
4					21024-4	WASHER, SPRG LOCK, REG NO 8	20
					690462-1	SHEAR HOLDER, REAR	14
1					1-690463-8	FLOATING SHEAR, REAR	13
1					6-22279-2	SPRING, COMPRESSION	12
1					1-21000-9	SCR, SKT HD CAP 6-32 X .375	11
1					1633509-1	ANVIL, REAR CARRIER	8
1					690468-2	DEPRESSOR SHEAR, REAR	6
1					238009-5	BLOCK, FL CRIMPER SPACER	4
1					8-1583690-5	CRIMPER, INSUL O	3
1					455888-5	SPACER, CRIMPER	2
1					7-1633305-3	CRIMPER, WIRE PREMIUM	1



DIMENSIONS: INCHES 	TOLERANCES UNLESS OTHERWISE SPECIFIED: 0 PLC ±.001 1 PLC ±.001 2 PLC ±.001 3 PLC ±.001 4 PLC ±.001 ANGLES ±.0001	DWG NO: 310CT2006 CHK: T. ELBIN APD: T. BENCHOFF PRODUCT SPEC: - APPLICATION SPEC: - MATERIAL: - FINISH: - WEIGHT: - CUSTOMER DRAWING: -	tyco Tyco Electronics Harrisburg, PA 17105-3608 NAME: SIDE FEED HDM APPLICATOR SIZE: A1 CAGE CODE: 00779 DRAWING NO: 1852356 SCALE: 3:5 SHEET: 1 OF 1 REV: A
---------------------------	--	--	--

CUSTOMER VIEWABLE ASSEMBLY