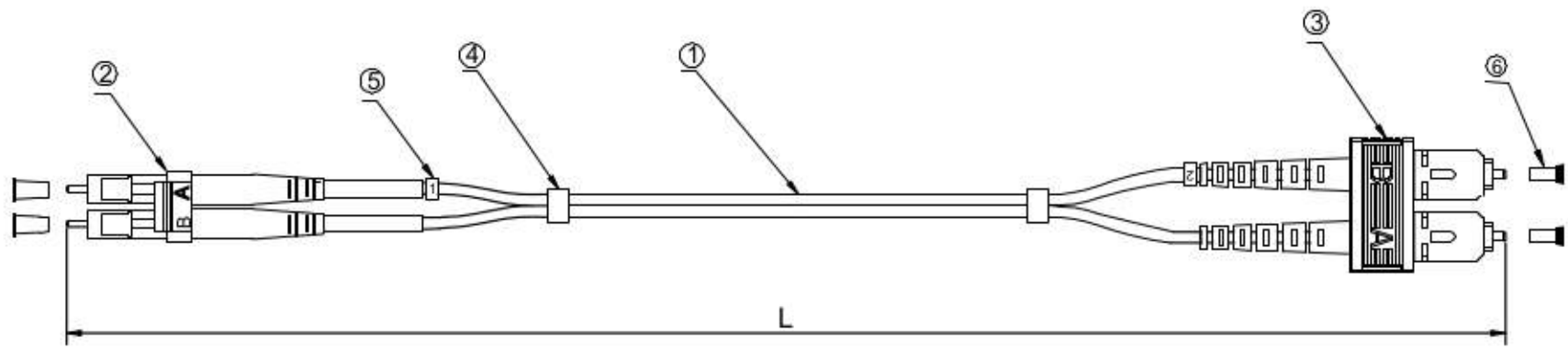


RoHS
Compliant

VERSION	DESCRIPTION	DATE
1.0	New Release	2018/4/12



PART NO	DRAWING NO	CABLE LENGTH "L"	COLOR
912M-2-3-00100-G	671-450-A	1000±100	aqua
912M-2-3-00200-G	671-450-B	2000±100	aqua
912M-2-3-00300-G	671-450-C	3000±100	aqua
912M-2-3-00500-G	671-450-D	5000±100	aqua
912M-2-3-00700-G	671-450-E	7000±100	aqua
912M-2-3-01000-G	671-450-F	10000±100	aqua
912M-2-3-01500-G	671-450-G	15000±100	aqua
912M-2-3-02000-G	671-450-H	20000±100	aqua
912M-2-3-02500-G	671-450-I	25000±100	aqua

NOTES:
Insertion loss < 0.3 dB

6	Dust Cover
5	1/2 Code
4	Shrinkage Tube
3	SC MM Duplex Connector (Beige housing Red/black boot)
2	LC MM Duplex Connector (Beige housing White boot)
1	2.0mm,Duplex,MM-50/125 OM3, PVC, Optical Fiber Cable(Aqua)
No.	Description

CnC Tech, LLC
Industrial Cable and Connector Technology

		TITLE	Patch Cord, LC-SC,MM-50/125 OM3, Duplex, PVC, aqua, 2.0mm, xxm		
		P/N		DRAWN BY	
UNIT	mm	Customer P/N	912M-2-3-0xxxx-G	CHECK BY	
<small>unless otherwise stated mm Tolerances XXX.XX ±0.3 XX.XX ±0.2 X.XX ±0.1</small>		SIZE	A4	SCALE	Free
		PAGE	1/1	APPROVAL BY	