

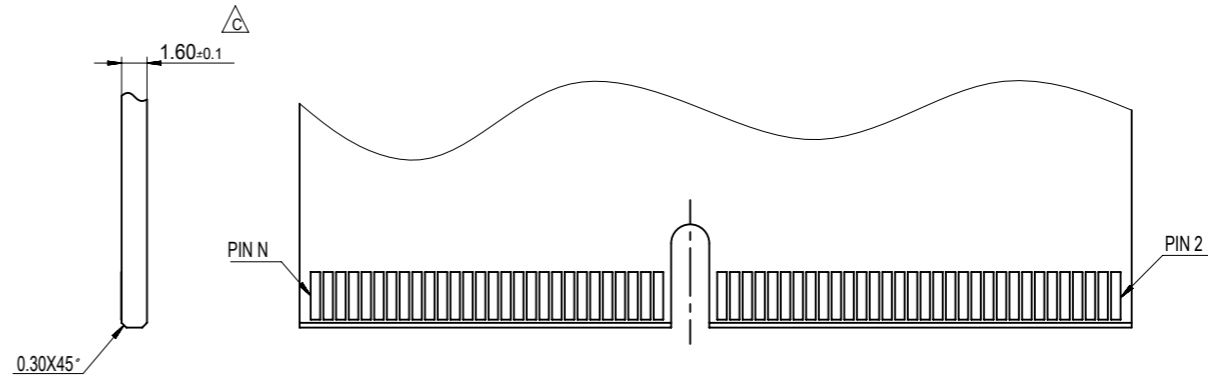
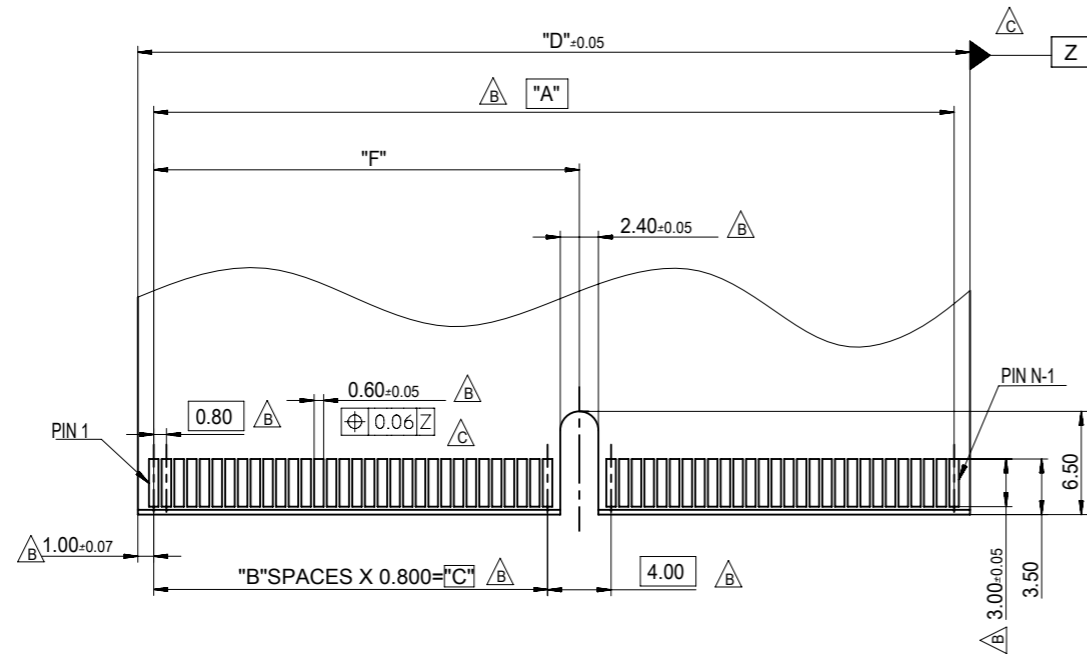
No OF POS	"A"	"B"	"C"	"D"	"E"	"F"	"G"
140ckt	30.80	36	28.80	60.55	63.80	58.40	61.40

- NOTES:
- MATERIAL:
HOUSING: LIQUID CRYSTAL POLYMER 30% GLASS FIBER UL 94V-0 RATED
COLOR: BLACK
CONTACT: PHOSPHOR BRONZE.
 - PLATING:
TERMINAL :
CONTACT AREA: SEE TABLE
SOLDER TAIL AREA : 100 MICRONCH MIN. TIN OVER 50 MICRONCH MIN. NICKEL.OVERALL
 - PRODUCT SPECIFICATION: PS-48191-001
 - PACKAGING SPECIFICATION: PK-48191-001
 - TEST SUMMARY : TS-48191-001
 - COPLANARITY SHOULD BE 0.1mm MAX
 - LEAD FREE AND ROHS COMPLIANCE PRODUCT.
 - DATE CODE:XX<YEAR> XX<WEEK> X<LOCATION>

48191-4000	140	GOLD 15 MICROINCH		
MOLEX P/N	CKT	CONTACT PLATING		
DOCUMENT STATUS	P1	RELEASE DATE	2020/07/21	04:43:00

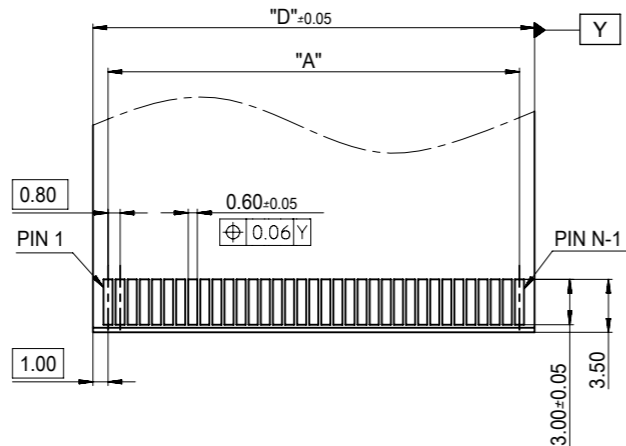
THIS DRAWING CONTAINS INFORMATION THAT IS PROPRIETARY TO MOLEX ELECTRONIC TECHNOLOGIES, LLC AND SHOULD NOT BE USED WITHOUT WRITTEN PERMISSION		CURRENT REV DESC: OBSOLETE PART NUMBER		molex	
DIMENSION UNITS	SCALE				
mm	1:1			0.8MM EDGE CARD CONNECTOR SMT TYPE	
GENERAL TOLERANCES (UNLESS SPECIFIED)				PRODUCT CUSTOMER DRAWING	
				DOCUMENT NUMBER	
				SD-48191-001	
				DOC TYPE	
				PSD	
				DOC PART	
				001	
				REVISION	
				F1	
DRAFT WHERE APPLICABLE MUST REMAIN WITHIN DIMENSIONS		THIRD ANGLE PROJECTION	DRAWING	SERIES	MATERIAL NUMBER
			A3-SIZE	48191	SEE TABLE
					CUSTOMER
					GENERAL MARKET
					SHEET NUMBER
					1 OF 2

RECOMMENDED PCB MODULE LAYOUT (FOR 80~200CKT)



POSITION	"A"	"B"	"C"	"D"	"F"
140ckt	58.400	36	28.800	60.400	30.800

RECOMMENDED PCB MODULE LAYOUT (FOR 40~70CKT)



THIS DRAWING CONTAINS INFORMATION THAT IS PROPRIETARY TO MOLEX ELECTRONIC TECHNOLOGIES, LLC AND SHOULD NOT BE USED WITHOUT WRITTEN PERMISSION

DIMENSION UNITS	SCALE	CURRENT REV DESC: OBSOLETE PART NUMBER		molex		
mm	1:1					
GENERAL TOLERANCES (UNLESS SPECIFIED)				0.8MM EDGE CARD CONNECTOR SMT TYPE		
				PRODUCT CUSTOMER DRAWING		
4 PLACES	±	±	EC NO: 638770	DOCUMENT NUMBER		DOC TYPE
3 PLACES	±	±	DRWN: VLOKESHA	2020/03/11	SD-48191-001	PSD
2 PLACES	±	0.25	CHK'D: GGA	2020/07/21		
1 PLACE	±	0.25	APPR: GGA	2020/07/21	DOC PART	REVISION
0 PLACES	±	±	INITIAL REVISION:	2005/10/15		F1
ANGULAR TOL		± 3.0°	DRWN: TOM	2005/10/15		
DRAFT WHERE APPLICABLE MUST REMAIN WITHIN DIMENSIONS		THIRD ANGLE PROJECTION	APPR: WILSON	SERIES	MATERIAL NUMBER	CUSTOMER
				A3-SIZE	48191	GENERAL MARKET
					SEE TABLE	2 OF 2