

# 1559-1610 MHz GNSS EMBEDDED CHIP ANTENNA

Part Numbers: 2108824-1

## FEATURES & BENEFITS

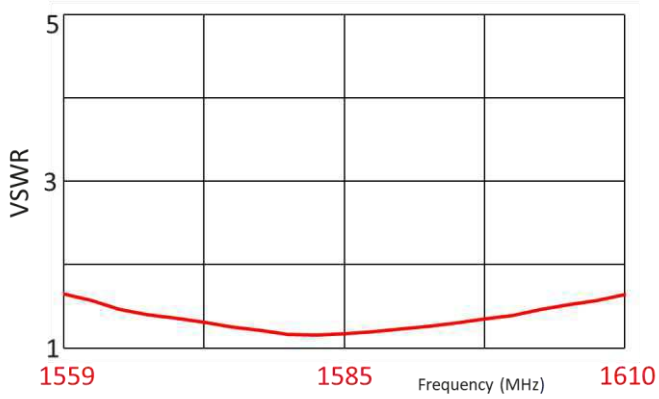
- L1+G1 bands for GNSS
- Embedded Ceramic Chip Antenna
- On Board SMD Antenna
- Available in tape & reel
- The following data is based on 80 x 40 mm ground size

## SPECIFICATIONS

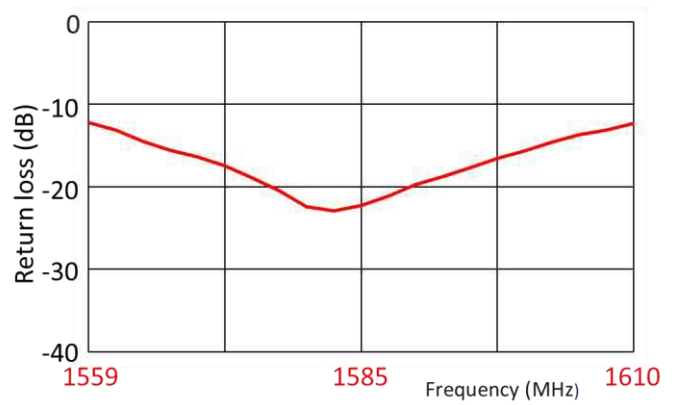
Frequency Range (MHz)	1559-1610
VSWR	< 1.7:1
Average Efficiency	80%
Peak Gain	2.9 dBi
Average Gain	-1.0dBi
Feed Point Impedance	50 ohms
Polarization	Linear
Size	10.0 mm x 3.0 mm x 1.5 mm
Weight	< 0.11 g
Mounting	Surface mount
Mating Connector	N/A
Cable	N/A
Operating Temperature	-40 to +85°C
Storage Temperature	-40 to +85°C
Hazardous Materials	A certificate of conformance is available from the product page on TE website.

## RF DATA

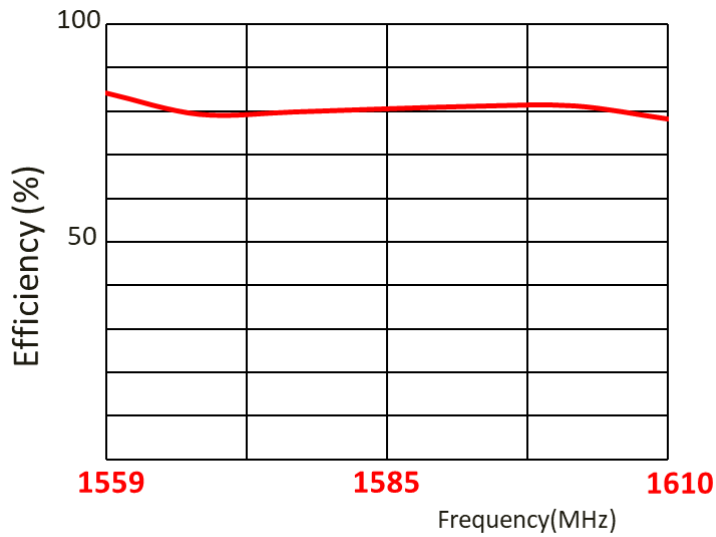
### VSWR



### Return Loss

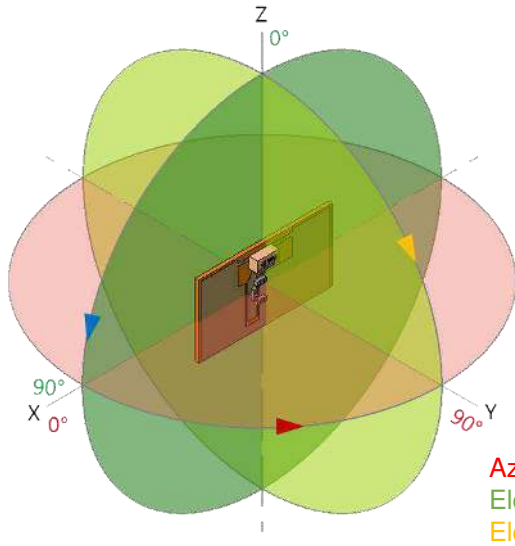


### Efficiency



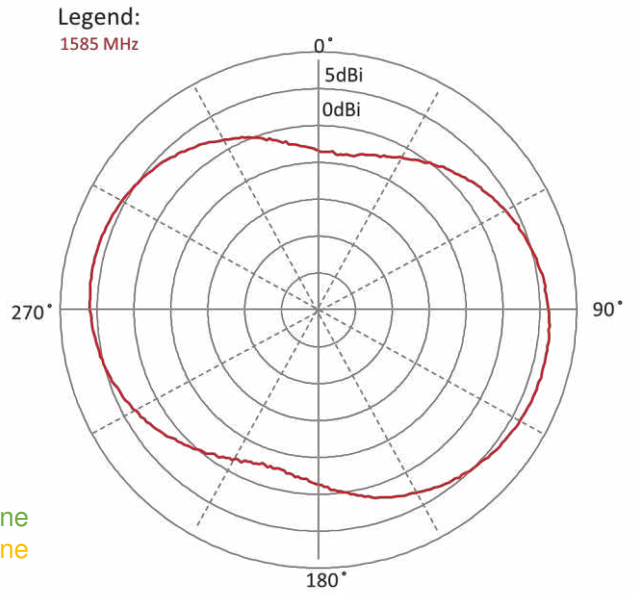
# RADIATION PATTERN

## Test setup

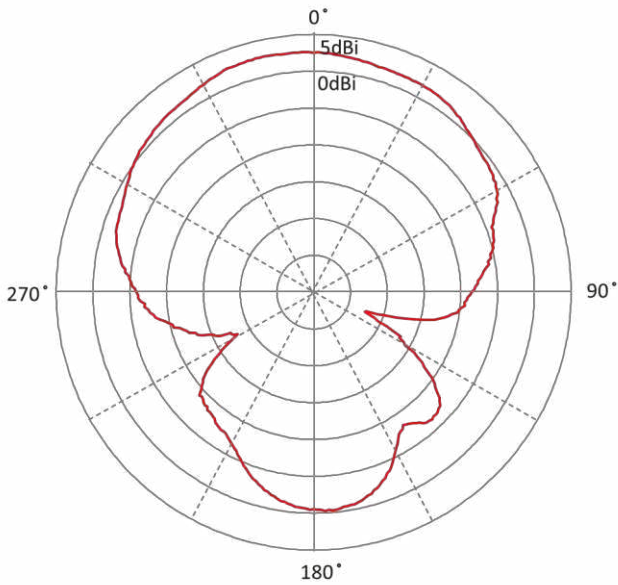


Azimuth Plane  
Elevation 1 Plane  
Elevation 2 Plane

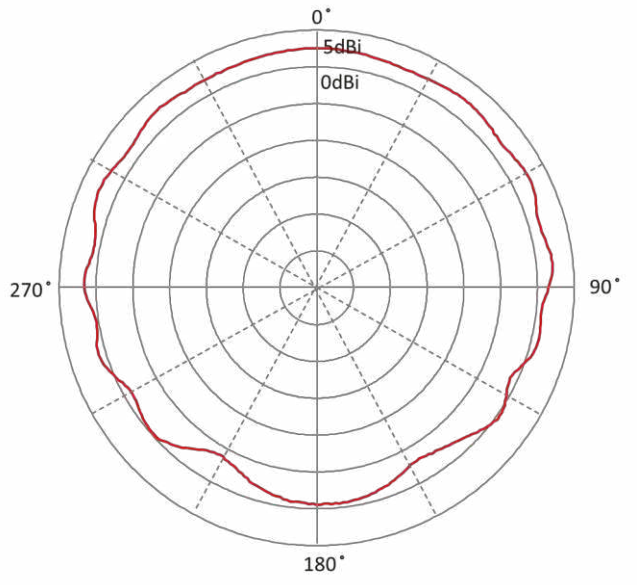
## Azimuth



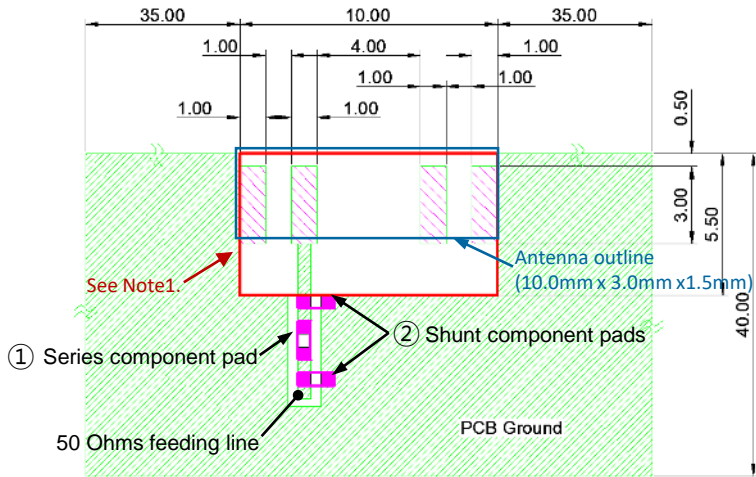
## Elevation 1




## Elevation 2



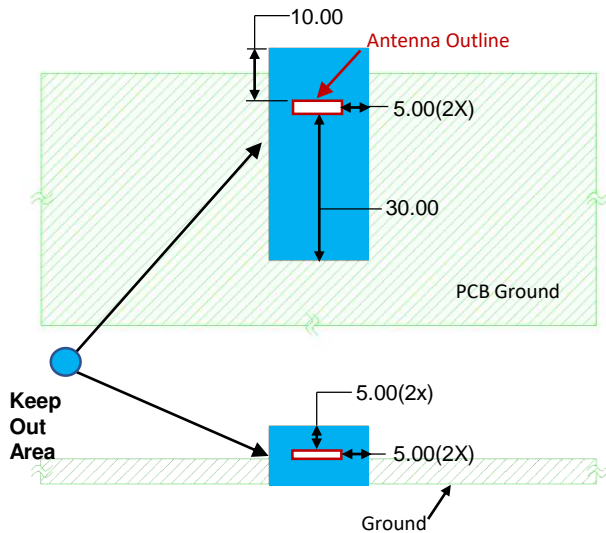
## MOUNTING GUIDE



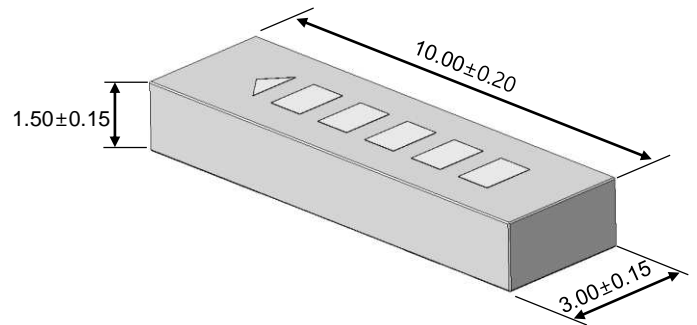
Dimension: mm  
Diagrams is not to scale

- NOTES: 1. No copper allowed in designated area on all PCB layers –   
 2. Measured with above matching circuit condition.  
 3. For more information please call TE.  
 4. Measured with below matching circuit condition.  
 ① 100pF ② NC

## KEEP OUT AREA



## DIMENSIONS

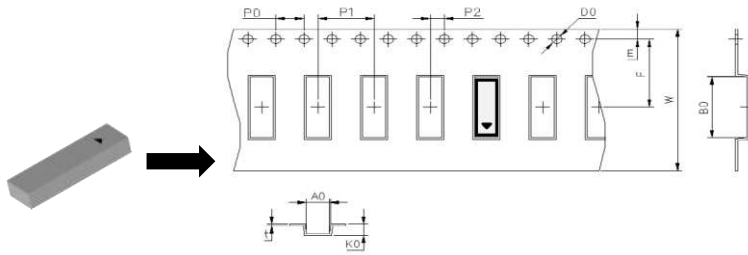


Dimension: mm  
Diagrams is not to scale

# 1559-1610 MHz GNSS EMBEDDED CHIP ANTENNA

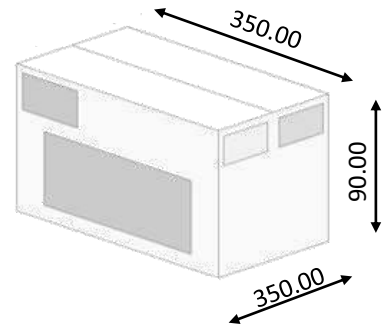
Standard Antenna Solutions

## PACKAGING

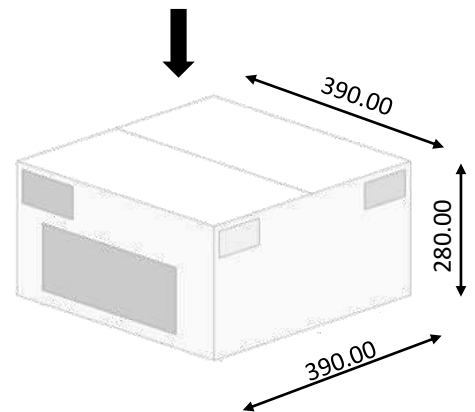


Item	Spec	Item	Spec	Item	Spec
A0	3.30 ±0.10	P0	4.00 ±0.10	E	1.75 ±0.10
B0	10.30 ±0.10	P1	8.00 ±0.10	F	11.50 ±0.10
K0	1.65 ±0.10	P2	2.00 ±0.10	W	24.00 ±0.30
D0	1.55 ±0.05	-	-	t	0.30 ±0.05

4,000pcs/1Reel  
Ø13" x 24 mm



4,000pcs/1 Reel  
1 Reel/1 Inner box



12,000pcs/3 Inner box  
3 Inner box/1 Outer box

### TE TECHNICAL SUPPORT CENTER

- USA: +1 (800) 522-6752
- Canada: +1 (905) 475-6222
- Mexico: +52 (0) 55-1106-0800
- Latin/S. America: +54 (0) 11-4733-2200
- Germany: +49 (0) 6251-133-1999
- UK: +44 (0) 800-267666
- France: +33 (0) 1-3420-8686
- Netherlands: +31 (0) 73-6246-999
- China: +86 (0) 400-820-6015

For phone numbers in other countries, go to [te.com/support-center](http://te.com/support-center)

### te.com

TE Connectivity, TE Connectivity (logo) are trademarks. All other logos, products and/or company names referred to herein might be trademarks of their respective owners.

The information given herein, including drawings, illustrations and schematics which are intended for illustration purposes only, is believed to be reliable. However, TE Connectivity makes no warranties as to its accuracy or completeness and disclaims any liability in connection with its use. TE Connectivity's obligations shall only be as set forth in TE Connectivity's Standard Terms and Conditions of Sale for this product and in no case will TE Connectivity be liable for any incidental, indirect or consequential damages arising out of the sale, resale, use or misuse of the product. Users of TE Connectivity products should make their own evaluation to determine the suitability of each such product for the specific application.

© 2020 TE Connectivity Ltd. family of companies All Rights Reserved.

03/2023