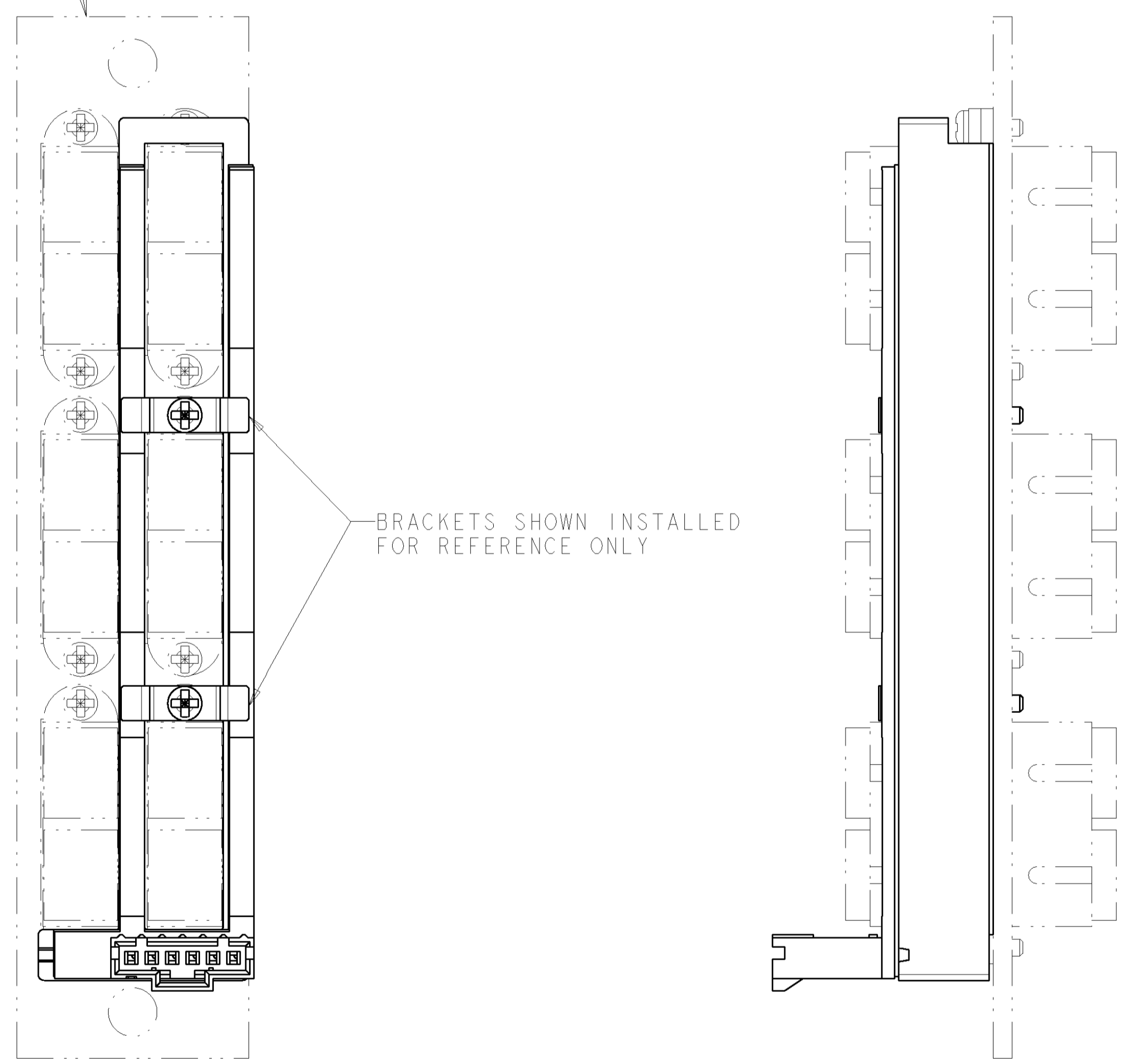
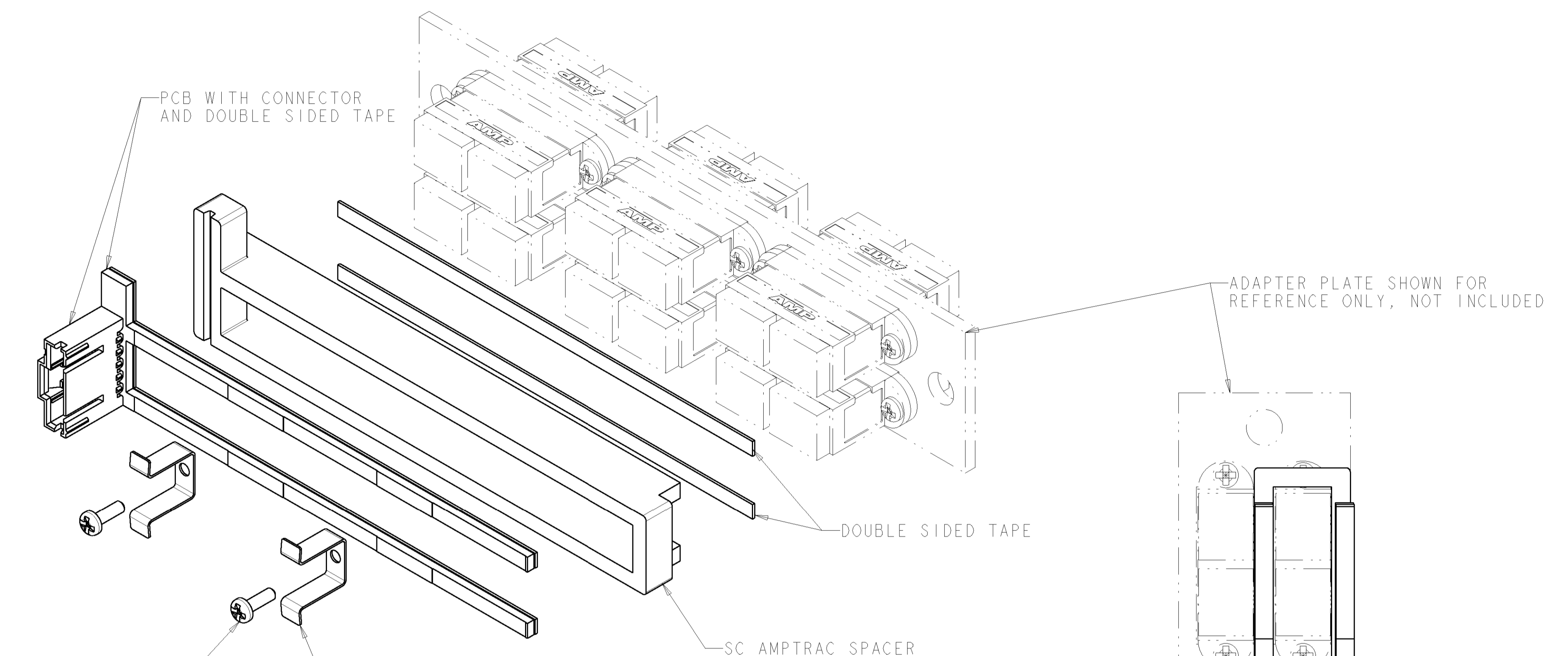


LOC		DIST		REVISIONS			
P	LTR	DESCRIPTION	DATE	DRN	APVD		
A		REDWN. REV: EC 0B60-0091-04	21OCT2004	GG	MD		

△ MATERIAL:
 PRINTED CIRCUIT BOARD - LAMINATED PLASTIC, FR-4.
 SC AMPTRAC SPACER - THERMOPLASTIC.
 PCB HOLDING BRACKETS - STAINLESS STEEL.
 PCB CONNECTOR - FLAME RETARDENT THERMOPLASTIC,
 CONTACTS BRASS.



1435685-1
 PART NUMBER

<small>THIS DRAWING IS UNPUBLISHED. RELEASED FOR PUBLICATION. THE INFORMATION IS CONTAINED HEREIN IS UNCLASSIFIED EXCEPT WHERE SHOWN OTHERWISE. IT IS THE PROPERTY OF TYCO ELECTRONICS CORPORATION AND IS TO BE CONTAINED AND CONTROLLED BY TYCO ELECTRONICS CORPORATION. IT IS TO BE CONTROLLED BY THE USER'S ORGANIZATION.</small>		DWN: G. GARRETT 21OCT2004 ENR: M. DELPHIAS 21OCT2004 APVD: M. DELPHIAS 21OCT2004	tyco Electronics Tyco Electronics Harrisburg, PA 17105-3608
DIMENSIONS: MM [INCHES]	TOLERANCES UNLESS OTHERWISE SPECIFIED: 0 PLC ± 1 PLC ± 2 PLC ± 3 PLC ± 4 PLC ± ANGLES ± FINISH -	NAME: RETROFIT FOR 6 SC DUPLEX ADAPTER PLATE OR CASSETTE - AMPTRAC PRODUCT SPEC: APPLICATION SPEC: SIZE: CAGE CODE: DRAWING NO: WEIGHT: A100779C=1435685 CUSTOMER DRAWING	RESTRICTED TO: SCALE: 2:1 SHEET 1 OF 1 REV A