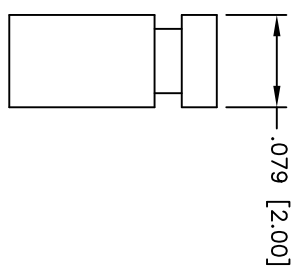
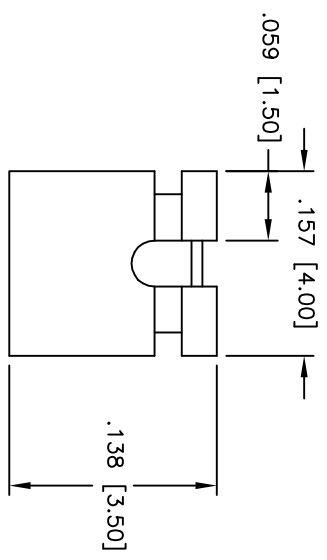
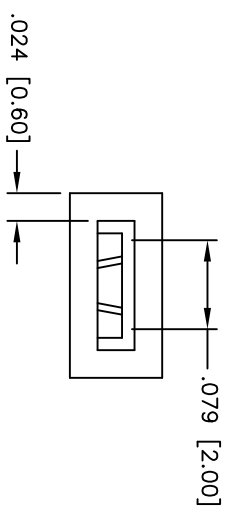


APPROVED: \_\_\_\_\_  
 DATE: \_\_\_\_\_ TITLE: \_\_\_\_\_

| Rev | AWO # | Description   | Date     | Appr |
|-----|-------|---------------|----------|------|
| -   |       | RELEASED      | 4/1/05   |      |
| A   |       | REVISED SHAPE | 12/18/12 |      |



**SPECIFICATIONS:**

**Material:**  
 Insulator: PBT, glass reinforced, rated UL 94V-0  
 Insulator color: Black  
 Contacts: Phosphor Bronze  
**Plating:**  
 G = Gold flash over Nickel underplate overall  
 T = Tin over Copper underplate overall  
**Electrical:**  
 Operating voltage: 250 VAC max  
 Current rating: 1 Amp max  
 Contact resistance: 20 mohms max  
 Insulation resistance: 5,000 Mohms min  
 Dielectric withstanding voltage: 1,000 VAC for 1 minute  
 Temperature Rating:  
 Operating temperature: -55°C to +105°C  
**Environmental:**  
 Lead free, RoHS compliant



UNLESS OTHERWISE SPECIFIED  
 ALL DIMENSIONS ARE INCHES [MM]  
 TOLERANCES: EXCEPT AS NOTED  
 INCHES HOLEES  
 .X ± .10 ØXX ± .10  
 .XX ± .020 ØXXX ± .015  
 .XXX ± .015 ØXXX ± .010  
 APPROVALS DATE

|          |    |        |
|----------|----|--------|
| DRAWN    | SS | 4/1/05 |
| CHECKED  |    |        |
| APPROVED |    |        |

**ADAM TECH**

909 Rahway Avenue, Union, NJ 07083  
 Phone: 908-687-5000 Fax: 908-687-5710

TITLE  
**.079 [2.00] MINI SHUNT, OPEN TOP**  
**.138 [3.50] HEIGHT**

|      |          |       |        |      |
|------|----------|-------|--------|------|
| SIZE | PART NO. | SCALE | SHEET  | REV. |
| X    | MS2B-X   | NTS   | 1 OF 1 | A    |