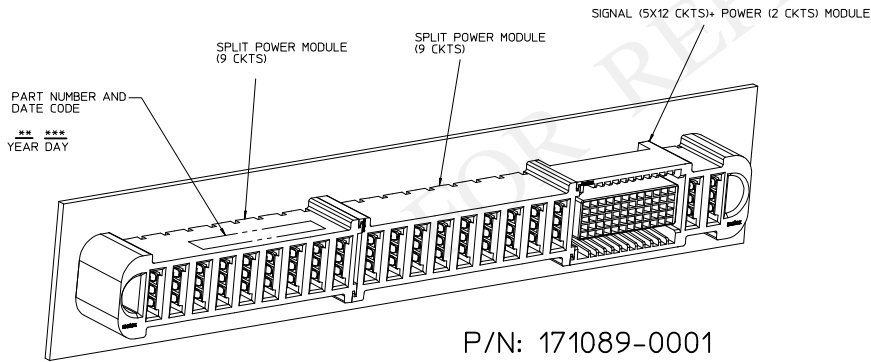
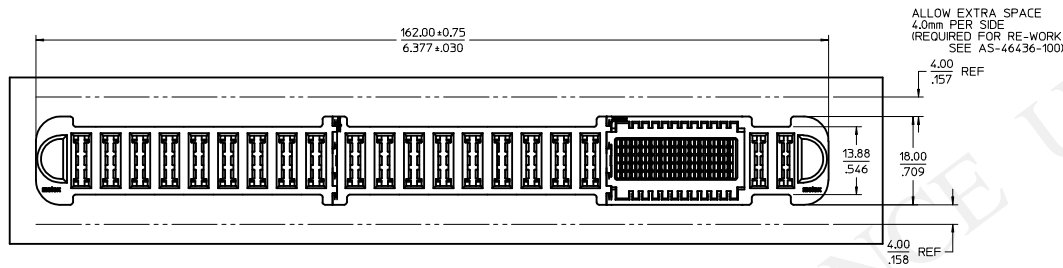
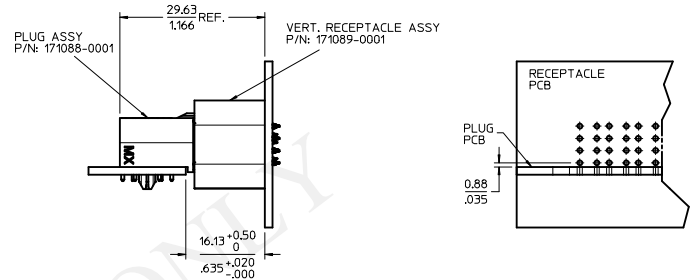
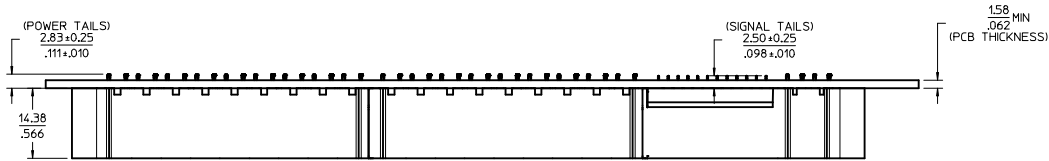
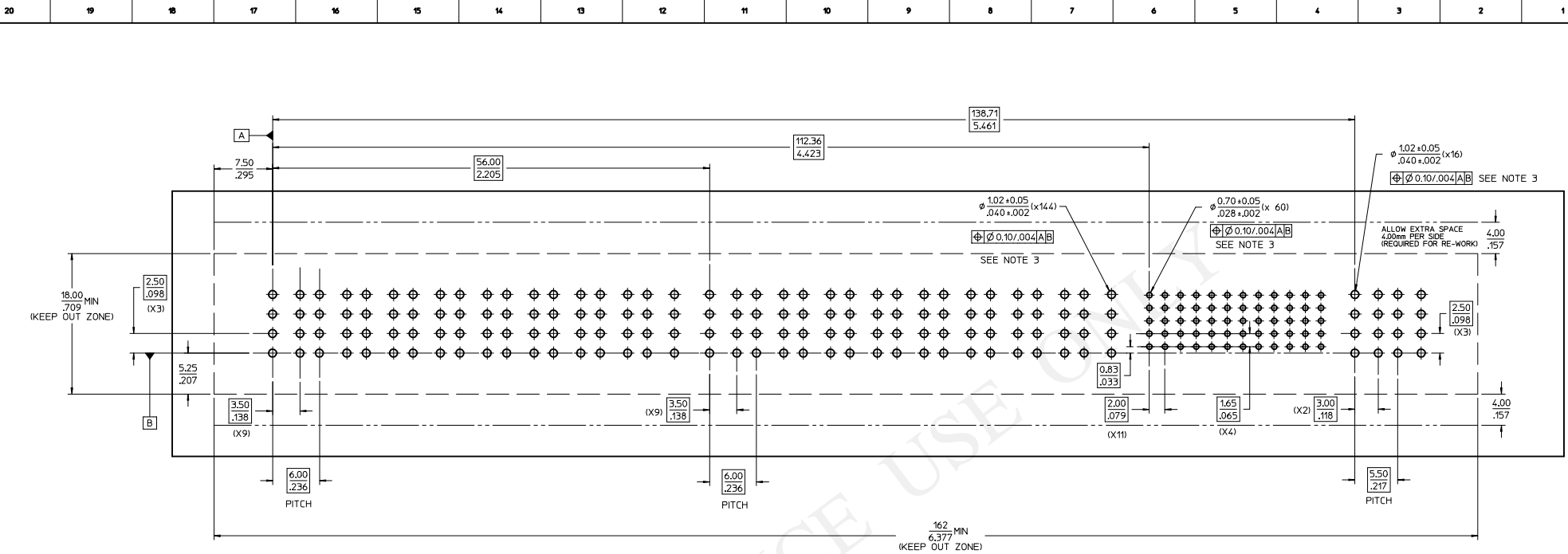


3D MODEL NO: TM-171088-0001



- NOTES:
- MATERIAL:
 - HOUSINGS: LCP UL94, V-0, COLOR: BLACK.
 - TERMINALS: COPPER ALLOY.
 - PLATING: 1.27 MICROMETER (50 MICROINCH) NICKEL OVERALL WITH 25.4 MICROMETER (100 MICROINCH) SELECTIVE TIN ON TAILS AND 0.762 MICROMETER (30 MICROINCH) SELECTIVE GOLD ON CONTACT AREA
 - PACKAGING: ASSEMBLIES TO BE TRAY PACKED PER PACKAGING SPEC PK-171089-0001
 - PLATED THRU HOLE SIZE REFERS TO PS-171088-0000 FOR DETAILS
 - PRODUCT SPEC: PS-171088-0000
 - APPLICATION SPEC: AS-46436-100
 - SEE PRODUCT SPEC FOR RoHS REQUIREMENTS
 - ASSEMBLY MATES TO MOLEX PLUG ASSEMBLY P/N 171088-0001
 - TAIL DESIGN: COMPLIANT PIN
 - POWER AND SIGNAL CONTACTS ARE LUBRICATED.

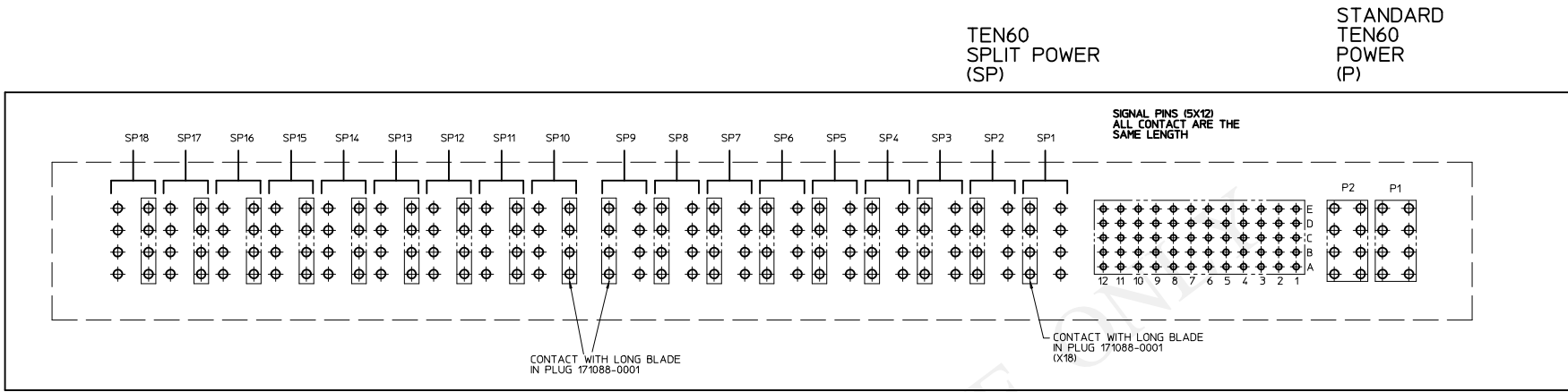
REVISE NOTE IEC NO. UCP2016-1405 DRAWN: JUILLES 2015/09/30 CHECKED: LIN 2015/09/30 APPR: JUILLES 2015/09/30 REV. DESCRIPTION	QUALITY SYMBOLS ▽=0 ▽=0 ▽=0		GENERAL TOLERANCES (UNLESS SPECIFIED) mm INCH 4 PLACES ± --- ± --- 3 PLACES ± --- ± .010 2 PLACES ± 0.13 ± --- 1 PLACE ± 0.25 ± --- ANGULAR ±1/2°		DIMENSION STYLE MM/IN DRAWN BY DATE VL IN 2011/05/19 CHECKED BY DATE APPROVED BY DATE VL IN 2012/10/10		SCALE 2:1 DESIGN UNITS METRIC THIRD ANGLE PROJECTION		TITLE TEN60 SPLIT POWER VERT RECEPTACLE ASSY G-2P-60S-9SP-9SP-G	
	DRAFT WHERE APPLICABLE MUST REMAIN WITHIN DIMENSIONS				MATERIAL NO. 171089-0001		DOCUMENT NO. SD-171089-0001		SHEET NO. 1 OF 3	
	THIS DRAWING CONTAINS INFORMATION THAT IS PROPRIETARY TO MOLEX INCORPORATED AND SHOULD NOT BE USED WITHOUT WRITTEN PERMISSION									
	SIZE D									



RECOMMENDED PCB LAYOUT AND KEEP OUT ZONE
(SEE SHEET 3 FOR PIN ASSIGNMENT)

FOR REFERENCE USE ONLY

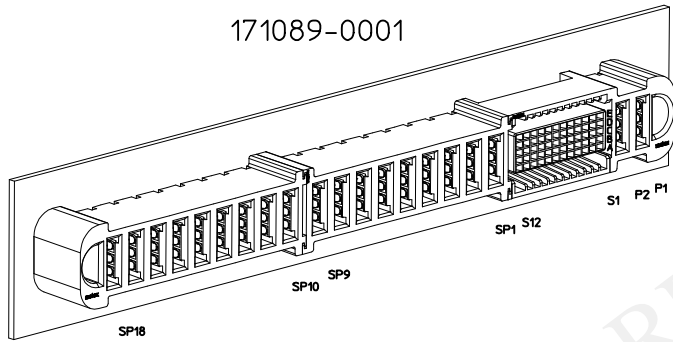
SEE SHEET 1 IEC NO. UCP2016-1405 DRAWN: JUILLES 2015/09/30 CHKD: LIN 2015/09/30 APPR: JUILLES 2015/09/30 REV DESCRIPTION	QUALITY SYMBOLS ∇=0 ∇=0 ∇=0		GENERAL TOLERANCES (UNLESS SPECIFIED) <table border="1"> <thead> <tr> <th></th> <th>mm</th> <th>INCH</th> </tr> </thead> <tbody> <tr> <td>4 PLACES</td> <td>± .005</td> <td>± .0004</td> </tr> <tr> <td>3 PLACES</td> <td>± .010</td> <td>± .0008</td> </tr> <tr> <td>2 PLACES</td> <td>± 0.13</td> <td>± .005</td> </tr> <tr> <td>1 PLACE</td> <td>± 0.25</td> <td>± .010</td> </tr> </tbody> </table>			mm	INCH	4 PLACES	± .005	± .0004	3 PLACES	± .010	± .0008	2 PLACES	± 0.13	± .005	1 PLACE	± 0.25	± .010	DIMENSION STYLE MM/IN	SCALE 4:1	DESIGN UNITS METRIC	THIRD ANGLE PROJECTION
		mm	INCH																				
	4 PLACES	± .005	± .0004																				
	3 PLACES	± .010	± .0008																				
2 PLACES	± 0.13	± .005																					
1 PLACE	± 0.25	± .010																					
DRAFT WHERE APPLICABLE MUST REMAIN WITHIN DIMENSIONS			DRAWN BY DATE VLIN 2011/05/19		TITLE TEN60 SPLIT POWER VERT RECEPTACLE ASSY G-2P-60S-9SP-9SP-G																		
			CHECKED BY DATE VLIN 2012/10/10		MOLEX INCORPORATED																		
			APPROVED BY DATE VLIN 2012/10/10		MATERIAL NO. 171089-0001		DOCUMENT NO. SD-171089-0001	SHEET NO. 2 OF 3															



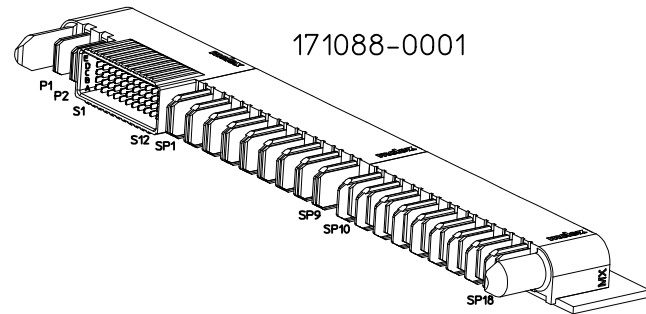
PCB PIN ASSIGNMENT

PLEASE ALSO REFR TO PLUG DRAWING.
P/N: 171088-0001

171089-0001



171088-0001



FOR REFERENCE USE

<p>SEE SHEET 1</p> <p>EC NO: UCP2016-1405 2015/09/30</p> <p>CHKD: JLN 2015/09/30</p> <p>APP: JLN 2015/09/30</p> <p>REV DESCRIPTION</p>	QUALITY SYMBOLS	GENERAL TOLERANCES (UNLESS SPECIFIED)	DIMENSION STYLE	SCALE	DESIGN UNITS	THIRD ANGLE PROJECTION	
	▽=0	4 PLACES ± --- ± ---	MM/IN	4:1	METRIC	☉	
	▽=0	3 PLACES ± --- ± .010					
	▽=0	2 PLACES ± 0.13 ± ---					
		1 PLACE ± 0.25 ± ---					
		ANGULAR ±1/2°					
		DRAFT WHERE APPLICABLE MUST REMAIN WITHIN DIMENSIONS					
			DRAWN BY	DATE	TITLE		
			VL IN	2011/05/19	TEN60 SPLIT POWER VERT RECEPTACLE ASSY		
			CHECKED BY	DATE	G-2P-60S-9SP-9SP-G		
			APPROVED BY	DATE	MOLEX INCORPORATED		
			VL IN	2012/10/10			
			MATERIAL NO.	DOCUMENT NO.	SHEET NO.		
			171089-0001	SD-171089-0001	3 OF 3		
			THIS DRAWING CONTAINS INFORMATION THAT IS PROPRIETARY TO MOLEX INCORPORATED AND SHOULD NOT BE USED WITHOUT WRITTEN PERMISSION				