



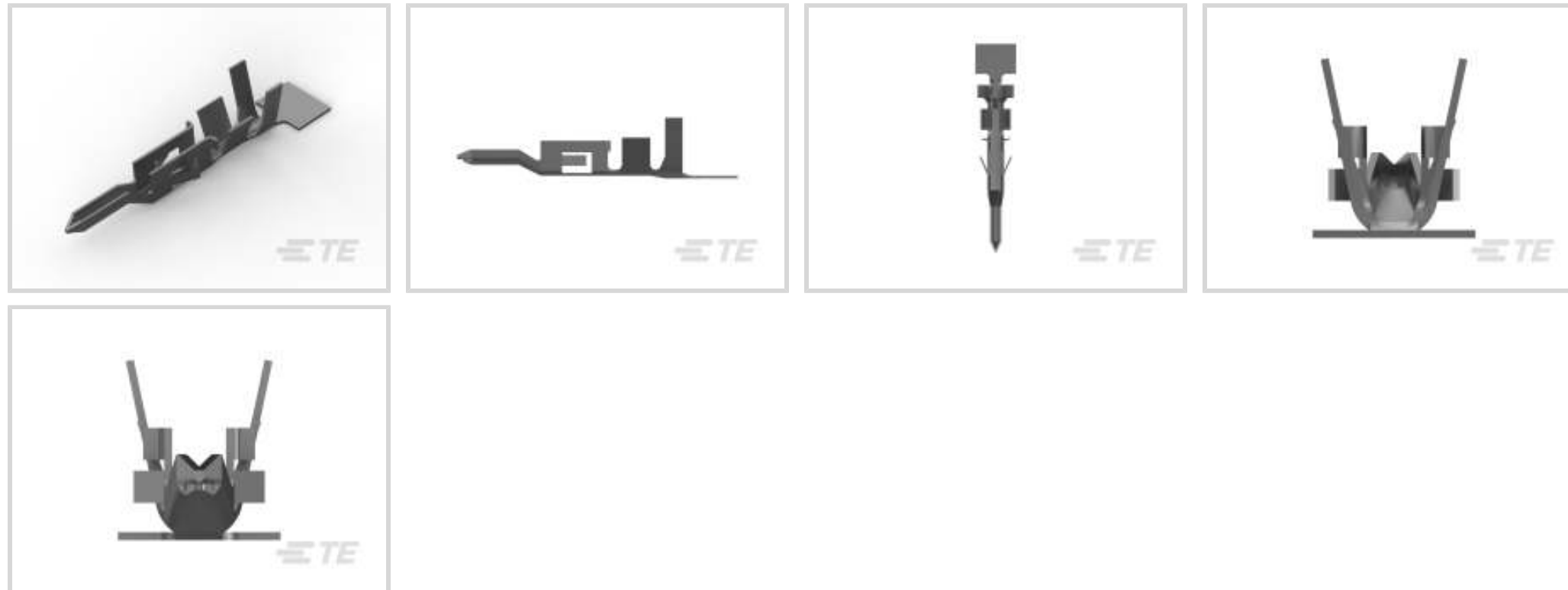
VAL-U-LOK

TE Internal #: 1586054-1

Power Contacts, Contact, 600 VAC, Tin, 16 AWG Wire Size, 1.31 mm<sup>2</sup> Wire Size, Wire & Cable, Crimp, Power, Pin, -40 – 105 °C [-40 – 221 °F], Brass

[View on TE.com >](#)

Connectors > Power Connectors > Power Contacts



Power Contact Type: **Contact**

Operating Voltage: **600 VAC**

Contact Mating Area Plating Material: **Tin**

Wire Size: **1.31 mm<sup>2</sup>**

**Features**

**Product Type Features**

Power Contact Type	Contact
Connector & Contact Terminates To	Wire & Cable

**Electrical Characteristics**

Operating Voltage	600 VAC
-------------------	---------

**Contact Features**

Contact Mating Area Plating Material	Tin
Contact Current Rating (Max)	9 A
Contact Type	Pin
Contact Retention Within Housing	With
Mating Square Post Dimension	1.14 mm[.045 in]
Contact Base Material	Brass
Contact Mating Area Plating Material Thickness	2.54 μm[100 μin]
Wire Contact Termination Area Plating Thickness	2.54 μm[100 μin]
Wire Contact Termination Area Plating Material	Pre-Tin
Wire Contact Termination Area Plating Material Finish	Bright



Contact Orientation	Straight
---------------------	----------

### Termination Features

Termination Method to Wire & Cable	Crimp
------------------------------------	-------

### Mechanical Attachment

Wire Insulation Support	Without
-------------------------	---------

### Dimensions

Wire Size	1.31 mm <sup>2</sup>
-----------	----------------------

Compatible Insulation Diameter Range	3.1 mm [.122 in]
--------------------------------------	------------------

### Usage Conditions

Operating Temperature Range	-40 – 105 °C [-40 – 221 °F]
-----------------------------	-----------------------------

### Operation/Application

Circuit Application	Power
---------------------	-------

### Packaging Features

Packaging Quantity	3500
--------------------	------

Packaging Method	Reel
------------------	------

## Product Compliance

[For compliance documentation, visit the product page on TE.com>](#)

EU RoHS Directive 2011/65/EU	Compliant
------------------------------	-----------

EU ELV Directive 2000/53/EC	Compliant
-----------------------------	-----------

China RoHS 2 Directive MIIT Order No 32, 2016	No Restricted Materials Above Threshold
---	---

EU REACH Regulation (EC) No. 1907/2006	Current ECHA Candidate List: JUNE 2023 (235) Candidate List Declared Against: JAN 2021 (211) Does not contain REACH SVHC
--	--

Halogen Content	Not Yet Reviewed for halogen content
-----------------	--------------------------------------

Solder Process Capability	Not applicable for solder process capability
---------------------------	--

#### Product Compliance Disclaimer

This information is provided based on reasonable inquiry of our suppliers and represents our current actual knowledge based on the information they provided. This information is subject to change. The part numbers that TE has identified as EU RoHS compliant have a maximum concentration of 0.1% by weight in homogenous materials for lead, hexavalent chromium, mercury, PBB, PBDE, DBP, BBP, DEHP, DIBP, and 0.01% for cadmium, or qualify for an exemption to these limits as defined in the Annexes of Directive 2011/65/EU (RoHS2). Finished electrical and electronic equipment products will be CE marked as required by Directive 2011/65/EU. Components may not be CE marked. Additionally, the part numbers that TE has identified as EU ELV compliant have a maximum concentration of 0.1% by weight in homogenous

materials for lead, hexavalent chromium, and mercury, and 0.01% for cadmium, or qualify for an exemption to these limits as defined in the Annexes of Directive 2000/53/EC (ELV). Regarding the REACH Regulation, the information TE provides on SVHC in articles for this part number is based on the latest European Chemicals Agency (ECHA) 'Guidance on requirements for substances in articles' posted at this URL: <https://echa.europa.eu/guidance-documents/guidance-on-reach>

## Compatible Parts

TE Part # 2305570-1  
Strip Terminal Cutter-Side Feed-No Crimp

TE Part # 2825208-1  
VAL-U-LOK PIN 16AWG HCS SN LP

TE Part # 1976444-1  
PRO-CRIMPER TOOL & DIE

TE Part # 2238020-1  
VAL-U-LOK PIN BR TN 22-18 LP

TE Part # 1976444-2  
SDE DIE SET, VAL-U-LOK

TE Part # 2-2151667-1  
OCEAN\_2.0\_Applicator-S-070F125F

TE Part # 2-2151667-2  
OCEAN\_2.0\_Applicator-S-070F125F

TE Part # 2151667-1  
OCEAN\_2.0\_Applicator-S-070F125F

TE Part # 2151667-2  
OCEAN\_2.0\_Applicator-S-070F125F

TE Part # 7-2151667-1  
OCEAN\_2.0\_Applicator-S-070F125F

TE Part # 7-2151667-2  
OCEAN\_2.0\_Applicator-S-070F125F

TE Part # 7-2151667-7  
OCEAN\_2.0\_SPARE\_PART\_KIT-070F125F

## Customers Also Bought

TE Part #172341-1  
MINI UMNL PLUG HOUSING 12P

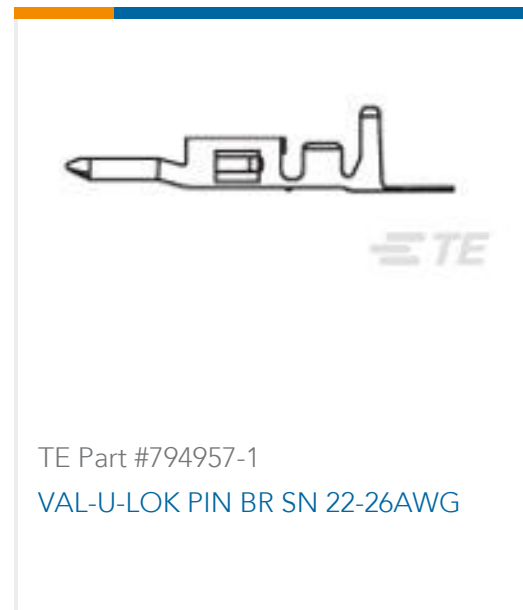
TE Part #2058128-2  
Dust Cap, 4 Posn, Natural

TE Part #1-172161-9  
MINI UNIVERSAL M-N-L CAP 9P

TE Part #1586017-8  
8P FH PLUG VAL-U-LOK V0



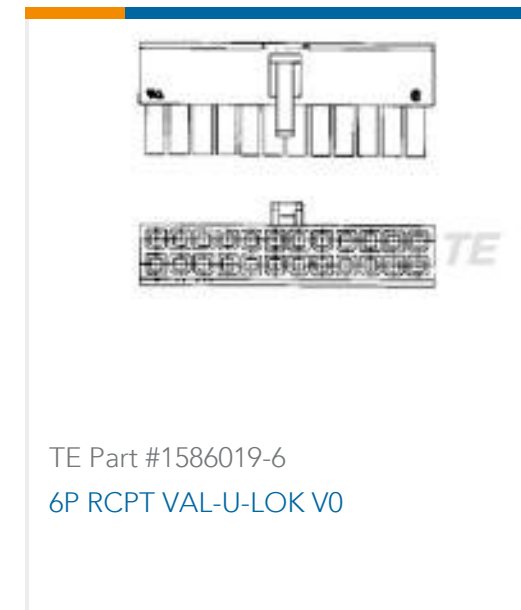
TE Part #1-172169-9  
9 POS TR MINI UNIV



TE Part #794957-1  
VAL-U-LOK PIN BR SN 22-26AWG



TE Part #350699-1  
UMNL SPLIT PIN PTPBR



TE Part #1586019-6  
6P RCPT VAL-U-LOK V0



TE Part #1-172165-9  
2CIR MINI U-M-N-L PLUG BLCK

## Documents

### Product Drawings

[VAL-U-LOK PIN BR SN 16AWG](#)

English

### CAD Files

[3D PDF](#)

3D

Customer View Model

[ENG\\_CVM\\_CVM\\_1586054-1\\_C\\_c-1586054-1-c.2d\\_dxf.zip](#)

English

Customer View Model

[ENG\\_CVM\\_CVM\\_1586054-1\\_C\\_c-1586054-1-c.3d\\_igs.zip](#)

English

Customer View Model

[ENG\\_CVM\\_CVM\\_1586054-1\\_C\\_c-1586054-1-c.3d\\_stp.zip](#)

English

By downloading the CAD file I accept and agree to the [Terms and Conditions](#) of use.

### Datasheets & Catalog Pages

[SOFT\\_SHELL\\_PIN\\_AND\\_SOCKET\\_CONNECTORS\\_CATALOG](#)

English

### Product Specifications

[Application Specification](#)

English

### Product Environmental Compliance

[Product Compliance Document](#)



English

[Product Compliance Document](#)

English

---

[Instruction Sheets](#)

[Instruction Sheet \(U.S.\)](#)

English

---

[Agency Approvals](#)

[VDE Certificate](#)

English