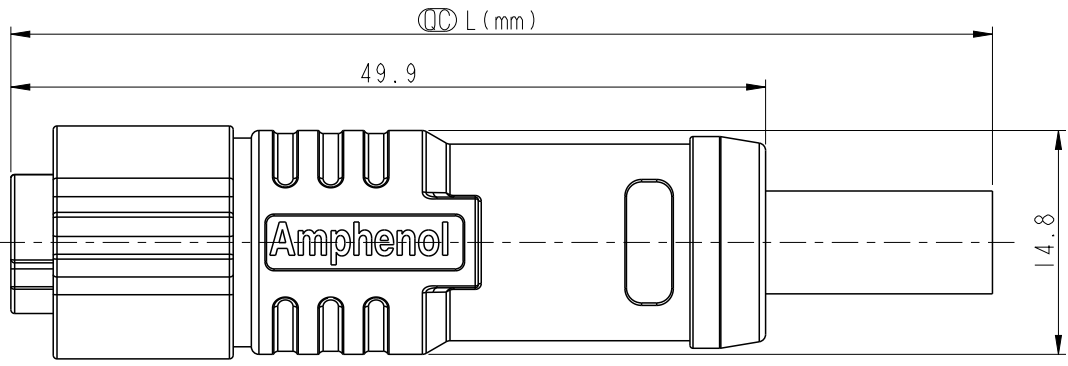
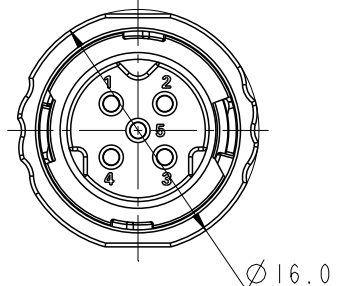


THIS DOCUMENT IS SUBJECT TO CHANGE WITHOUT NOTICE. IT IS CONFIDENTIAL AND A PROPERTY OF Amphenol LTW. DISCLOSURE TO THIRD PARTY HAS TO BE AUTHORIZED BY Amphenol LTW.

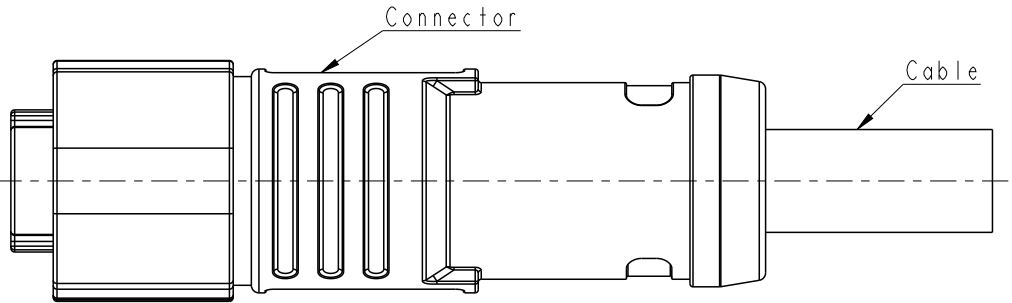
1		2		3		4		5		6		7		8	
5P		PVC		6.8		20		ASD-05BFFM-QL8FXX		REV.	ECN NO.	DATE	SIGN	DESCRIPTION	
Contacts		Cable Jacket		Cable OD		AWG		Item No.		A		2022-01-03	Sam Ho	Rev.01 to A, Initial Released	



ASD-XXBFFM-QL8FXX

XX: L=0~99Meters
 01: L=1Meters
 02: L=2Meters
 :
 99: L=99Meters

XX: No. Of Pin



Note:

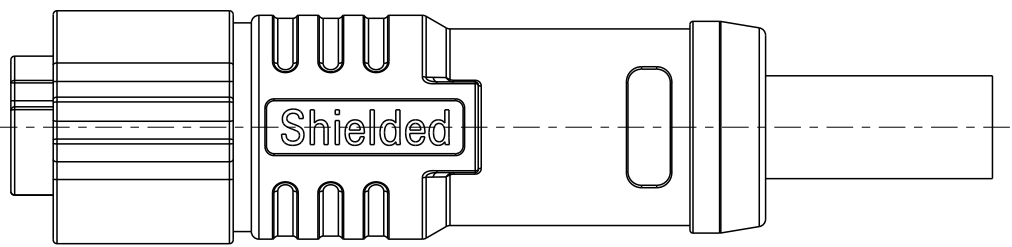
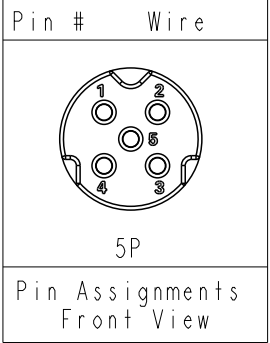
- * RoHS Compliant
- * \varnothing Important dimension
- * Waterproof rate: IPX8, mated 1m/24h
- * Connector

Housing: Thermoplastic, Black
 Pin: Copper alloy, Gold plated
 Shield: Metal
 Nut: Metal
 Outer mold: Thermoplastic, Black

- * Cable: UL21996, PVC Jacket, Black
- * Cable length tolerance:

1M	< L ≤ 3M	: +100/-0 mm
3M	< L ≤ 5M	: +150/-0 mm
5M	< L ≤ 10M	: ±100 mm
10M	< L ≤ 20M	: ±200 mm
20M	< L ≤ 30M	: ±300 mm
30M	< L ≤ 99M	: ±500 mm

Shield Braid	編織
5 Yellow	黃
4 Orange	橘
3 Red	紅
2 Brown	棕
1 Black	黑



UNIT:mm	\varnothing	TITLE	XLOK, A SHLD-5A, 05P, CABLE W/O SR		ITEM NO	ASD-XXBFFM-QL8FXX	DRAWN BY	Sam Ho	DATE	2021-09-15	
TOLERANCE	±0.50mm	SCALE	2:1	SIZE	A4	DWG NO	ASD-XXBFFM-QL8FXX	CHECKED BY	Fred Lee	DATE	2021-09-15
		REV.	A	WC-REV.		CUSTOMER	ALTW	APPROVED BY	Fred Lee	DATE	2021-09-15

Amphenol LTW
 安費諾亮泰企業股份有限公司