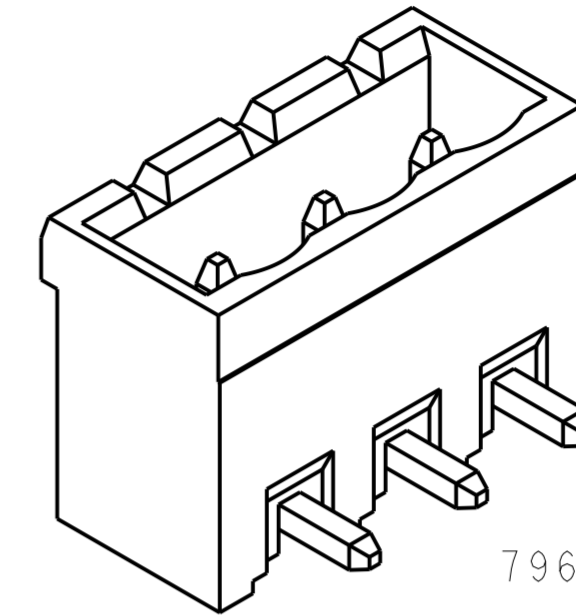
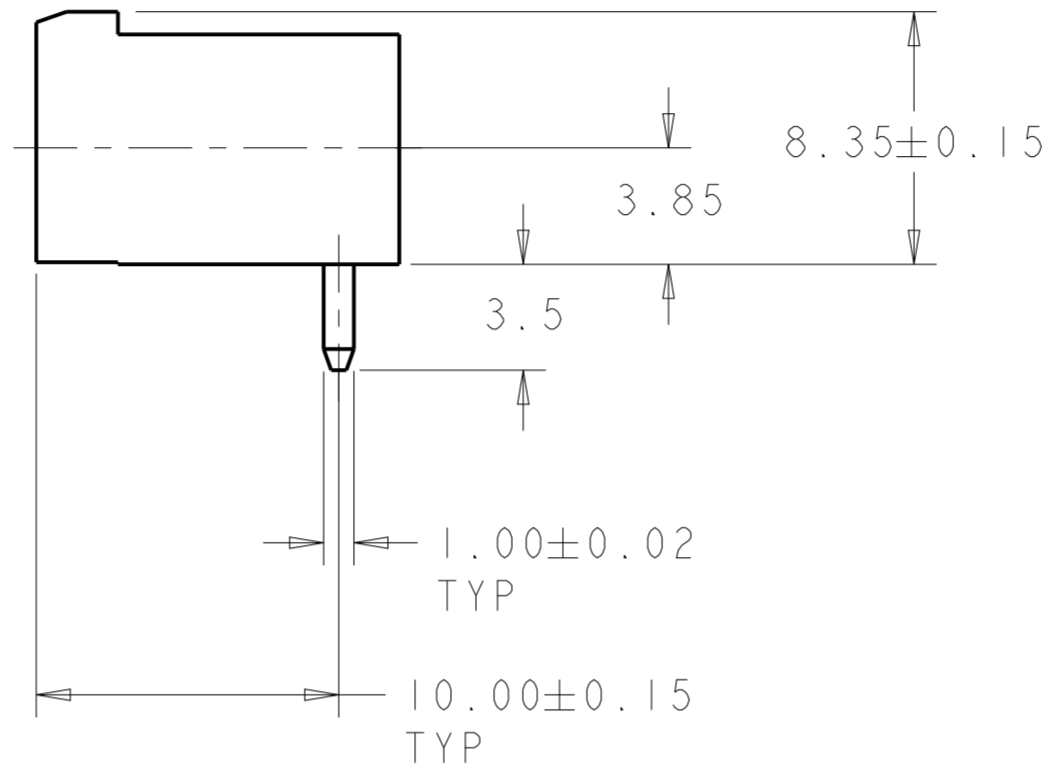
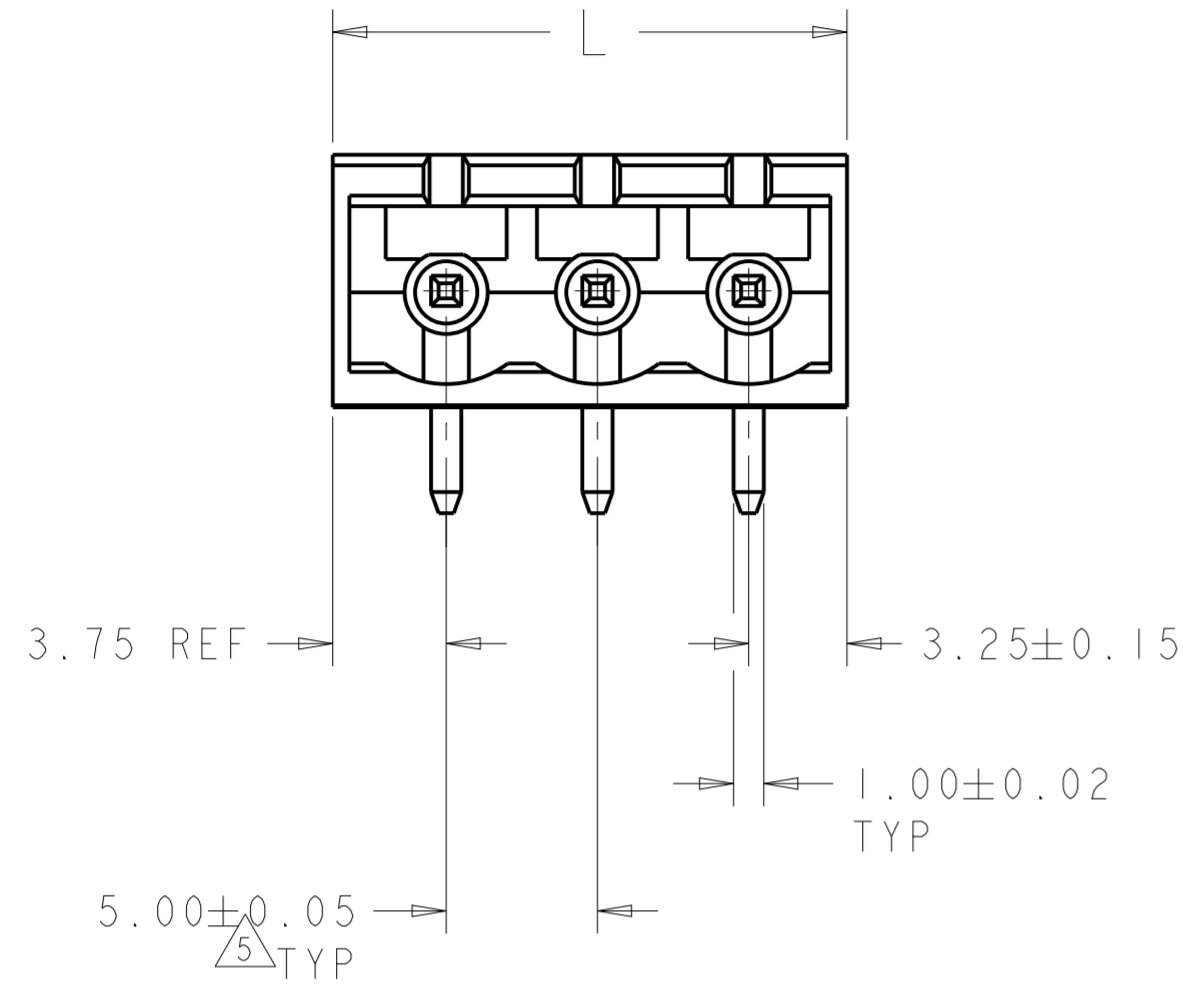
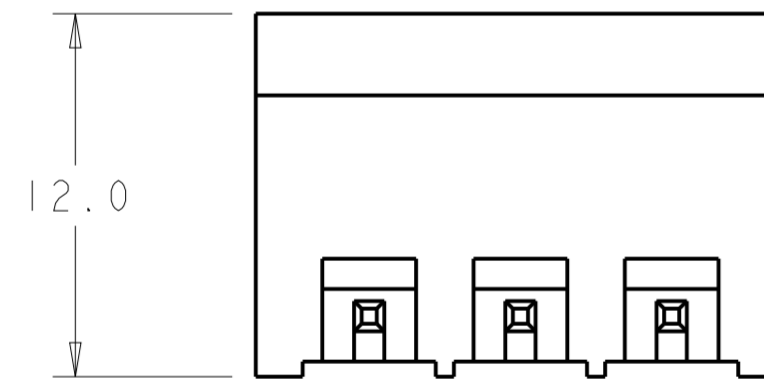


REVISIONS					
P	LTR	DESCRIPTION	DATE	DWN	APVD
A3		REVISED PER ECO-12-007711	25APR2012	KH	MS
A4		PART OBSOLETE	01SEP2020	DV	PS



796645-3 AS SHOWN

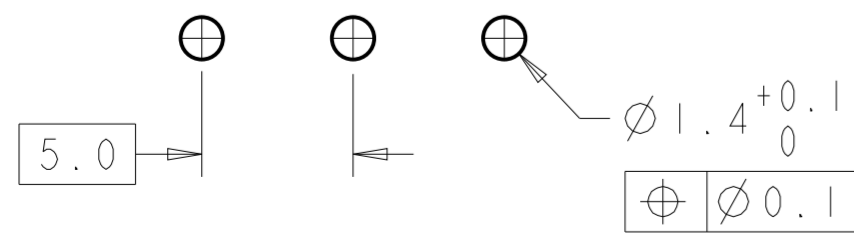


- ⚠ MATERIALS AND FINISH:
 HOUSING: PA 6-6, UL 94-V0, COLOR: BLACK.
 TERMINAL: COPPER ALLOY, FINISH: SEE TABLE.
- SUITABLE FOR 1,6-2, 4mm PC BOARD THICKNESS.
 - RECOGNIZED UNDER THE COMPONENT PROGRAM OF UNDERWRITERS LABORATORIES INC. FILE N° E60677.
 - IMQ CERTIFICATE WITH SURVEILLANCE IN CONFORMITY WITH IEC 998-1/998-2-1.)

⚠ NOT CUMULATIVE TOLERANCE

CONTACT PLATING	DIM L	NO OF POSN	PART NUMBER
0.76 μm GOLD	47.0	9	3-796645-2
0.76 μm GOLD	37.0	7	3-796645-1
0.76 μm GOLD	32.0	6	3-796645-0
0.76 μm GOLD	27.0	5	2-796645-9
0.76 μm GOLD	22.0	4	2-796645-8
0.76 μm GOLD	17.0	3	2-796645-7
0.76 μm GOLD	42.0	8	2-796645-6
TIN	127.0	25	2-796645-5
TIN	122.0	24	2-796645-4
TIN	117.0	23	2-796645-3
TIN	112.0	22	2-796645-2
TIN	107.0	21	2-796645-1
TIN	102.0	20	2-796645-0
TIN	97.5	19	1-796645-9
TIN	92.0	18	1-796645-8
TIN	87.0	17	1-796645-7
TIN	82.0	16	1-796645-6
TIN	77.0	15	1-796645-5
TIN	72.0	14	1-796645-4
TIN	67.0	13	1-796645-3
TIN	62.0	12	1-796645-2
TIN	57.0	11	1-796645-1
TIN	52.0	10	1-796645-0
TIN	47.0	9	796645-9
TIN	42.0	8	796645-8
TIN	37.0	7	796645-7
TIN	32.0	6	796645-6
TIN	27.0	5	796645-5
TIN	22.0	4	796645-4
TIN	17.0	3	796645-3
TIN	12.0	2	796645-2

OBSOLETE



RECOMMENDED PC BOARD LAYOUT

THIS DRAWING IS A CONTROLLED DOCUMENT.		DWN S. WELDON 19OCT2000	TE Connectivity	
DIMENSIONS: mm		CHK D. BIEVENOUR 19OCT2000		
TOLERANCES UNLESS OTHERWISE SPECIFIED:		APVD D. BIEVENOUR 19OCT2000	NAME: TERMI-BLOK HEADER ASSEMBLY, 90 DEGREE, CLOSED ENDS, 5.00mm PITCH	
0 PLC ±		PRODUCT SPEC	SIZE: A2 CAGE CODE: 00779 DRAWING NO: C-796645	
1 PLC ±0.2		APPLICATION SPEC	RESTRICTED TO	
2 PLC ±		WEIGHT	SCALE: 4:1 SHEET OF REV A4	
3 PLC ±		CUSTOMER DRAWING		
4 PLC ±				
ANGLES ±				
FINISH				