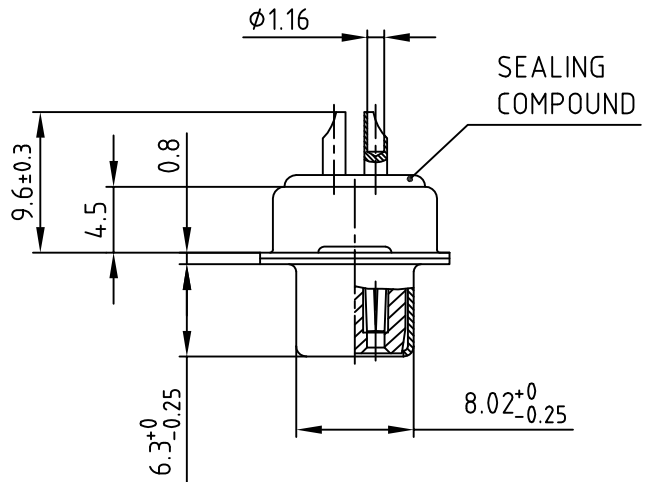
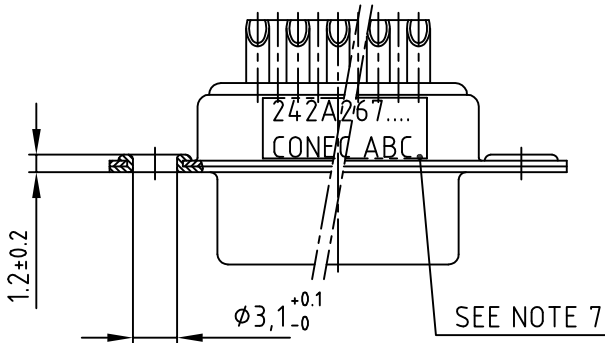
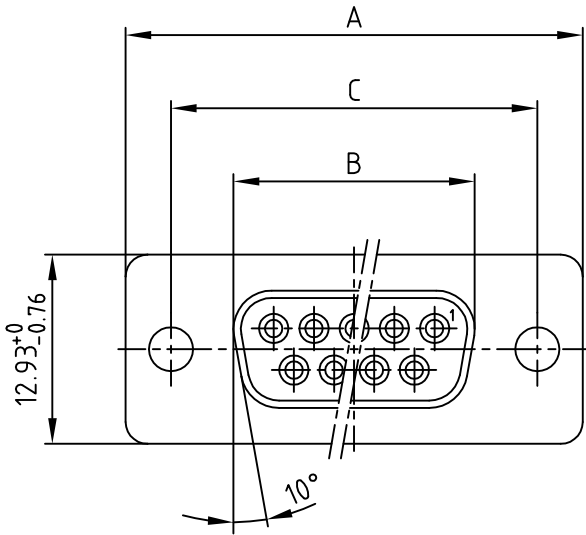


used for: D-SUB FILTER

POS.	A -0.76	B -0.25	C	Part NO.
9	31.19	16.46	25.00 <sup>+0.12</sup> / <sub>-0.13</sub>	242A26740X
15	39.52	24.79	33.30 <sup>+0.15</sup> / <sub>-0.1</sub>	242A26750X
37	69.70	54.96	63.50 $\pm 0.13$	242A26770X



Directive 2002/95/EC  
„RoHS“  
Compliant

APPROVAL # FREIGABE # DEBLOCAGE # AUTORIZACION # APPROVAL	
CUSTOMER APPROVAL DATE:	
NAME:	TITLE:
COMPANY NAME:	
APPROVAL # FREIGABE # DEBLOCAGE # AUTORIZACION # APPROVAL	

NOTES:

1. RoHS COMPLIANT
2. METALSHELLS: STEEL; min. 315µin TIN over 40-80µin NICKEL
3. INSULATORS: HIGH TEMPERATURE PLASTIC UL V-0, BLACK
4. CONTACTS: COPPER ALLOY  
PLATING: 8µin HARD GOLD over min. 50µin NICKEL  
SOLDER CUP ACCEPTS CABLE AWG 20
5. CAPACITANCE: 180pF  $\pm 20\%$
6. DIELECTRIC WITHSTANDING VOLTAGE: 424 VDC
7. CONNECTOR IS PART MARKED: PART-NO. CONEC ABC

THIS DRAWING MAY NOT BE COPIED OR REPRODUCED IN ANY WAY, AND MAY NOT BE PASSED ON TO A THIRD PARTY WITHOUT WRITTEN PERMISSION.  
OWNERSHIP AND COPYRIGHT OF CONEC GmbH DO NOT ALTER CAD DRAWING BY HAND

tolerance			
2009	date	name	
drawn	15.07.	Sonnenberg	
appd.	15.07.	Fischer	
norm			
d-old			
a	Origin		
rev.	description	date	name



scale:	2:1	
material:	SEE NOTES	
title:	D-SUB FILTER FEMALE 9, 15, 37pos. SOLDER CUP	
dwg no:	AutoCAD 2006	DIN-A
	24K2A671	4
part no:	SEE TABLE	sh: 1/1