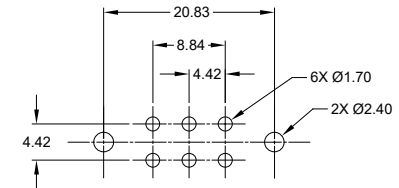
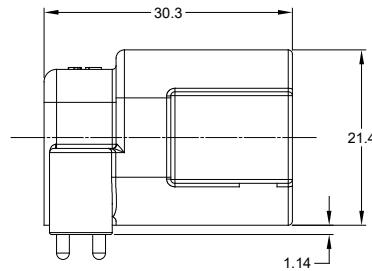
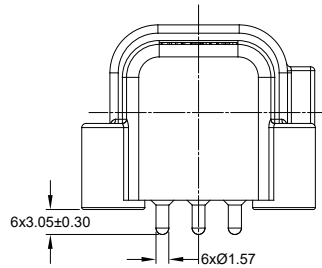


| REVISIONS | | | | | |
|-----------|-----|----------------------|-----------|-------|-------|
| REV | ECO | DESCRIPTION | DATE | BY | APPR |
| A1 | - | RELEASE | 7JUN2018 | JAH | |
| A2 | - | UPDATE DRAWING | 19/MAR/19 | BROOK | TOMMY |
| A3 | - | MODIFIED DESCRIPTION | 12JUL19 | BROOK | TOMMY |



RECOMMENDED PCB LAYOUT



ATF13-6PX-BM1X VARIANTS

6P KEYWAY

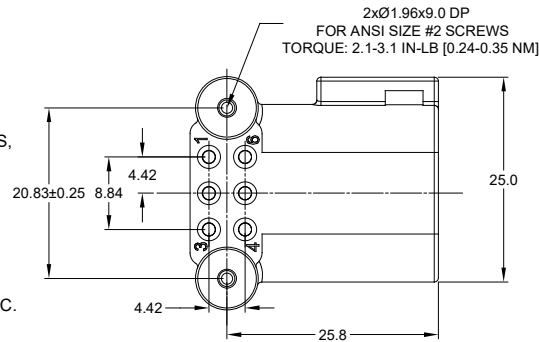
6P2 KEYWAY

| PART NUMBER | CONTACT PLATING | HSG COLOR |
|---------------|-----------------|-----------|
| ATF13-6P-BM11 | GOLD | BLACK |
| ATF13-6P-BM13 | TIN | BLACK |

| PART NUMBER | CONTACT PLATING | HSG COLOR |
|-------------------|-----------------|-----------|
| ATF13-6P2-BM11BLU | GOLD | BLUE |
| ATF13-6P2-BM13BLU | TIN | BLUE |

NOTES: UNLESS OTHERWISE SPECIFIED

- MATERIAL:
HOUSING: THERMOPLASTIC
CONTACT: COPPER ALLOY
PLATING: NICKEL UNDERPLATE
SEE CHART FOR OVERALL FINISH
- MODIFICATIONS: RIGHT ANGLE PCB MOUNT, SCREW BOSS, KEYED, HOUSING COLOR
- SPECIFICATIONS:
3.1 CURRENT RATING: 13 AMPS
3.2 OPERATING TEMPERATURE: -55°C TO +125°C
3.3 DIELECTRIC WITHSTANDING VOLTAGE: LESS THAN 2 MILLIAMPS CURRENT LEAKAGE @ 1500 VOLTS AC.
3.4 INSULATION RESISTANCE: 1000 MEGOHMS MIN @ 25°C.
3.5 MOISTURE RESISTANCE: IP67 (MATED CONDITION)
3.6 MATING CYCLE DURABILITY: 100 CYCLES
3.7 RoHS COMPLIANT
- MATING PART: AT06-6S* PLUG
(* = MODIFICATIONS AND COLORS)
- ALL DIMENSIONS ARE FOR REFERENCE USE ONLY.



| | | | |
|------------------------------------------------------------------------------------------------------------------------------------------------------------------------------------|--|----------------------------------------------------------------------------------------------------------------------------------------------------------------------------------------------------------------------------------------------------------------------|--|
| SEE PART NUMBER CHART | | REF: DTF13-6P, DTF13-6P-G003, DTF13-6P2-G003 | |
| PART NUMBER | | DESCRIPTION | |
| QUANTITY | | ITEM | |
| MATERIALS LIST | | | |
| UNLESS OTHERWISE SPECIFIED: 1) All dimensions are in metric (mm). 2) Tolerances are as follows: 1 PL DEC ±0.30 2 PL DEC ±0.15 3 PL DEC ±0.08 3) Note reference = | | SIGNATURES DATE DRAWN: BROOKING 12/JUL/19 CHECKED: ORION LI 12/JUL/19 ENGINEER: APPROVAL: TOMMY XIE 12/JUL/19 CUSTOMER: | |
| MATERIAL SPECIFICATIONS: | | Amphenol Sine Systems - www.amphenol-sine.com 44724 Morley Drive Clinton Township, MI 48036 | |
| PROCESS SPECIFICATIONS: | | RIGHT ANGLE RECEPTACLE, AT 6 PIN, SCREW BOSS, BOARDLOCK | |
| NEXT ASSY: | | THIS DRAWING IS SUPPLIED FOR INFORMATION ONLY. DESIGN FEATURES, SPECIFICATIONS AND PERFORMANCE DATA SHOWN HEREON ARE THE PROPERTY OF THE AMPHENOL CORPORATION. NO RIGHTS OF REPRODUCTION ARE IMPLIED. ALL DIMENSIONS ARE SUBJECT TO NORMAL MANUFACTURING VARIATIONS. | |
| SIZE: B C | | DWG NO: ATF13-6PX-BM1XXXX | |
| SCALE: NONE | | REVISION: A3 | |
| SHEET 1 OF 1 | | | |

TITLE: RIGHT ANGLE RECEPT AT 6 PIN SCREW BOSS BOARDLOCK DWG NO: ATF13-6PX-BM1X REV: A3 SH: 1 OF: 1