

# CONCEALED HINGE



Version 1

Version 2

Note: Bolts are not supplied

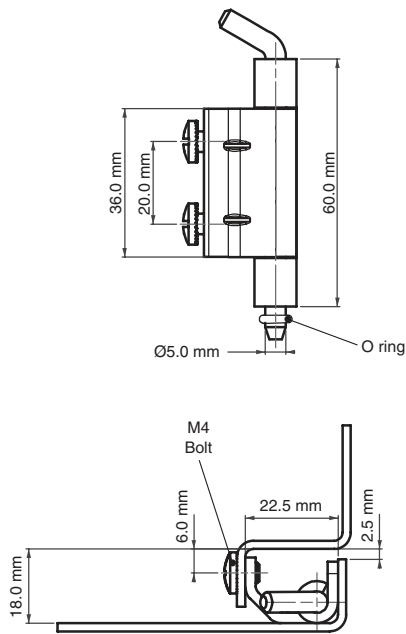
**Specifications**

- Material: Steel
- Finish:
  - Body: Zinc plated
  - Welding Part: Copper plated

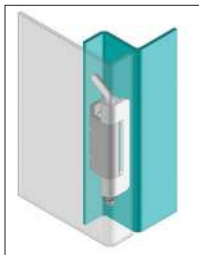
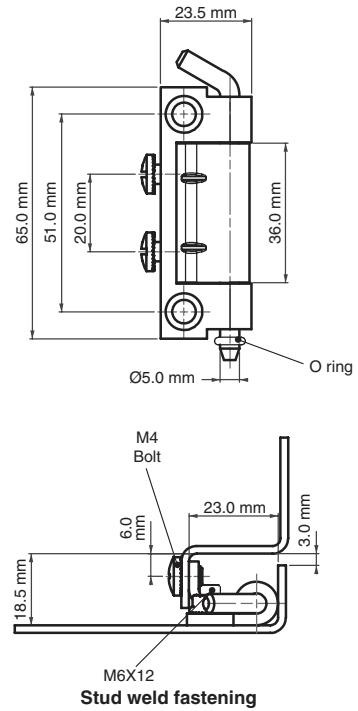
**Features**

- For doors with a bend of:
  - Version 1: 18 mm
  - Version 2: 18.5 mm
- Frame part screwed on, door part either welded or screwed on
- Suitable for left-hand and right-hand applications
- Applications: Electric panels, machinery covers

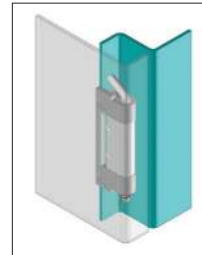
Version 1



Version 2



**Hinge Rotation Angle**



Item Number	Hinge Rotation	Material	Finish	Version
695631	120°	Steel	Zinc	1
695632	120°	Steel	Zinc	2