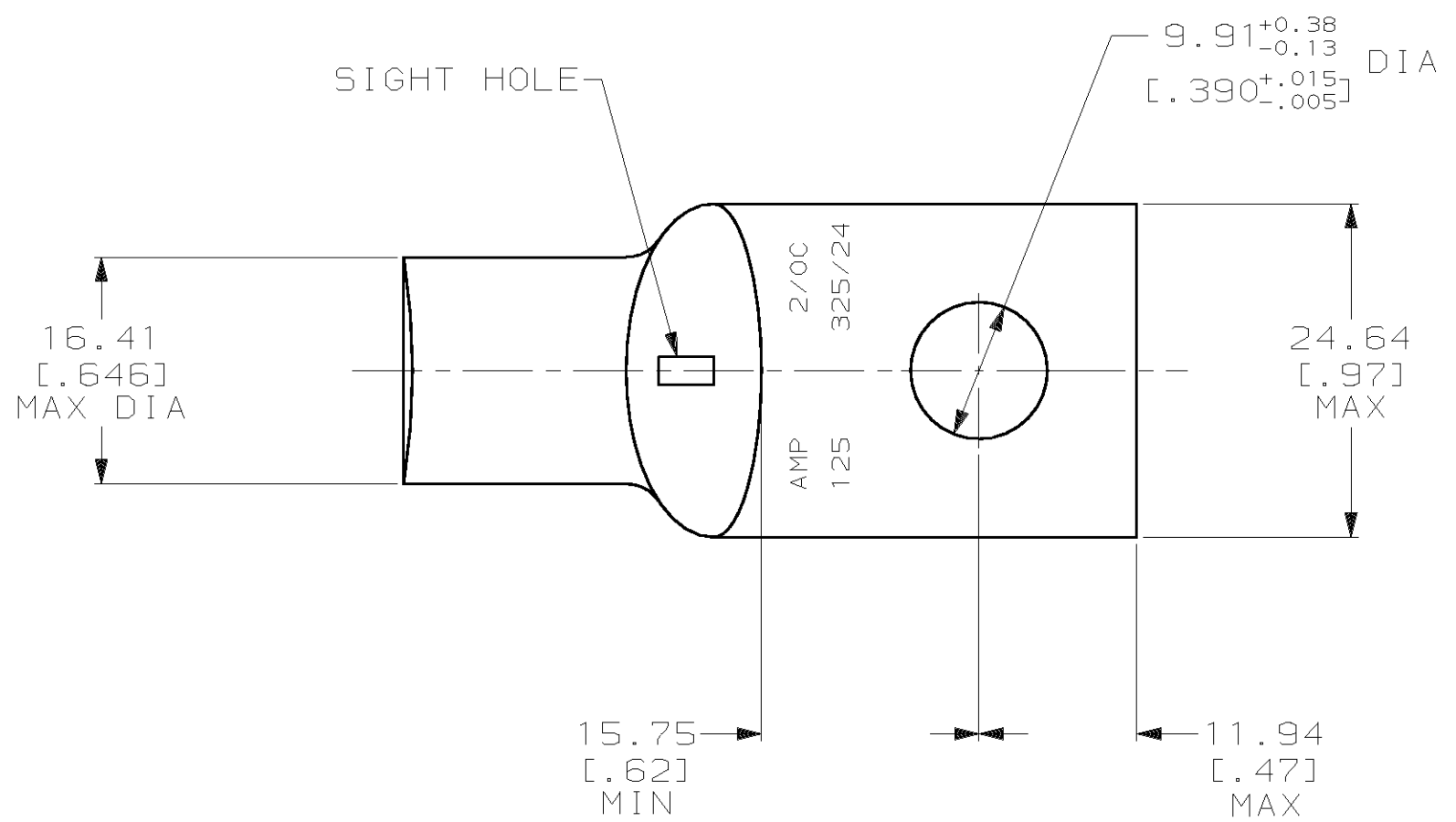
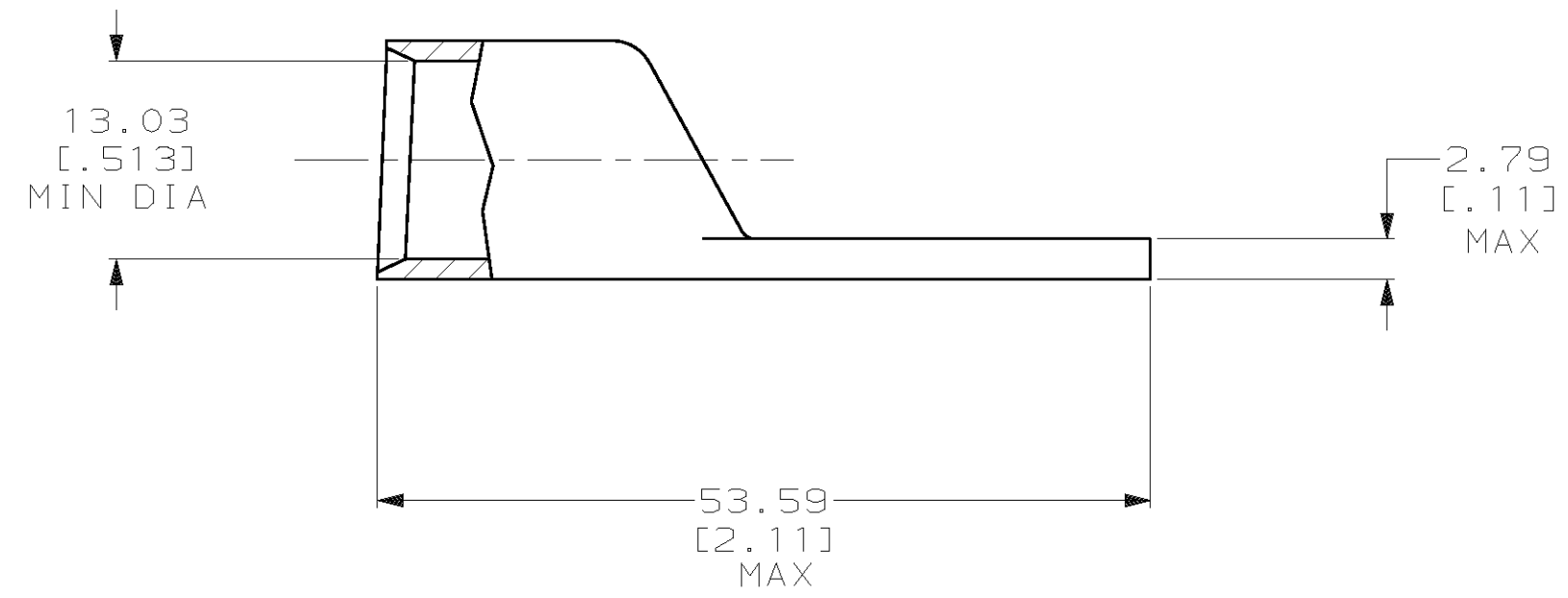


THIS DRAWING IS UNPUBLISHED. RELEASED FOR PUBLICATION, 19 .
 © COPYRIGHT 19 BY AMP INCORPORATED. ALL INTERNATIONAL RIGHTS RESERVED.

LOC		DIST		REVISIONS				DATE	APPD
ZONE	LTR	DESCRIPTION	DATE	APPD					
G	86	P	F	R	REV PER 063A-0561-01	070CT02	JR/MS		



- 1 CIRCULAR MIL AREA RANGE: 119,500-150,500 CM
- 2 TIN PL 0.00381 [.000150] MIN THK PER MIL-T-10727



DO NOT SCALE PRINT. UNLESS SPECIFIED DIMENSIONS IN mm [INCHES] TOLERANCES ON : 2 PLC DEC ± 0.51 [.020] 3 PLC DEC ± - ANGLES ± -		DR 02/28/90 DK SCHRUM	AMP INCORPORATED Harrisburg, Pa. 17105	
MATERIAL ANNEALED COPPER ASTM B-75		CHK 17JAN95 MS FEHER		
FINISH 2		APPD 17JAN95 WJ VOCKROTH	NAME TERMINAL, AMPOWER WIRE SIZE: 2/0 AWG	
APPLICATION SPEC -		APPD 17JAN95 TL SHUTTER	SIZE C	CAGE CODE 00779
WEIGHT .055 LB		PRODUCT SPEC -	SCALE 2:1	DRAWING NO 325403
				SHEET 1 OF 1