

# 0.37 Ω, Low Capacitance, Dual DPDT / Quad SPDT Analog Switch

## DESCRIPTION

The DG2788A, is a four-channel single-pole double-throw (SPDT) analog switch with two control inputs. It is also known as a two-channel double-pole double-throw (DPDT) configuration. The part is designed to operate from 1.8 V to 5.5 V single power rail. All switches conduct equally well in both directions, offering rail to rail signal switching and can be used both as multiplexers as well as de-multiplexers.

The DG2788A offers low parasitic capacitance and highly matched low and flat switch resistance over the full signal range. It features break-before-make switching and low control logic threshold. The part supports rail to rail fast edge pulsing signals and have 0.1 ns/typ. propagation delay. It is ideal for both analog and digital signal switching in space constrain applications requiring high performance and efficient use of board space.

The DG2788A comes in a small miniQFN-16 lead package of 2.6 mm x 1.8 mm x 0.55 mm.

## FEATURES

- 1.8 V to 5.5 V single supply operation
- Low resistance: 0.37 Ω/typ. at 2.7 V
- Highly flat and matched  $R_{ON}$
- Low parasitic capacitance,  $C_{ON} = 26$  pF,  $C_{OFF} = 14.5$  pF
- High bandwidth: 338 MHz
- 0.1 ns/typ. propagation delay for rail to rail fast edge pulsing signal
- Guaranteed logic high 1.2 V, logic low 0.3 V
- Break before make switching
- Signal swing over  $V+$  capable
- Power down protection
- Latch up current: 300 mA (JESD78)
- ESD / HBM: > 2 kV
- Material categorization: for definitions of compliance please see [www.vishay.com/doc?99912](http://www.vishay.com/doc?99912)


**RoHS**  
COMPLIANT

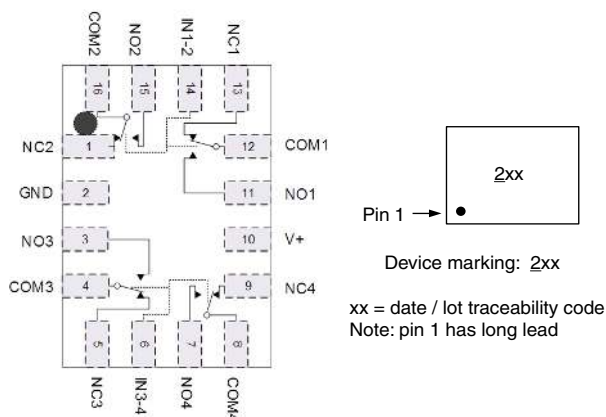
## BENEFITS

- Low and flat resistance
- Excellent total harmonic distortion
- Low parasitic capacitance
- Low voltage control interface

## APPLICATIONS

- Analog and digital signal switching
- SMA optical image stabilization
- Relay replacement
- Portable instrumentation
- Smart phones and tablets
- Modems and peripherals
- Data storage

## FUNCTIONAL BLOCK DIAGRAM AND PIN CONFIGURATION



TRUTH TABLE		
LOGIC	NC1, 2, 3 and 4	NO1, 2, 3 and 4
0	On	Off
1	Off	On



ORDERING INFORMATION			
TEMPERATURE RANGE	PACKAGE	PART NUMBER	MIN. ORDER / PACK. QUANTITY
-40 °C to +85 °C lead (Pb)-free	miniQFN-16	DG2788ADN-T1-GE4	Tape and reel, 3000 units

ABSOLUTE MAXIMUM RATINGS (T <sub>A</sub> = 25 °C, unless otherwise noted)				
PARAMETER		SYMBOL	LIMIT	UNIT
Reference to GND	V+		-0.3 to +6	V
	IN, COM, NC, NO <sup>a</sup>		-0.3 to (V+ + 0.3)	
Current (any terminal except NO, NC, or COM)			30	mA
Continuous current (NO, NC, or COM)			± 300	
Peak current (pulsed at 1 ms, 10 % duty cycle)			± 500	
Storage temperature (D suffix)			-65 to +150	°C
Package solder reflow conditions <sup>d</sup>	miniQFN-16		250	
Power dissipation (packages) <sup>b</sup>	miniQFN-16 <sup>c</sup>		525	mW

**Notes**

- a. Signals on NC, NO, or COM, or IN exceeding V+ will be clamped by internal diodes. Limit forward diode current to maximum current ratings
- b. All leads welded or soldered to PC board
- c. Derate 6.6 mW/°C above 70 °C
- d. Manual soldering with iron is not recommended for leadless components. The miniQFN-16 is a leadless package. The end of the lead terminal is exposed copper (not plated) as a result of the singulation process in manufacturing. A solder fillet at the exposed copper lip cannot be guaranteed and is not required to ensure adequate bottom side solder interconnection



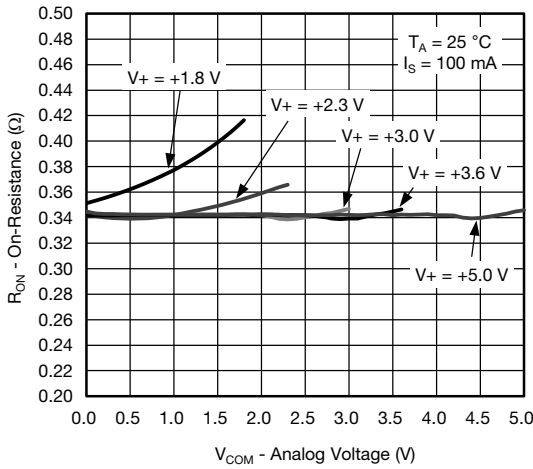
SPECIFICATIONS (V+ = 3 V)									
PARAMETER	SYMBOL	TEST CONDITIONS unless otherwise specified V+ = 3 V, ± 10 %, VIN = 0.5 or 1.4 V <sup>e</sup>	TEMP. <sup>a</sup>	LIMITS -40 °C to +85 °C			UNIT		
				MIN. <sup>b</sup>	TYP. <sup>c</sup>	MAX. <sup>b</sup>			
<b>Analog Switch</b>									
Analog signal range <sup>d</sup>	V <sub>NO</sub> , V <sub>NC</sub> , V <sub>COM</sub>		Full	0	-	V+	V		
On-resistance	R <sub>ON</sub>	V+ = 2.7 V, V <sub>COM</sub> = 0 to 2.7 V, I <sub>NO</sub> , I <sub>NC</sub> = 100 mA	Room	-	0.37	0.5	Ω		
			Full	-	-	0.6			
R <sub>ON</sub> flatness <sup>d</sup>	R <sub>ON</sub> flatness	V+ = 2.7 V, V <sub>COM</sub> = 0 to V+, I <sub>NO</sub> , I <sub>NC</sub> = 100 mA	Room	-	0.01	0.05	Ω		
R <sub>ON</sub> match <sup>d</sup>	ΔR <sub>ON</sub>		Room	-	0.05	-			
Switch off leakage current	I <sub>NO(off)</sub> , I <sub>NC(off)</sub>	V+ = 5.5 V, V <sub>NO</sub> , V <sub>NC</sub> = 0.5 V / 4 V, V <sub>COM</sub> = 4 V / 0.5 V	Room	-0.1	-	0.1	μA		
			Full	-0.5	-	0.5			
	Room		-1.2	-	1.2				
	Full		-2	-	2				
Channel-on leakage current	I <sub>COM(on)</sub>	V+ = 5.5 V, V <sub>NO</sub> , V <sub>NC</sub> = V <sub>COM</sub> = 0.5 V / 4 V	Room	-1.2	-	1.2	μA		
			Full	-2	-	2			
<b>Digital Control</b>									
Input high voltage	V <sub>INH</sub>		Full	1.2	-	-	V		
Input low voltage	V <sub>INL</sub>		Full	-	-	0.3			
Input capacitance	C <sub>IN</sub>		Full	-	5	-	pF		
Input current	I <sub>INL</sub> or I <sub>INH</sub>	V <sub>IN</sub> = 0 or V+	Full	-1	-	1	μA		
<b>Dynamic Characteristics</b>									
Turn-on time	t <sub>ON</sub>	V <sub>NO</sub> or V <sub>NC</sub> = 1.5 V, R <sub>L</sub> = 50 Ω, C <sub>L</sub> = 35 pF	Room	-	30	50	μs		
			Full	-	-	150			
Turn-off time	t <sub>OFF</sub>		Room	-	0.35	1			
			Full	-	-	3			
Break-before-make time	t <sub>d</sub>			Full	1	-		-	
Charge injection <sup>d</sup>	Q <sub>INJ</sub>		C <sub>L</sub> = 1 nF, V <sub>GEN</sub> = 1.5 V, R <sub>GEN</sub> = 0 Ω	Room	-	-245		-	pC
-3 dB bandwidth	BW	R <sub>L</sub> = 50 Ω, C <sub>L</sub> = 5 pF	Room	-	338	-	MHz		
Off-isolation <sup>d</sup>	OIRR	R <sub>L</sub> = 50 Ω, C <sub>L</sub> = 5 pF, f = 100 kHz	Room	-	-82	-	dB		
		R <sub>L</sub> = 50 Ω, C <sub>L</sub> = 5 pF, f = 1 MHz		-	-56	-			
Crosstalk <sup>d, f</sup>	X <sub>TALK</sub>	R <sub>L</sub> = 50 Ω, C <sub>L</sub> = 5 pF, f = 100 kHz		-	-87	-			
		R <sub>L</sub> = 50 Ω, C <sub>L</sub> = 5 pF, f = 1 MHz		-	-61	-			
Total harmonic distortion and noise	THD+N	R <sub>L</sub> = 50 Ω, 1 V <sub>p-p</sub> , f = 1 kHz	Room	-	-104.1	-	dB		
NO, NC off capacitance <sup>d</sup>	C <sub>NO(off)</sub>	f = 1 MHz	Room	-	14.5	-	pF		
	C <sub>NC(off)</sub>		Room	-	14.5	-			
Channel-on capacitance <sup>d</sup>	C <sub>NO(on)</sub>		Room	-	26	-			
	C <sub>NC(on)</sub>		Room	-	26	-			
<b>Power Supply</b>									
Power supply range	V+				1.8	-		5.5	V
Power supply current	I+	V <sub>IN</sub> = 0 or V+	Full	-	24	60	μA		

**Notes**

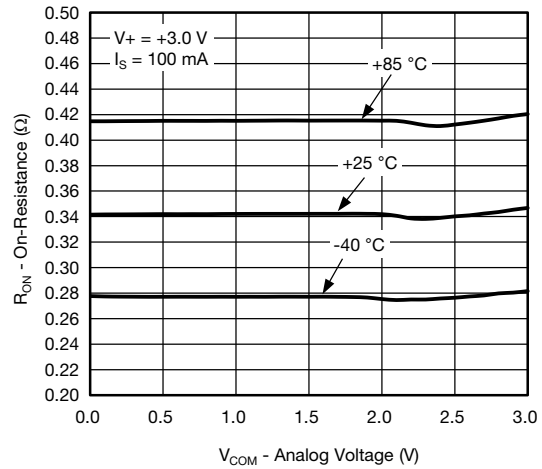
- a. Room = 25 °C, full = as determined by the operating suffix
- b. The algebraic convention whereby the most negative value is a minimum and the most positive a maximum, is used in this data sheet
- c. Typical values are for design aid only, not guaranteed nor subject to production testing
- d. Guarantee by design, not subjected to production test
- e. V<sub>IN</sub> = input voltage to perform proper function
- f. Crosstalk measured between channels

Stresses beyond those listed under "Absolute Maximum Ratings" may cause permanent damage to the device. These are stress ratings only, and functional operation of the device at these or any other conditions beyond those indicated in the operational sections of the specifications is not implied. Exposure to absolute maximum rating conditions for extended periods may affect device reliability.

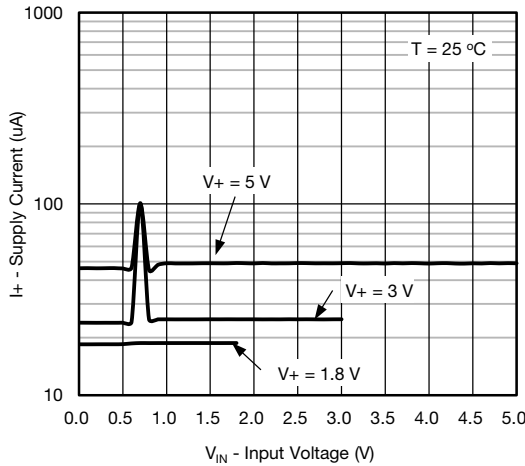
**TYPICAL CHARACTERISTICS** ( $T_A = 25\text{ }^\circ\text{C}$ , unless otherwise noted)



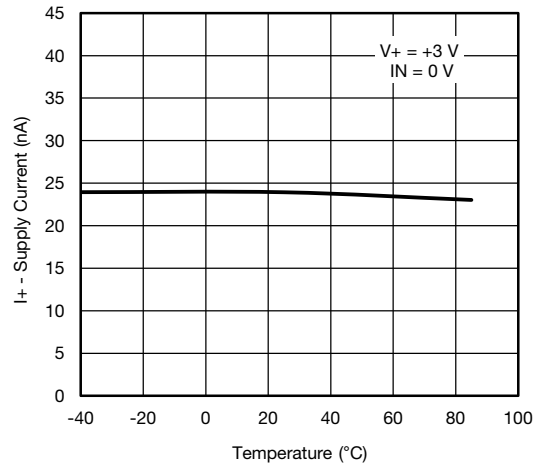
**$R_{ON}$  vs.  $V_{COM}$  and Supply Voltage**



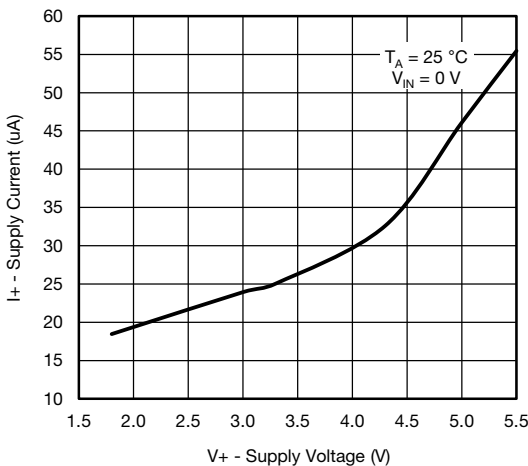
**$R_{ON}$  vs. Analog Voltage and Temperature**



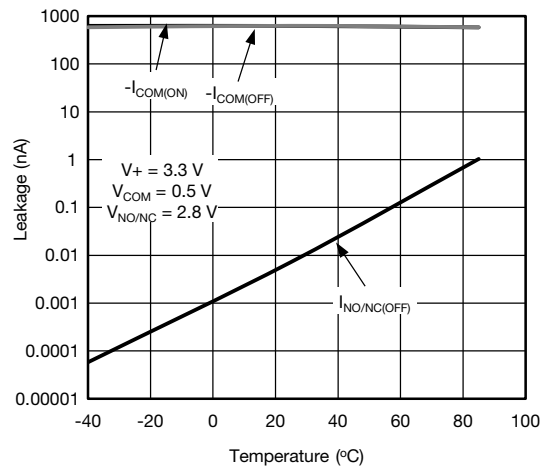
**Supply Current vs. Input Voltage**



**Supply Current vs. Temperature**

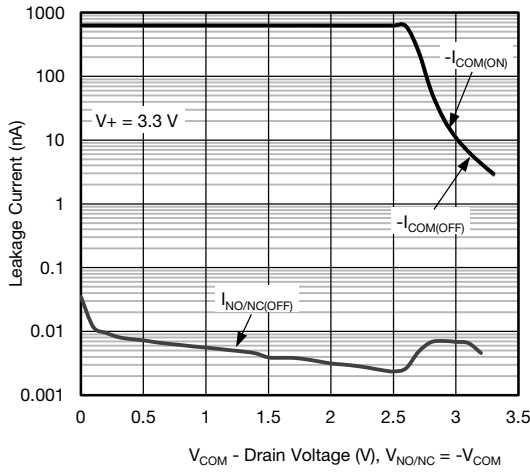


**Supply Current vs. Supply Voltage**

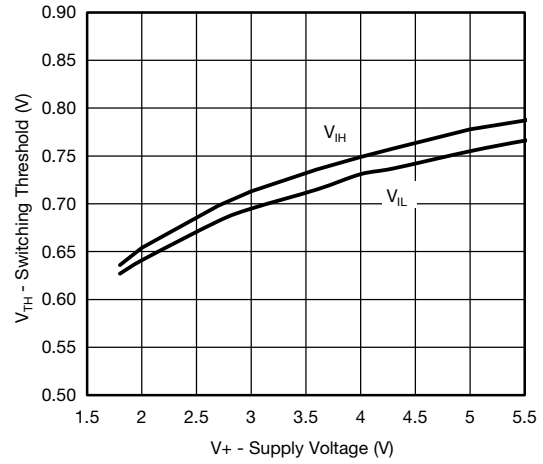


**Leakage Current vs. Temperature**

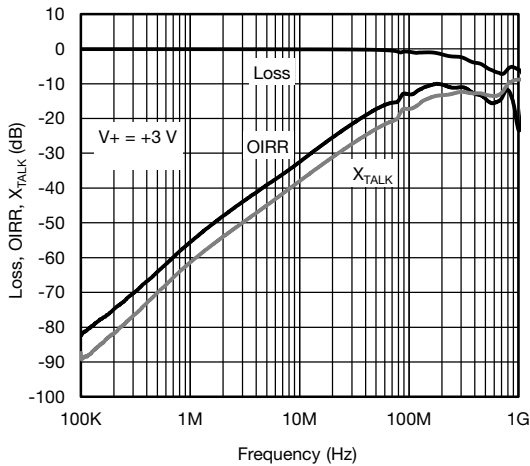
**TYPICAL CHARACTERISTICS** ( $T_A = 25\text{ }^\circ\text{C}$ , unless otherwise noted)



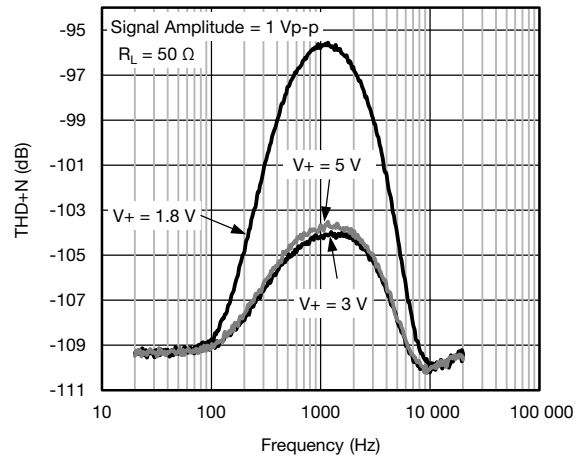
**Leakage Current vs. Drain Voltage**



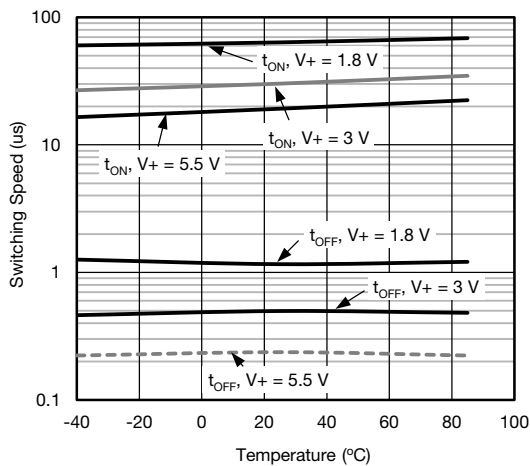
**Switching Threshold vs. Supply Voltage**



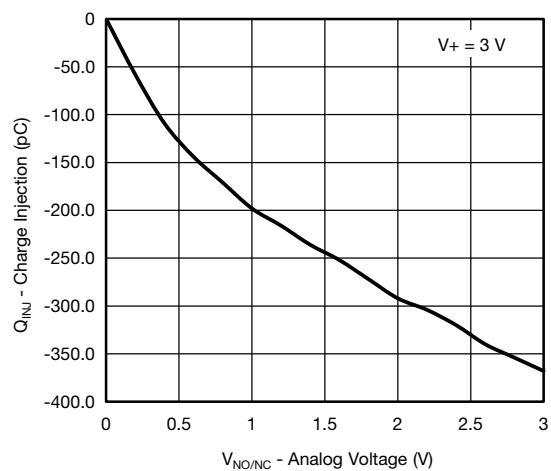
**Insertion Loss, Off-Isolation Crosstalk vs. Frequency**



**Total Harmonic Distortion and Noise vs. Frequency**

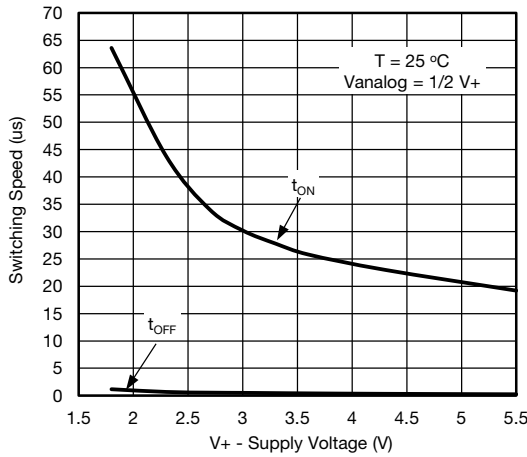


**Switching Time vs. Temperature**

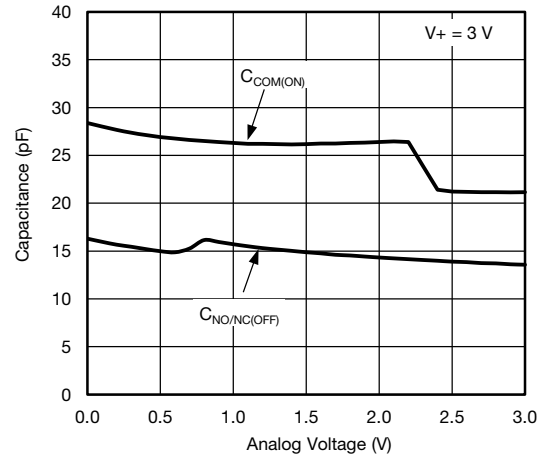


**Charge Injection vs. Analog Voltage**

**TYPICAL CHARACTERISTICS** ( $T_A = 25\text{ }^\circ\text{C}$ , unless otherwise noted)

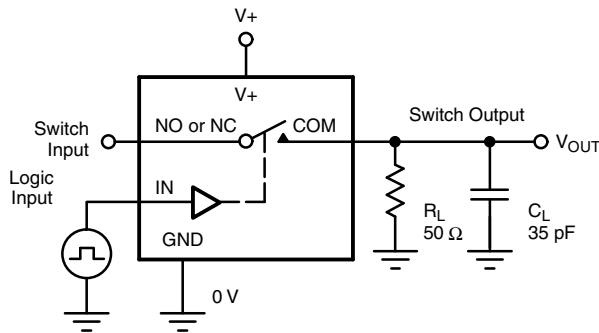


**Switching Time vs. Supply Voltage**



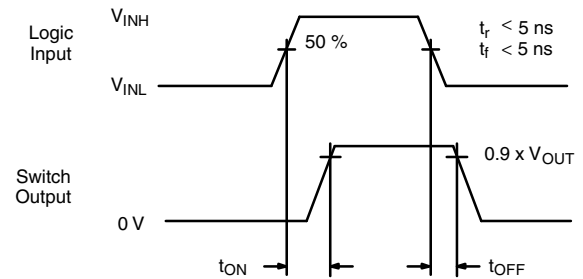
**Capacitance vs. Analog Voltage**

**TEST CIRCUITS**



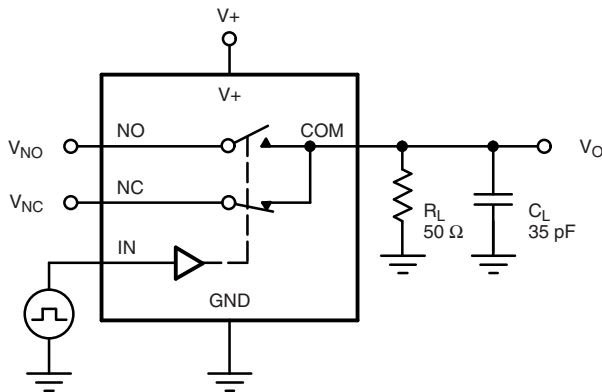
$C_L$  (includes fixture and stray capacitance)

$$V_{OUT} = V_{COM} \left( \frac{R_L}{R_L + R_{ON}} \right)$$

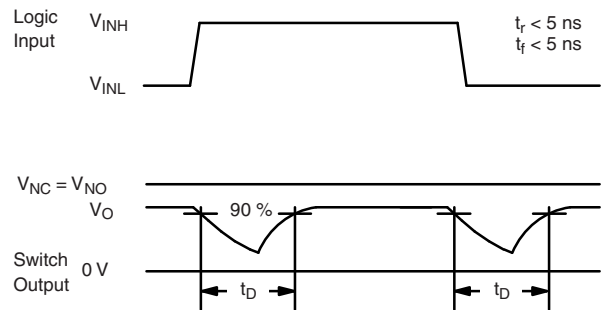


Logic "1" = Switch On  
Logic input waveforms inverted for switches that have the opposite logic sense.

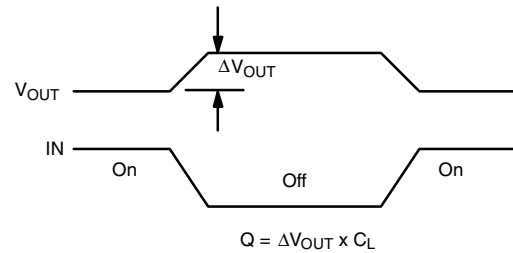
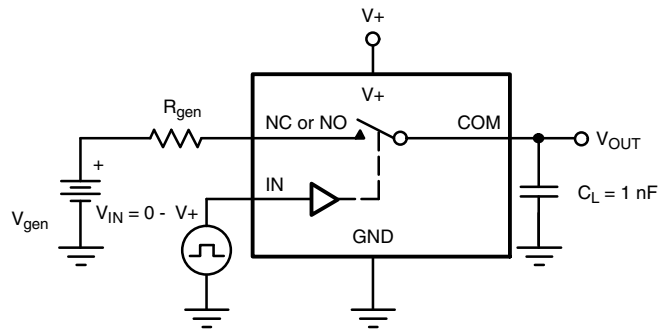
**Fig. 1 - Switching Time**



$C_L$  (includes fixture and stray capacitance)



**Fig. 2 - Break-Before-Make Interval**



IN depends on switch configuration: input polarity determined by sense of switch.

Fig. 3 - Charge Injection

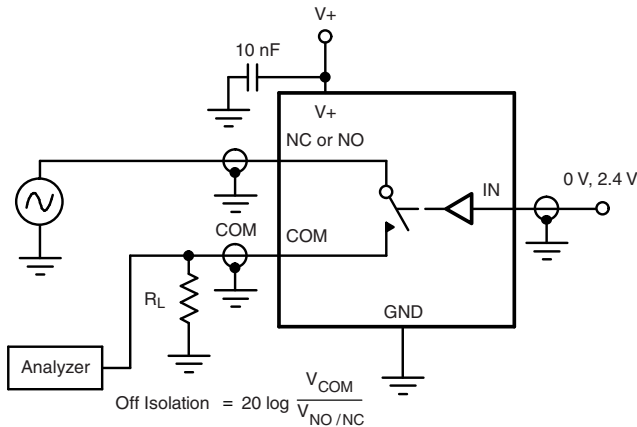


Fig. 4 - Off-Isolation

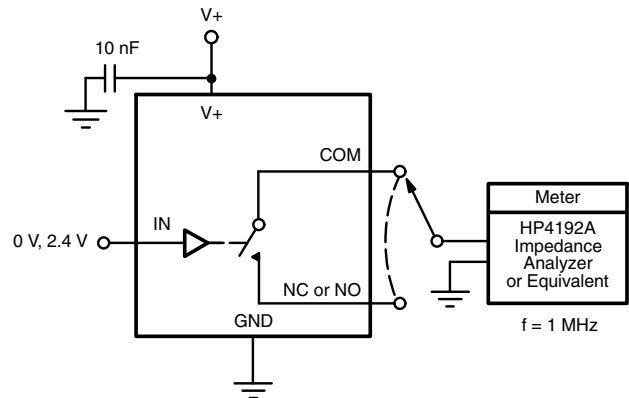
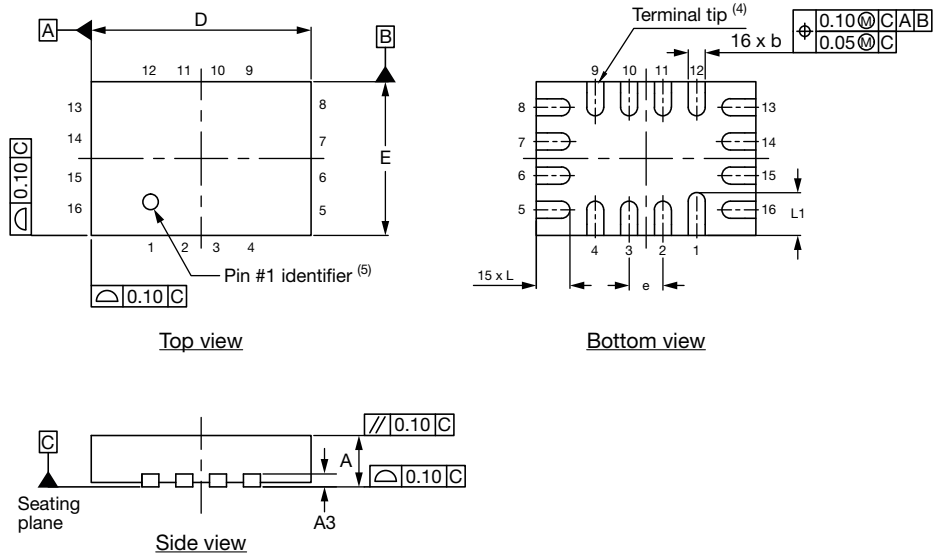


Fig. 5 - Channel Off / On Capacitance

Vishay Siliconix maintains worldwide manufacturing capability. Products may be manufactured at one of several qualified locations. Reliability data for Silicon Technology and Package Reliability represent a composite of all qualified locations. For related documents such as package / tape drawings, part marking, and reliability data, see [www.vishay.com/ppg?79391](http://www.vishay.com/ppg?79391).

## Thin miniQFN16 Case Outline



DIMENSIONS	MILLIMETERS <sup>(1)</sup>			INCHES		
	MIN.	NOM.	MAX.	MIN.	NOM.	MAX.
A	0.50	0.55	0.60	0.020	0.022	0.024
A1	0	-	0.05	0	-	0.002
A3	0.15 ref.			0.006 ref.		
b	0.15	0.20	0.25	0.006	0.008	0.010
D	2.50	2.60	2.70	0.098	0.102	0.106
e	0.40 BSC			0.016 BSC		
E	1.70	1.80	1.90	0.067	0.071	0.075
L	0.35	0.40	0.45	0.014	0.016	0.018
L1	0.45	0.50	0.55	0.018	0.020	0.022
N <sup>(3)</sup>	16			16		
Nd <sup>(3)</sup>	4			4		
Ne <sup>(3)</sup>	4			4		

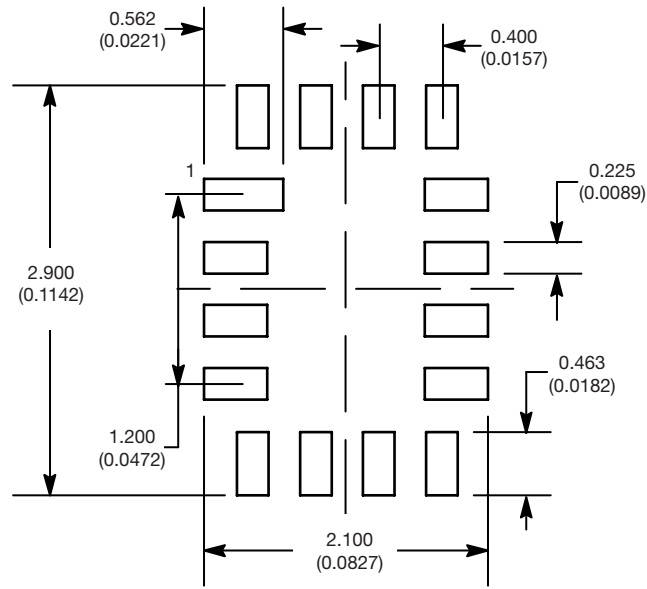
### Notes

- (1) Use millimeters as the primary measurement.
- (2) Dimensioning and tolerances conform to ASME Y14.5M. - 1994.
- (3) N is the number of terminals. Nd and Ne is the number of terminals in each D and E site respectively.
- (4) Dimensions b applies to plated terminal and is measured between 0.15 mm and 0.30 mm from terminal tip.
- (5) The pin 1 identifier must be existed on the top surface of the package by using identification mark or other feature of package body.
- (6) Package warpage max. 0.05 mm.

ECN: T16-0226-Rev. B, 09-May-16  
DWG: 6023



**RECOMMENDED MINIMUM PADS FOR MINI QFN 16L**



Mounting Footprint  
Dimensions in mm (inch)



## Disclaimer

ALL PRODUCT, PRODUCT SPECIFICATIONS AND DATA ARE SUBJECT TO CHANGE WITHOUT NOTICE TO IMPROVE RELIABILITY, FUNCTION OR DESIGN OR OTHERWISE.

Vishay Intertechnology, Inc., its affiliates, agents, and employees, and all persons acting on its or their behalf (collectively, "Vishay"), disclaim any and all liability for any errors, inaccuracies or incompleteness contained in any datasheet or in any other disclosure relating to any product.

Vishay makes no warranty, representation or guarantee regarding the suitability of the products for any particular purpose or the continuing production of any product. To the maximum extent permitted by applicable law, Vishay disclaims (i) any and all liability arising out of the application or use of any product, (ii) any and all liability, including without limitation special, consequential or incidental damages, and (iii) any and all implied warranties, including warranties of fitness for particular purpose, non-infringement and merchantability.

Statements regarding the suitability of products for certain types of applications are based on Vishay's knowledge of typical requirements that are often placed on Vishay products in generic applications. Such statements are not binding statements about the suitability of products for a particular application. It is the customer's responsibility to validate that a particular product with the properties described in the product specification is suitable for use in a particular application. Parameters provided in datasheets and / or specifications may vary in different applications and performance may vary over time. All operating parameters, including typical parameters, must be validated for each customer application by the customer's technical experts. Product specifications do not expand or otherwise modify Vishay's terms and conditions of purchase, including but not limited to the warranty expressed therein.

Hyperlinks included in this datasheet may direct users to third-party websites. These links are provided as a convenience and for informational purposes only. Inclusion of these hyperlinks does not constitute an endorsement or an approval by Vishay of any of the products, services or opinions of the corporation, organization or individual associated with the third-party website. Vishay disclaims any and all liability and bears no responsibility for the accuracy, legality or content of the third-party website or for that of subsequent links.

Except as expressly indicated in writing, Vishay products are not designed for use in medical, life-saving, or life-sustaining applications or for any other application in which the failure of the Vishay product could result in personal injury or death. Customers using or selling Vishay products not expressly indicated for use in such applications do so at their own risk. Please contact authorized Vishay personnel to obtain written terms and conditions regarding products designed for such applications.

No license, express or implied, by estoppel or otherwise, to any intellectual property rights is granted by this document or by any conduct of Vishay. Product names and markings noted herein may be trademarks of their respective owners.