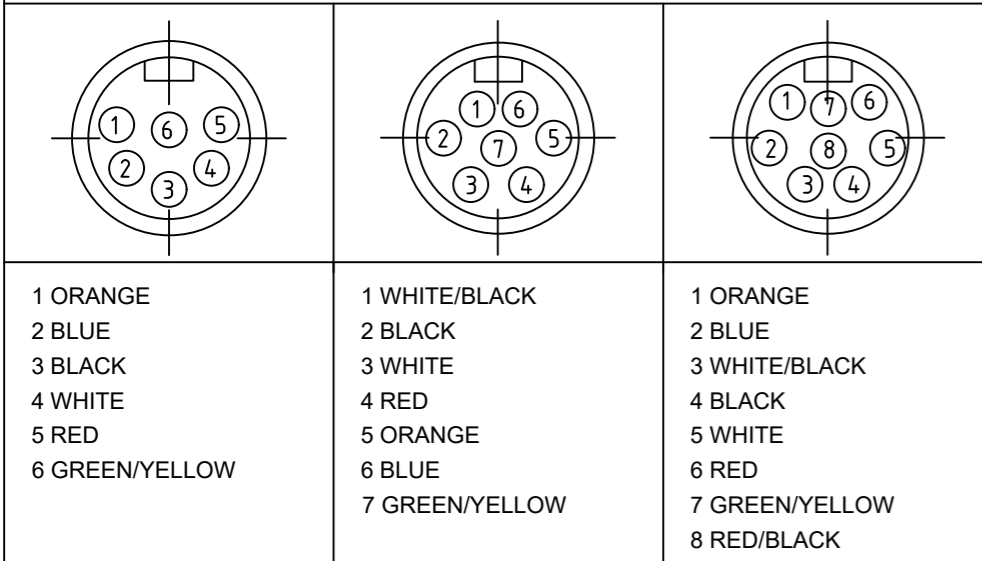


FACE VIEW-MALE INSERT



| | | |
|---|--|---|
| 1 ORANGE 2 BLUE 3 BLACK 4 WHITE 5 RED 6 GREEN/YELLOW | 1 WHITE/BLACK 2 BLACK 3 WHITE 4 RED 5 ORANGE 6 BLUE 7 GREEN/YELLOW | 1 ORANGE 2 BLUE 3 WHITE/BLACK 4 BLACK 5 WHITE 6 RED 7 GREEN/YELLOW 8 RED/BLACK |
|---|--|---|

PART NO. MATRIX

2R7006A20M010

POLES
6-8

FINISHED LENGTH:
A120= 12 IN.
F060= 6 FEET
F120= 12 FEET

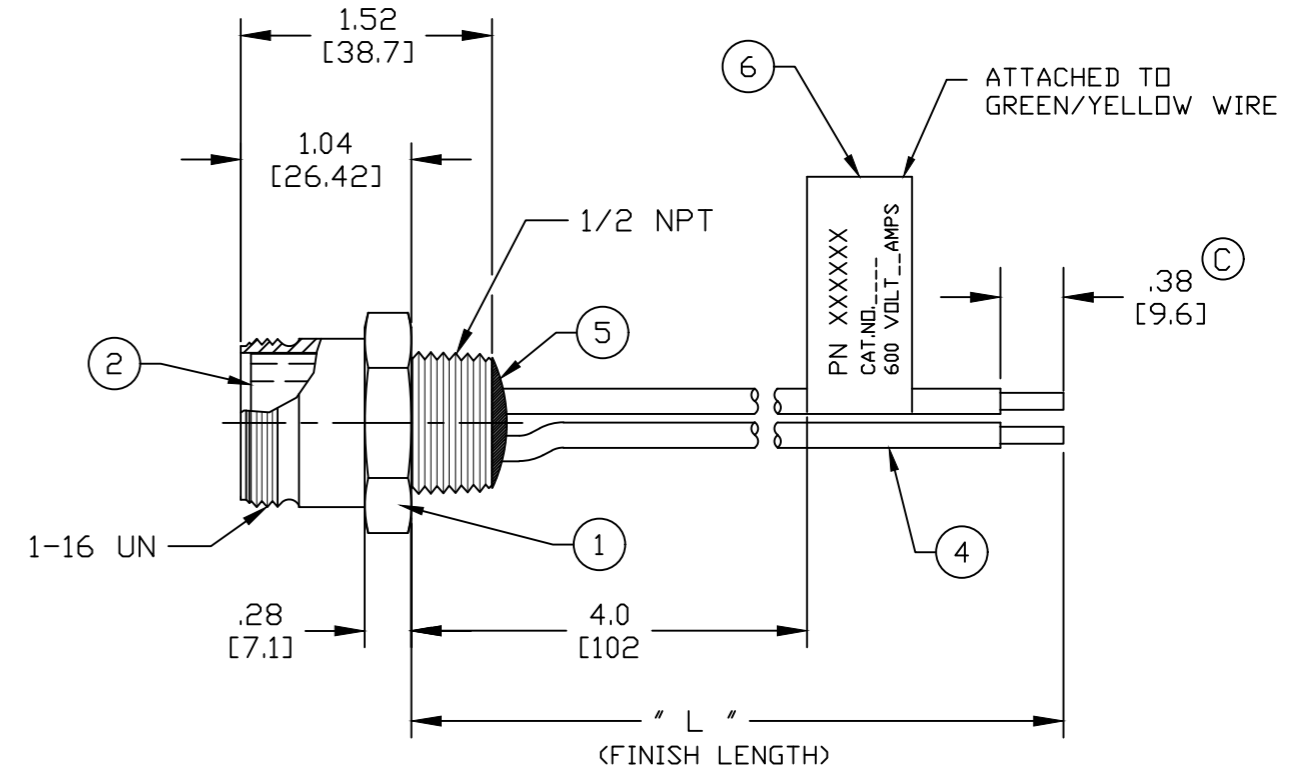
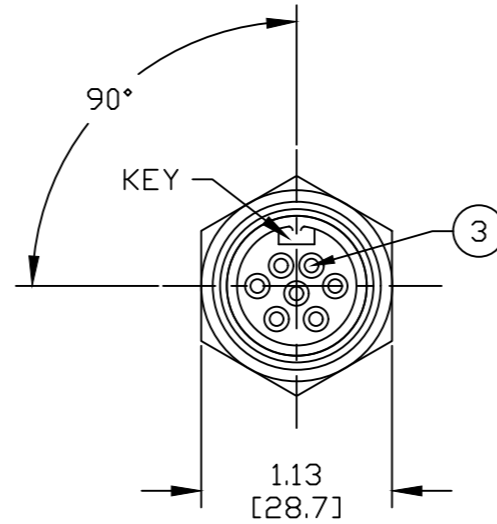
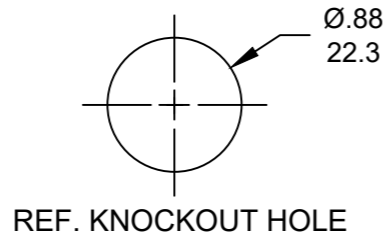
M005= 0.5 METER
M010= 1 METER
M100= 10 METER

CABLE LENGTH TOLERANCES

| | |
|--------------------------|-------------------------|
| <.3M [1FT]: | +19mm-0 [+ .75in-0] |
| .3 - .9M [1 - 3FT]: | +44.5mm-0 [+1.75in-0] |
| .9 - 1.8M [3 - 6FT]: | +55.6mm-0 [+2.19in-0] |
| 1.8 - 3.7M [6 - 12FT]: | +88.9mm-0 [+3.50in-0] |
| 3.7 - 7.3M [12 - 24FT]: | +165.1mm-0 [+6.50in-0] |
| 7.3-14.6M [24 - 48FT]: | +317.5mm-0 [+12.50in-0] |
| 14.6 - 30.5M [48-100FT]: | +622.3mm-0 [+24.50in-0] |
| OVER 30M [100FT] | +2% OF FINISHED LENGTH |

NOTES:

- MATERIAL: AS NOTED
- FINISH: AS NOTED
- ELECTRICAL:
VOLTAGE: 6 THRU 8P 600V PER UL 2238
6P 400V PER IEC 60664
7 & 8P 320V PER IEC 60664
CURRENT: 6 & 7 POLE: 8A
8 POLE: 7A
- TEMP RATING: -20°TO +105°C
- PROTECTION: IP67 (WHEN MATED)
- UL LISTED, FILE: E152210
CSA CERTIFIED, FILE: LR6837
- ALL DIMENSIONS ARE FOR REFERENCE UNLESS TOLERANCED OR NOTED OTHERWISE



| | | | |
|------|------------------------|----------------|---------------|
| 6 | LABEL | VINYL | BLACK/YELLOW |
| 5 | POTTING MATERIAL | EPOXY | |
| 4 | WIRE, 16 AWG UL (1015) | PVC INSULATION | SEE FACE VIEW |
| 3 | CONTACT PIN | COPPER ALLOY | GOLD PLATED |
| 2 | INSERT | TPE | YELLOW |
| 1 | RECEPTACLE SHELL | ZINC DIE-CAST | BLACK |
| ITEM | DESCRIPTION | MATERIAL | FINISH |

| PART NO | ENGINEERING NO. | FINISHED LENGTH |
|------------|-----------------|-----------------|
| 1300140025 | 2R6006A20A120 | 12 IN [0.3M] |
| 1300140149 | 2R7006A20F300 | 30 FT [9.1M] |
| 1300140058 | 2R7006A20M005 | 0.5M [1.6 FT] |

THIS DRAWING CONTAINS INFORMATION THAT IS PROPRIETARY TO MOLEX ELECTRONIC TECHNOLOGIES, LLC AND SHOULD NOT BE USED WITHOUT WRITTEN PERMISSION

FUNCTIONAL SYMBOLS: $F_A=0$, $F_C=0$, $F_P=0$

DIMENSION UNITS: INCH/MM

SCALE: 1:1

GENERAL TOLERANCES (UNLESS SPECIFIED):

| PLACES | mm | INCH |
|----------|-------|-------|
| 4 PLACES | ±---- | ±---- |
| 3 PLACES | ±---- | ±---- |
| 2 PLACES | ±---- | ±---- |
| 1 PLACE | ±---- | ±---- |
| 0 PLACES | ±---- | ±---- |

ANGULAR TOL ± ---- °

DRAFT WHERE APPLICABLE MUST REMAIN WITHIN DIMENSIONS

THIRD ANGLE PROJECTION

DRAWING: B-SIZE

SERIES: 130014

CURRENT REV DESC: ADDED .38 WIRE STRIP, CORRECT CABLE LENGTH TOL. BLOCK, UPDATE BORDER

EC NO: 721990

DRWN: RSTONE 2022/09/19

CHK'D: ALEON01 2022/09/23

APPR: BWOODMAN 2022/09/23

INITIAL REVISION:

DRWN: RSTONE 2016/12/07

APPR: BWOODMAN 2017/01/16

DOCUMENT NUMBER: SD-130014-010

DOC TYPE: PSD

DOC PART: 001

REVISION: C

MATERIAL NUMBER: GENERAL MARKET

CUSTOMER: GENERAL MARKET

SHEET NUMBER: 1 OF 1

molex

MINI-CHANGE RECEPTACLE, B-SIZE, 6 TO 8 POLE, MALE, STRAIGHT, SINGLE KEY, 16 AWG

PRODUCT CUSTOMER DRAWING