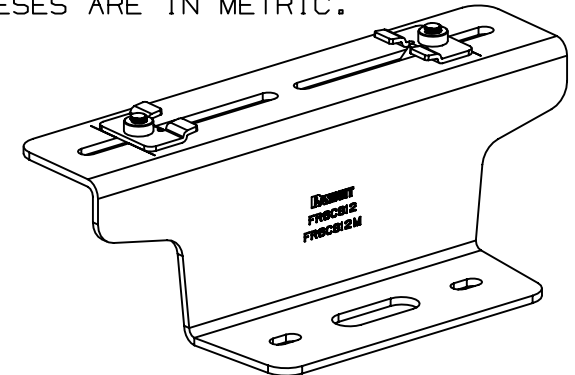
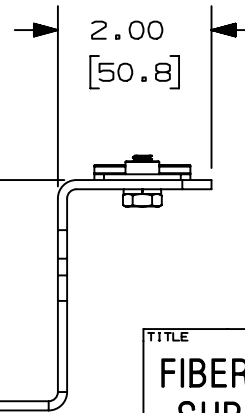
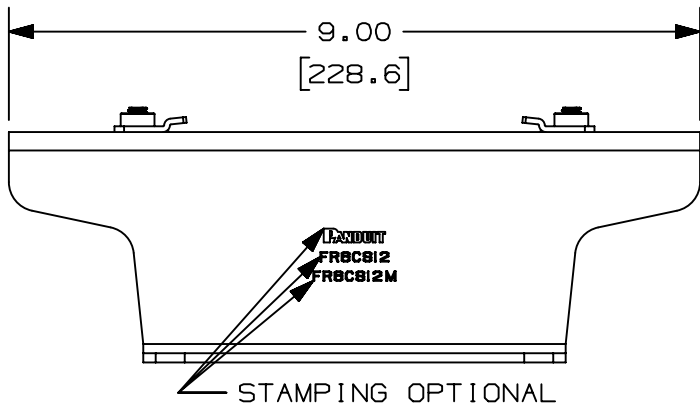
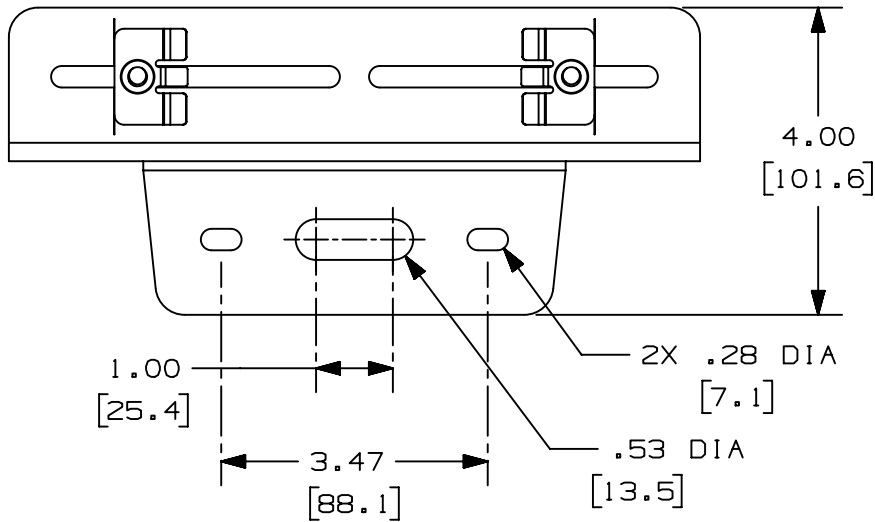


THIS COPY IS PROVIDED ON A RESTRICTED BASIS AND IS NOT TO BE USED IN ANY WAY DETRIMENTAL TO THE INTERESTS OF PANDUIT CORP.

PANDUIT P/N	WEIGHT
FR6CS12 FR6CS12M	1.80 LB/EACH (816g/EACH)

NOTES:

- SEE CURRENT CATALOG FOR ADDITIONAL PART SUFFIXES TO INDICATE PACKAGE QUANTITY.
- THE FIBERRUNNER 4x4 AND 6x4 QUIKLOCK CENTER SUPPORT BRACKET IS USED TO SUPPORT THE FIBERRUNNER 4x4 AND/OR 6x4 CABLE ROUTING SYSTEMS FROM NEW 1/2" (M12) THREADED ROD (NOT INCLUDED).
- THE FIBERRUNNER 4x4 AND 6x4 QUIKLOCK CENTER SUPPORT BRACKET INCLUDES:
ONE (1) BRACKET ASSEMBLY,
TWO (2) 1/2 HELICAL SPRING LOCKWASHERS,
TWO (2) 1/2-13 HEAVY HEX NUTS (FR6CS12 ONLY),
TWO (2) M12x1.75 HEX NUTS (FR6CS12M ONLY).
- FINISH COLOR: BLACK (EXCEPT FOR HARDWARE).
- DIMENSIONS IN PARENTHESES ARE IN METRIC.



TITLE
FIBERRUNNER 4x4 AND 6x4 QUIKLOCK CENTER SUPPORT BRACKET - 1/2" (M12) THREADED ROD (FR6CS12, FR6CS12M)
 CUSTOMER DRAWING

ITEM REVISION NAME
D38022BL/01

DATASET FILE NAME
D38022BL_DC/02B

UNLESS OTHERWISE SPECIFIED, DIMENSIONAL TOLERANCES ARE:
 (.X) ± (.XXX) ±
 (.XX) ± .03 (.8) ANGLES ±

THIRD ANGLE PROJECTION

PANDUIT

MATERIAL:
STEEL

DRAWING NUMBER:
38022-27

REV	DATE	BY	CHK	APR	DESCRIPTION	ECN
02B	11-19-19	MES	FWI	FWI	H. ADDED STAMPING OPTIONAL NOTE G. UPDATED TITLE BLOCK TO LATEST REVISION REMOVED PRIOR REVISIONS	V09002CN/07

REV	DATE	BY	CHK	APR	DESCRIPTION	ECN

D10100DA/20