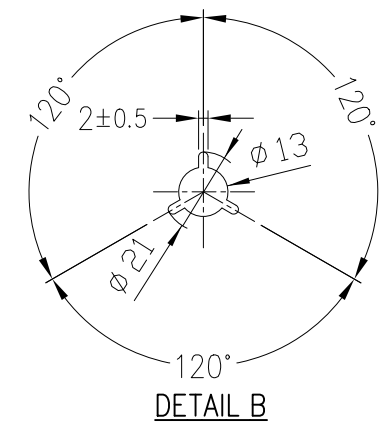
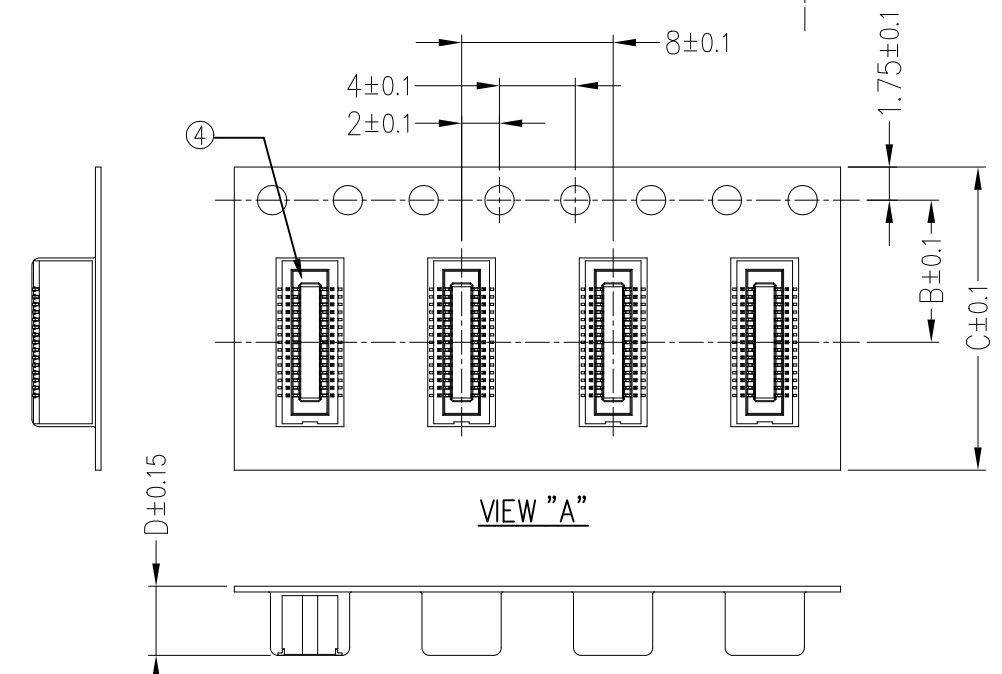
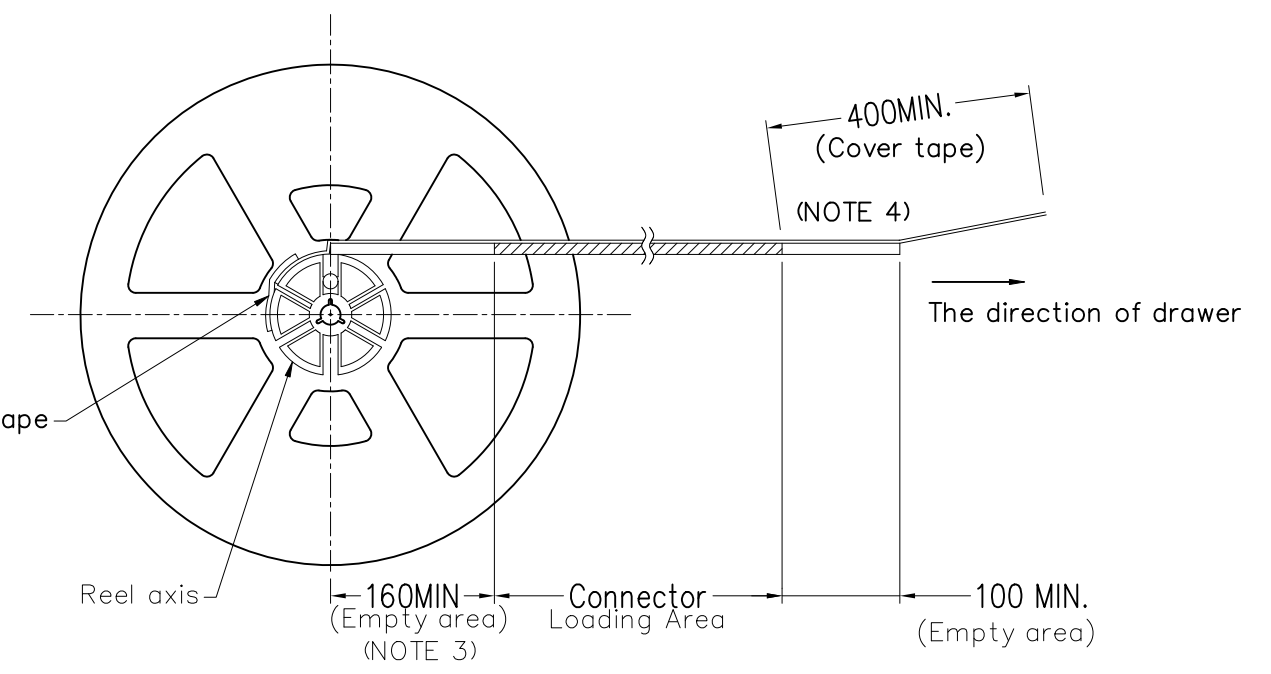
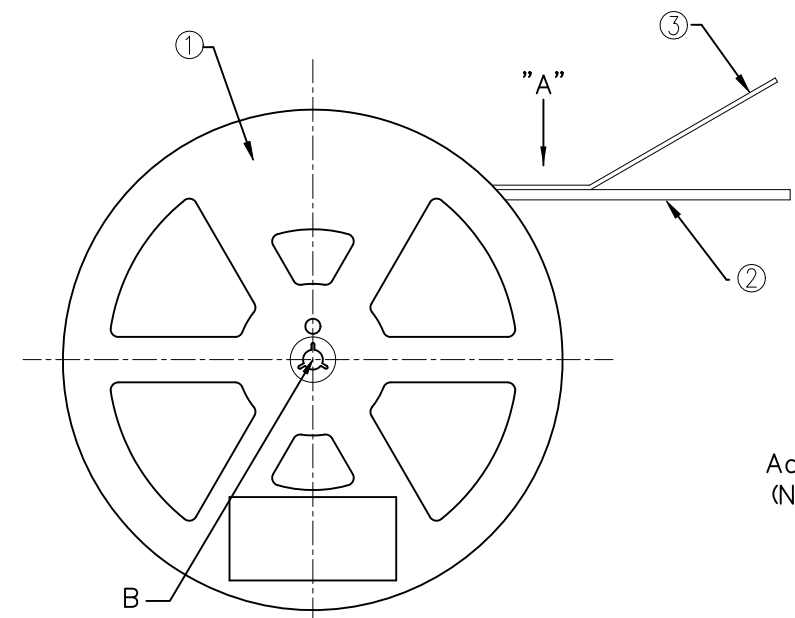
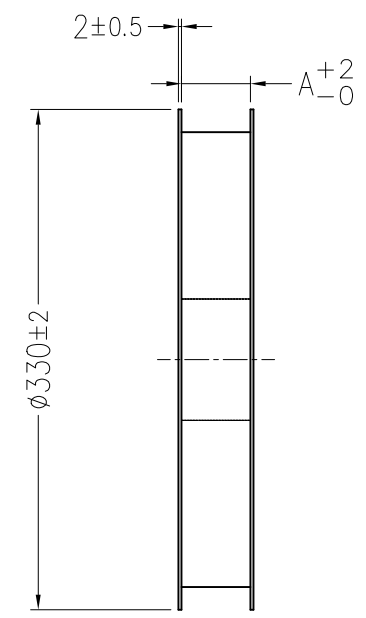


PRODUCT NO.  
10142890-xxxAxEHLF



PRODUCT NUMBER LIST

PRODUCT NUMBER	CONNECTOR P/N	DIMENSIONS			
		A	B	C	D
10142890-030A3EHLF	10142890-030A3HLF	16.5	7.5	16	3.65

PARTS LIST

No.	PARTS NAME	MATERIAL	Q'TY	NOTE
1	REEL	POLYSTYRENE	1	ANTISTATIC
2	EMBOSS TAPE	A-PET	-	ANTISTATIC
3	COVER TAPE	POLYESTER	-	ANTISTATIC
4	CONNECTOR	Sheet 1	2250	SEE ABOVE TABLE

NOTE

- THIS ARTICLE CARRIES OUT THE EMBOSS TAPE PACKAGE OF THE P/N10142890 SERIES CONNECTOR.
- THE SHAPE AND DIMENSIONS OF THIS ARTICLE ARE BASED ON JIS C 0806.  
(TAPING OF ELECTRONIC PARTS (SURFACE MOUNTED DEVICE))
- PRODUCT NUMBER STRUCTURE  
10142890-AAA B C D HLF

HLF : HALOGEN AND LEAD FREE  
PACKAGING OPTION  
E : EMBOSS 8mm PITCH, REEL DIA. ø330, 2250pcs/Reel  
STACK HEIGHT  
3 : 3.5mm  
CONTACT PLATING OPTION  
A : AU FLASH  
NUMBER OF CONTACTS  
030 : 30POS

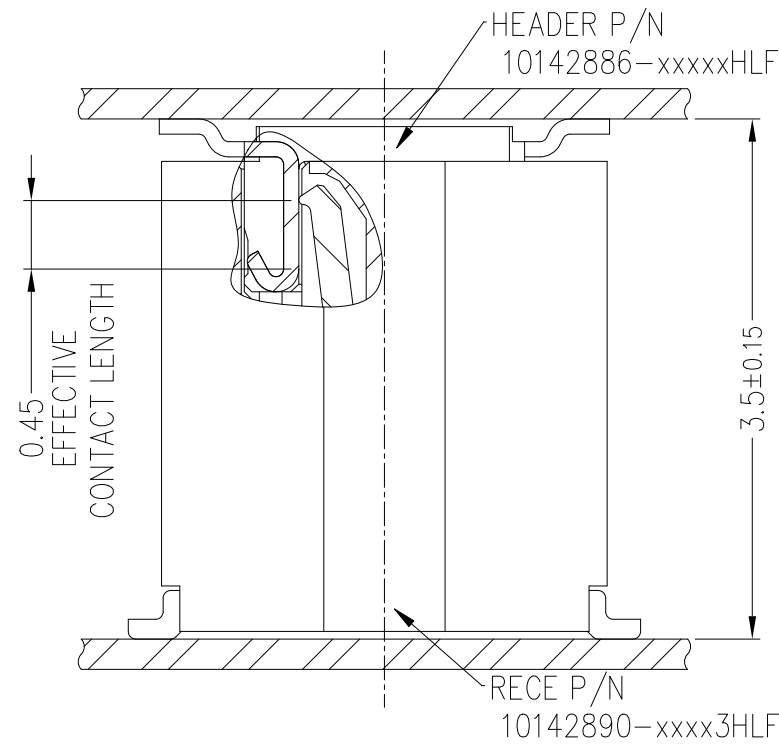
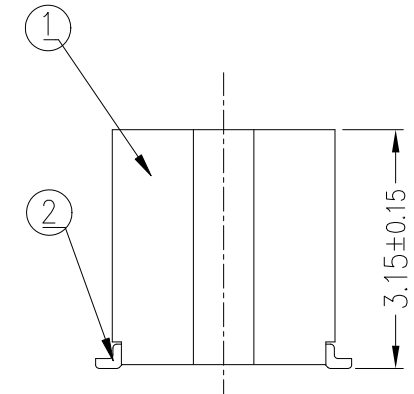
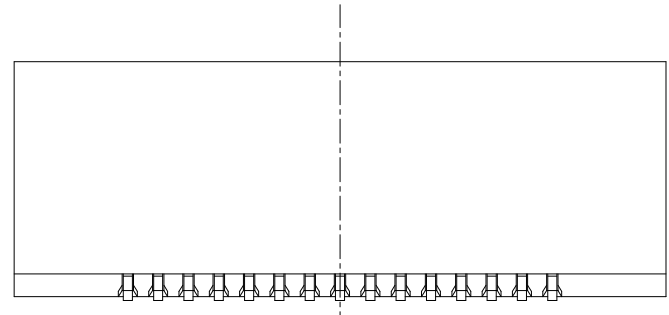
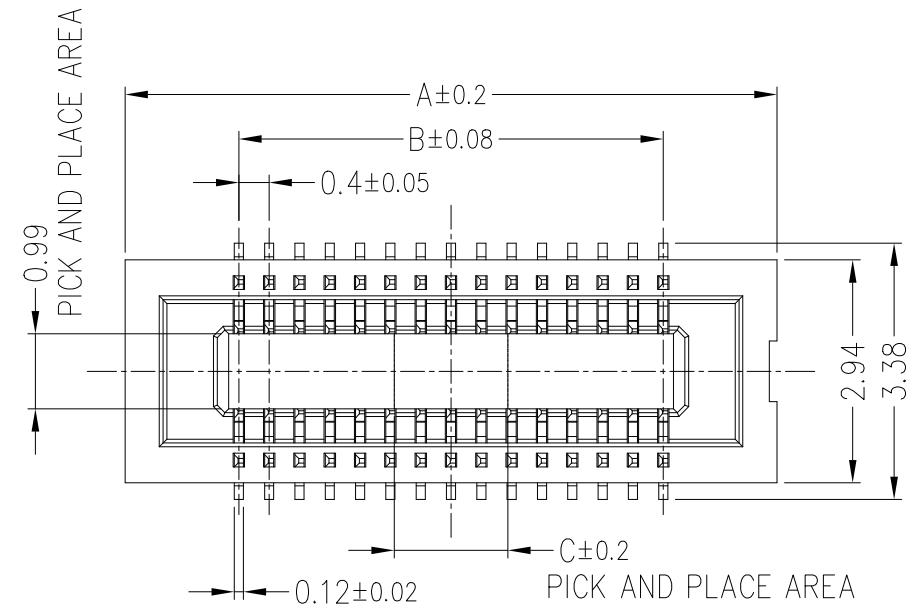
mat'l. code		surface ISO 1302 ✓		tolerance ISO 406 ISO 1101		projection 1101		product family BTB0.4MM Self-Alignment	
Itr		ecn no		dr		date		title	
A		/		Bob		2018-08-05		RECEP ASSY	
B		ELX-N-35266		Bob		2019-10-17		BTB0.4MM Self-Alignment	
C		ELX-N-36170		BOB		2020-03-03		dwg no 10142890	
sheet index		revision sheet		A		B		type Product Customer Drawing	
				1~2		1~2		sheet 1 of 2 size A3	

PRODUCT NO.	STACK HEIGHT
10142890-xxxA3HLF	3.5mm

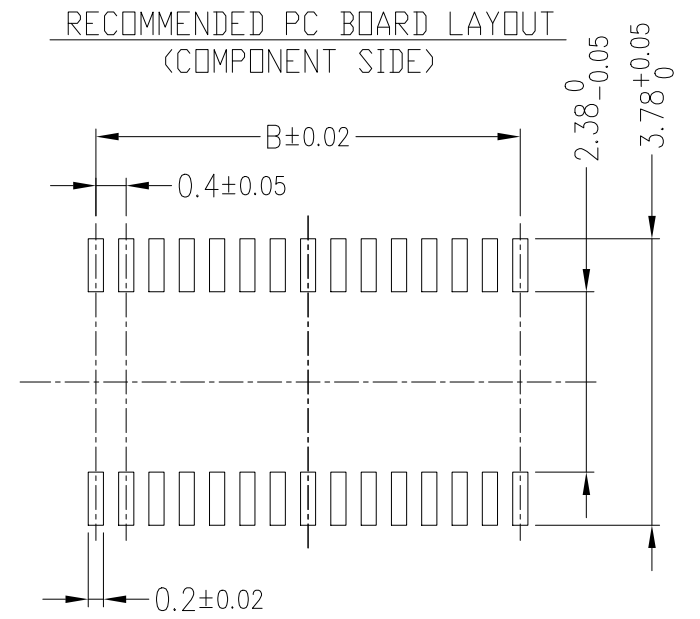
PT. NO.	PARTS NAME	MATERIAL	Q'TY	NOTE
1	HOUSING	LCP	1	COLOR BLACK / UL94V-0
2	CONTACT	PHOSPHOR BRONZE	n	PLATING CONTACT AREA Au 0.05um MIN. SOLDER AREA Au 0.05~0.15um ALL OVER Ni UNDER 3±2um

n : NUMBER OF CONTACTS

PRODUCT NO.	No OF CONTACTS	A	B	C
10142890-030A3HLF	30	8.6	5.6	1.5



X-SECTION FOR MATING



Note

- CO-PLANARITY FOR CONTACT TERMINALS MUST BE 0.1mm MAX.
- THIS PRODUCT MEETS EUROPEAN UNION DIRECTIVES AND OTHER COUNTRY REGULATIONS AS DESCRIBED IN GS-47-0004.
- THE HOUSING WILL WITHSTAND EXPOSURE TO 260°C PEAK TEMPERATURE FOR 10SECONDS IN A REFLOW SOLDERING OVEN.
- RECOMMENDED STENCIL THICKNESS IS 120um.
- RECOMMENDED STENCIL OPENING RATIO IS 80%.
- PRODUCT SPEC : GS-12-1404.
- THE DOCUMENT MAY BE CHANGED WITHOUT PRIOR NOTICE.

mat'l. code		surface ISO 1302 ✓		tolerance ISO 406 ISO 1101		projection 1101		product family BTB0.4MM Self-Alignment	
ltr		ecn no		dr		date		title	
c								RECEP ASSY	
								BTB0.4MM Self-Alignment	
								dwg no 10142890	
								sheet 2 of 2	
								size A3	
								type Product Customer Drawing	