



**Electrical Specifications**

- Pass Band (Low) Nom:** 3 dB C/O <sub>(Crossover)</sub> ≤ 20 MHz
- Pass Band (High) Nom:** 3 dB C/O <sub>(Crossover)</sub> ≤ 20 MHz
- Insertion Loss:** 1.0 dB @ DC-14 MHz (Low)  
1.5 dB @ 26-200 MHz (High)
- VSWR:** 1.50:1 @ DC-14 MHz (Low)  
2.0:1 @ 26-200 MHz (High)
- Stopbands:** 20 dB @ 18 MHz (Low)  
30 dB @ 19 MHz (Low)  
40 dB @ 20 MHz (Low)  
50 dB @ 22.5 MHz (Low)  
60 dB @ 24-100 MHz (Low)
- Amplitude Ripple:** 1 Cycle Max 6-14 MHz (Low)
- Phase Linearity:** ±12.5° Max @ 6-14 MHz (Low)
- Phase Ripple:** 2 Cycles Max 6-14 MHz (Low)

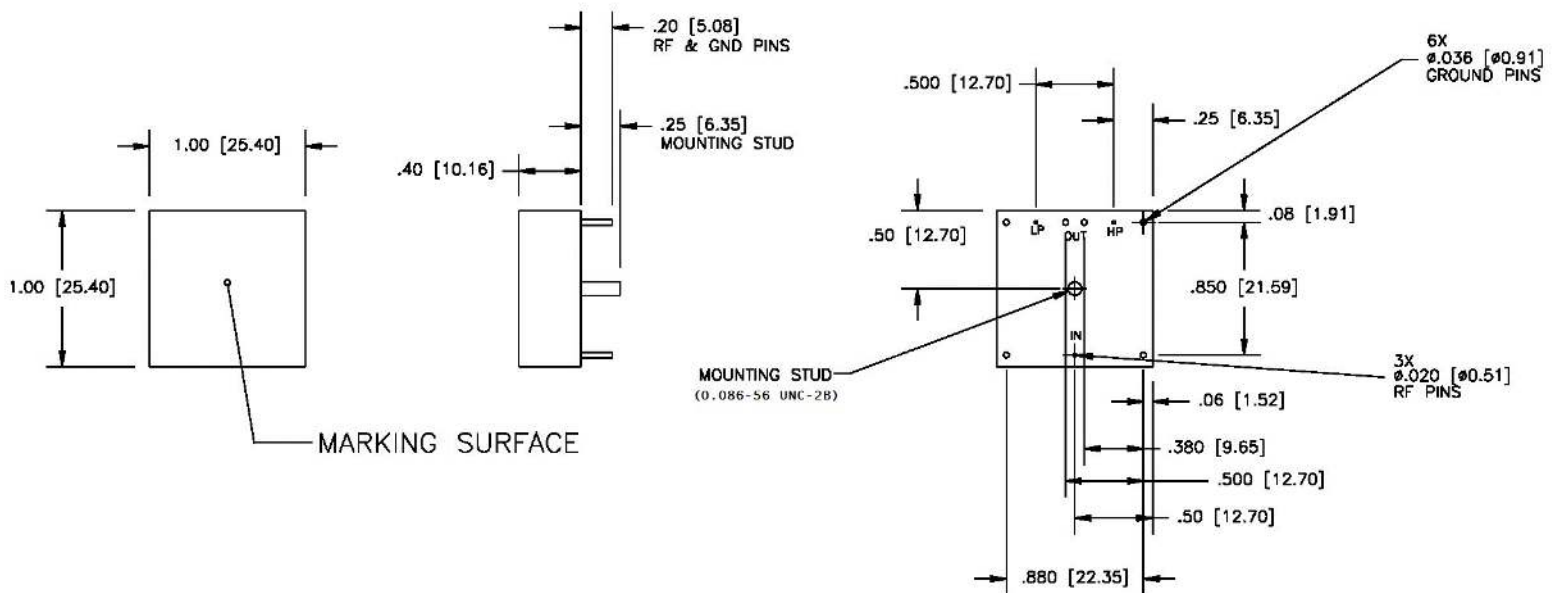
**Mechanical**

- Connector Type:** RF Pins
- Dimensions:** 1.0 x 1.0 x 0.40 Inches

**Environmental**

- Operating Temperature:** -30 to +85° C
- Storage Temperature:** -40 to +95° C
- Shock:** 20 G. 11 ms
- Vibration:** 20 G. 5 to 200 MHz

**Outline Drawing:**



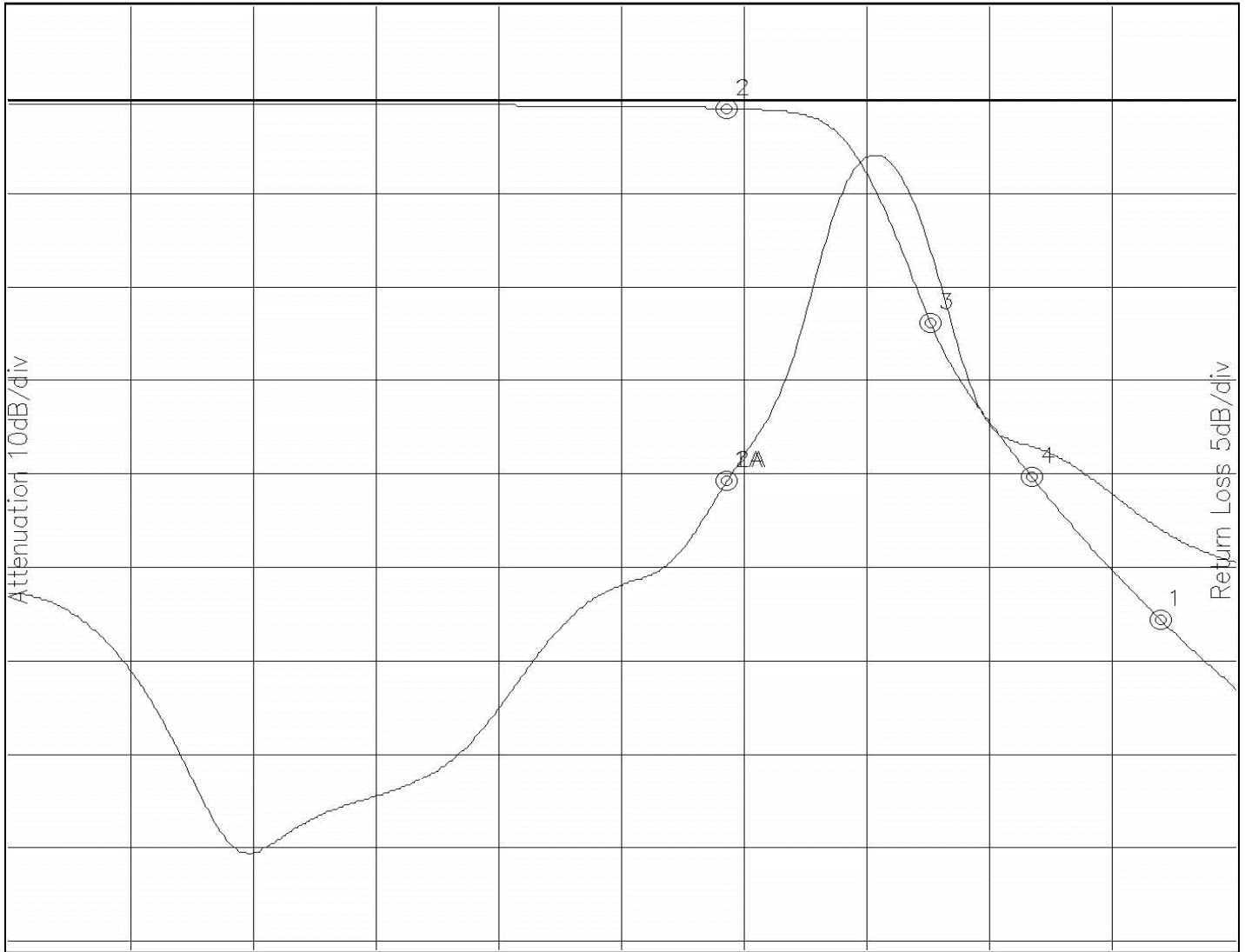


**Response Plot:**

A4/2.lad

JAN 27, 2015

Attenuation/Return Loss



Attenuation Start: 0.002Hz Stop: 24.0MHz

Return Loss Start: 0.002Hz Stop: 24.0MHz

Marker 1 Freq 22.527MHz Atten -55.406dB  
 Marker 2 Freq 14.036MHz Atten -0.823dB  
 Marker 3 Freq 18.029MHz Atten -23.745dB  
 Marker 4 Freq 20.006MHz Atten -40.201dB

Marker 1A Freq 14.036MHz Ret Loss -20.328dB  
 Marker 2A Freq 14.036MHz Ret Loss -20.328dB

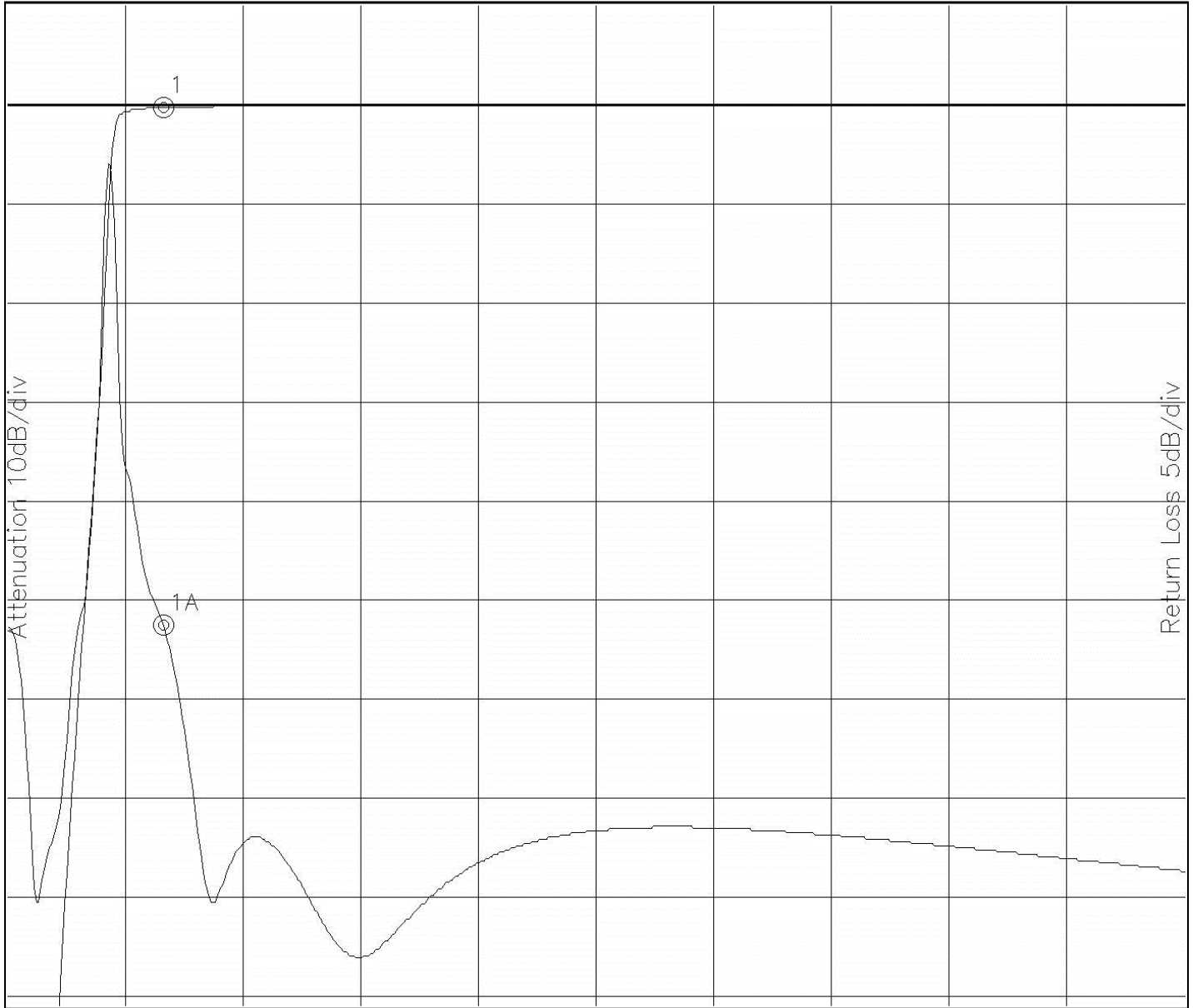


**Response Plot:**

A4/2C.lad

JAN 27, 2015

Attenuation/Return Loss



Attenuation Start: 0.020MHz Stop: 200.0MHz

Return Loss Start: 0.020MHz Stop: 200.0MHz

Marker 1 Freq 26.171MHz Atten -0.227dB

Marker 1A Freq 26.171MHz Ret Loss -26.242dB

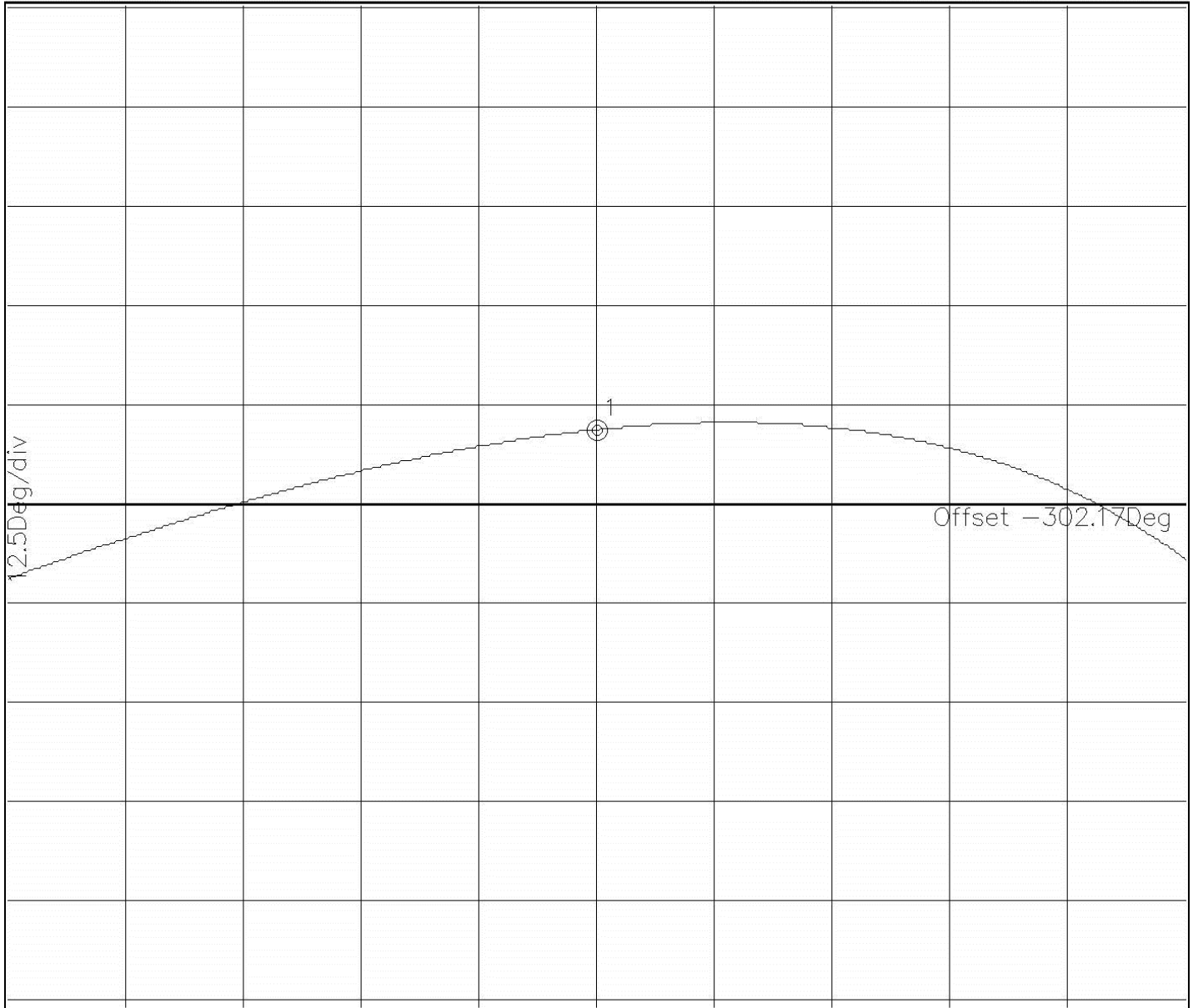


**Response Plot:**

A4/2.lad

JAN 27, 2015

Phase



Phase Start: 6.0MHz Stop: 14.0MHz

Marker 1 Freq 9.994MHz Phase 9.344Deg