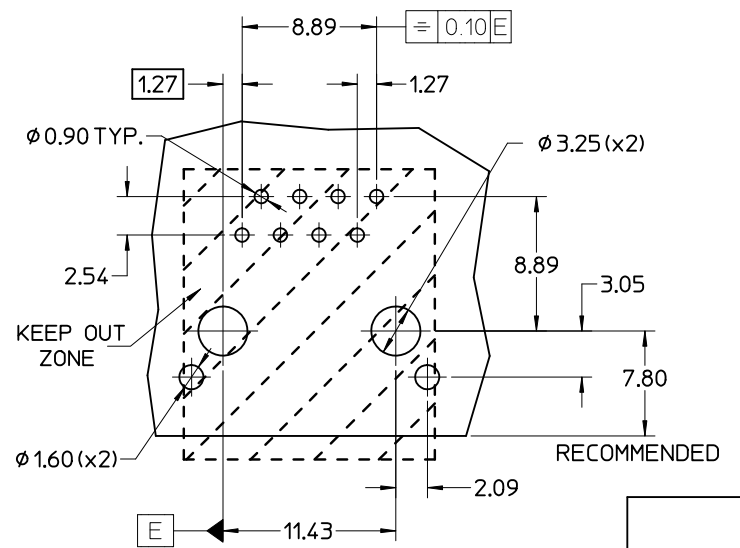
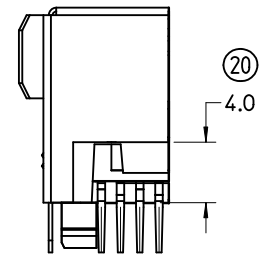
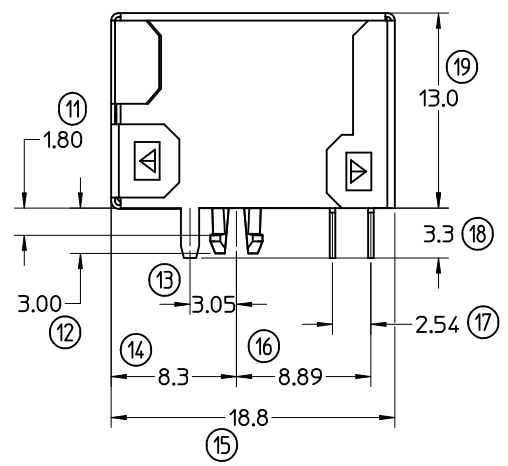
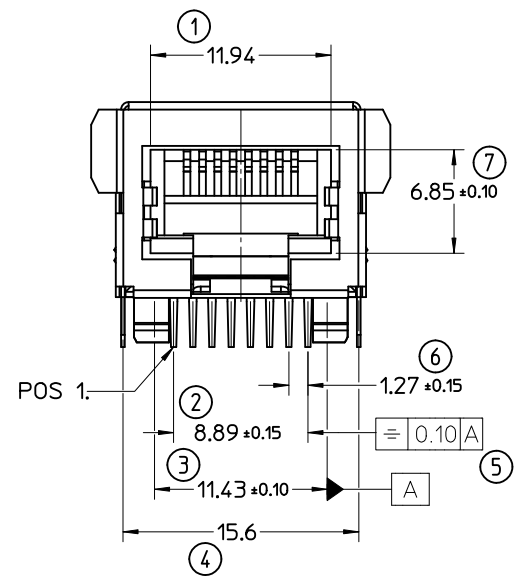
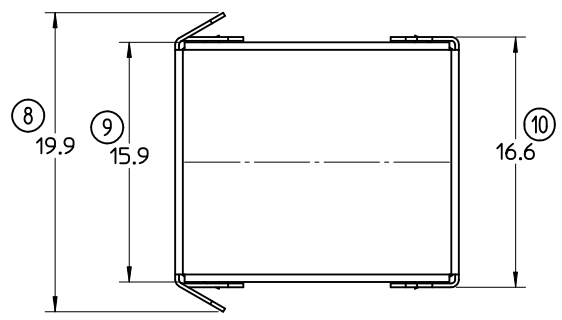


PART No.	
95622-3882	



RECOMMENDED P.C.B LAYOUT  
VIEW FROM COMPONENT SIDE  
ALL DIMENSIONS REF DIMENSIONS



PARTIAL 1  
Scale 3:1

**TECHNICAL SPECIFICATIONS:**

**MATERIAL:**  
HOUSING: LCP GLASS FILLED UL 94V-0, COLOUR BLACK.  
TERMINAL: COPPER ALLOY PLATED WITH:  
BASE FINISH: NICKEL  
CONTACT SURFACE FINISH:  
GOLD  
OR  
GOLD FLASH OVER PALLADIUM NICKEL.  
EXCEEDS PRODUCT REQUIREMENTS BASED ON PS-95622-001  
SHIELD: COPPER ALLOY PLATED WITH TIN

**NOTES:**

- JACK FOR MATING WITH SHIELDED PLUG MOLEX 95043 AND 85568 SERIES.
- PRODUCT SPECIFICATION: MOLEX PS-95622-001.
- P.C.B. THICKNESS: 1.57
- PACKAGING SPECIFICATION: MOLEX PK-95122.

LAST INSPECTION No: 20

REMOVE OPTION EC NO: IPG2012-0746 DRAWN: DBYRNES 2012/04/17 CHKD: APPR: EFOLAN 2012/06/26 REV	QUALITY SYMBOLS	GENERAL TOLERANCES (UNLESS SPECIFIED)	DIMENSION STYLE	SCALE	DESIGN UNITS	THIRD ANGLE PROJECTION	
	▽=0 ∇=0	mm INCH	MM ONLY	3:1	METRIC		
		4 PLACES ± --- ± --- 3 PLACES ± --- ± --- 2 PLACES ± 0.25 ± --- 1 PLACE ± 0.35 ± ---	DRAWN BY DATE D. BYRNES 2006/07/27	TITLE FULLY SHIELDED R/A MODULAR JACK 8 CKTS THROUGH HOLE-VERSION LCP			
		ANGULAR ± 2 °	CHECKED BY DATE EOMAHONY 2006/07/28	MOLEX MOLEX INCORPORATED			
		DRAFT WHERE APPLICABLE MUST REMAIN WITHIN DIMENSIONS	APPROVED BY DATE EOMAHONY 2006/07/28	MATERIAL NO.	DOCUMENT NO.	SHEET NO.	
			SIZE A3	SEE CHART	SD-95622-004	1 OF 1	
			THIS DRAWING CONTAINS INFORMATION THAT IS PROPRIETARY TO MOLEX INCORPORATED AND SHOULD NOT BE USED WITHOUT WRITTEN PERMISSION				