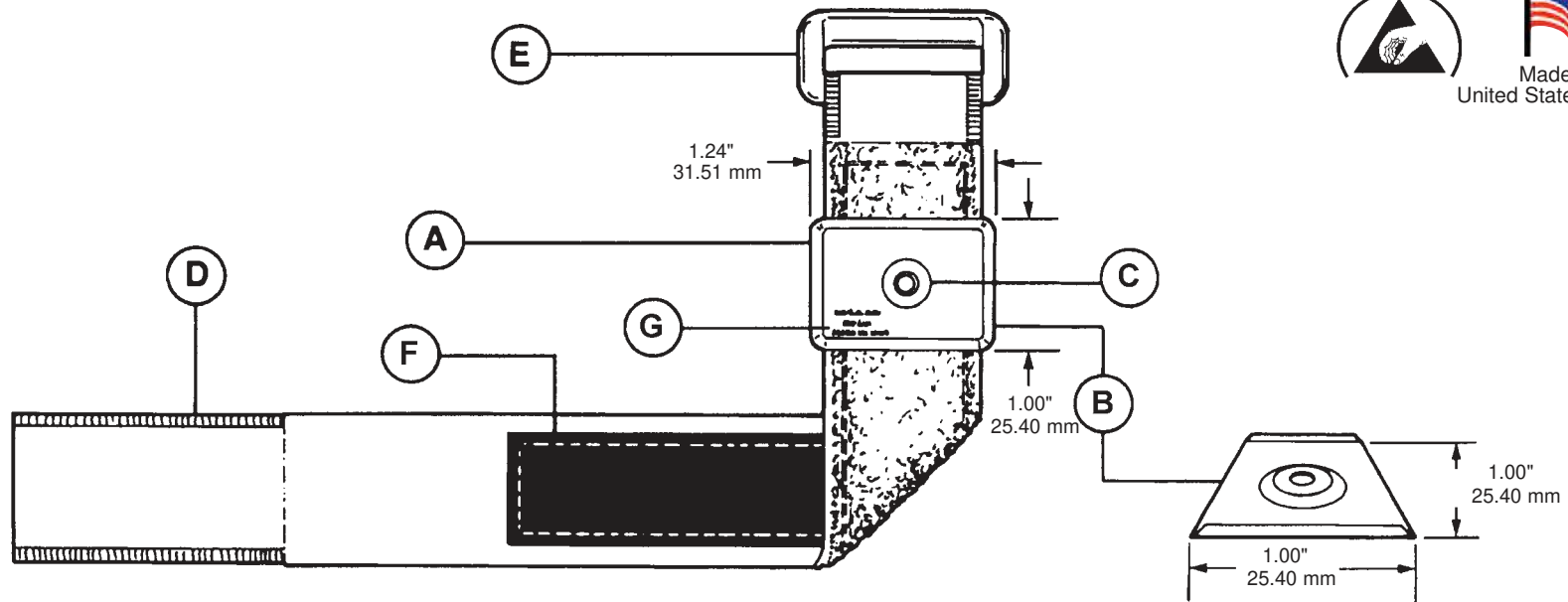




Made in the United States of America



- A. Cap - ABS plastic, black
- B. 300 Series stainless steel back plate is .021" thick. Provides 1.0 sq. in. of skin contact surface.
- C. 4mm snap stud machined from 300 series stainless steel. Fits to 4mm spring loaded medical type socket. Coil cord disengages from snap with 1-5 lbs. of perpendicular force. Durable, providing long life well beyond that of sheet metal snaps.
- D. Nylon, hook fastener is royal blue, 25mm (1.0") wide. 25mm (1.0") nylon royal blue loop fastener material. Functional band circumference 6.50" min. and 10.75" max. assumes all but .50" of hook material is trimmed off to avoid overlapping. No exposed conductive surfaces when worn.
- E. Return loop for quick and easy adjustment.
- F. Sewn in non-reactive, anti-microbial, anti-bacterial medical grade conductive strip common with stainless plate adds 4 sq. in. of skin surface area contact.
- G. Desco, Item # and Made in USA are molded into cap.

Meets or exceeds requirements ANSI/ESD S1.1 and ESD TR53.

ITEM	Description
09060	Wristband only
09078	Wristband with 6 ft. coil cord

Unless otherwise noted, tolerance is $\pm 10\%$
Specifications and procedure subject to change without notice.

WRISTBAND, HOOK AND LOOP, ADJUSTABLE

DESCO

DESCO WEST: 3651 WALNUT AVE., CHINO, CA 91710 WEB SITE: Desco.com
 PHONE (909) 627-8178 FAX (909) 627-7449
 DESCO EAST: ONE COLGATE WAY, CANTON, MA 02021-1407
 PHONE (781) 821-8370 FAX (781) 575-0172

DRAWING NUMBER
09060

DATE:
December
2011