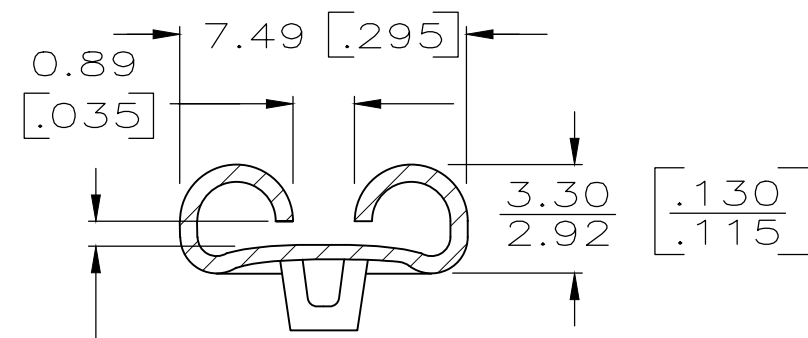
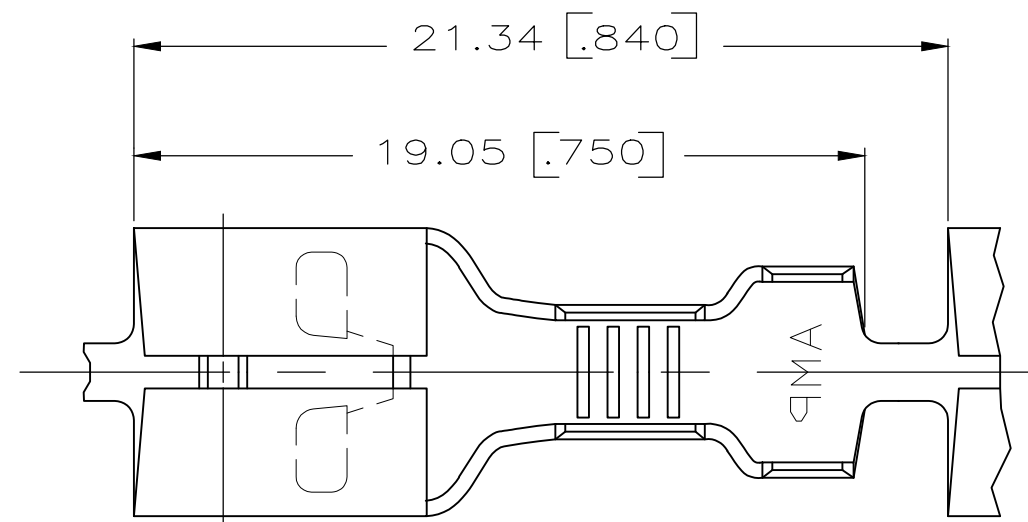


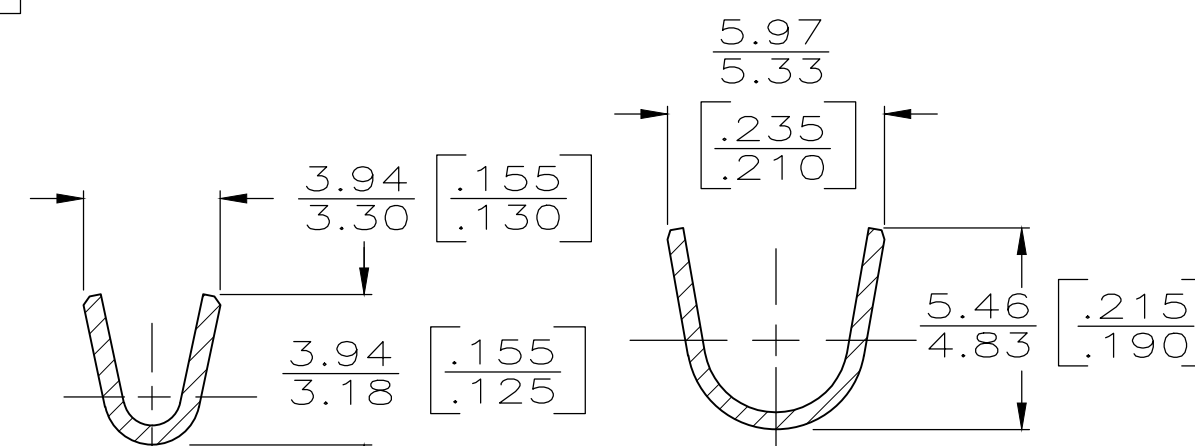
THIS DRAWING IS UNPUBLISHED. RELEASED FOR PUBLICATION
 © COPYRIGHT - By - ALL RIGHTS RESERVED.

| REVISIONS | | | | | |
|-----------|-----|---------------------------|-----------|-----|------|
| P | LTR | DESCRIPTION | DATE | DWN | APVD |
| AP2 | | REVISED PER ECR-20-005366 | 21APR2020 | SS | DL |



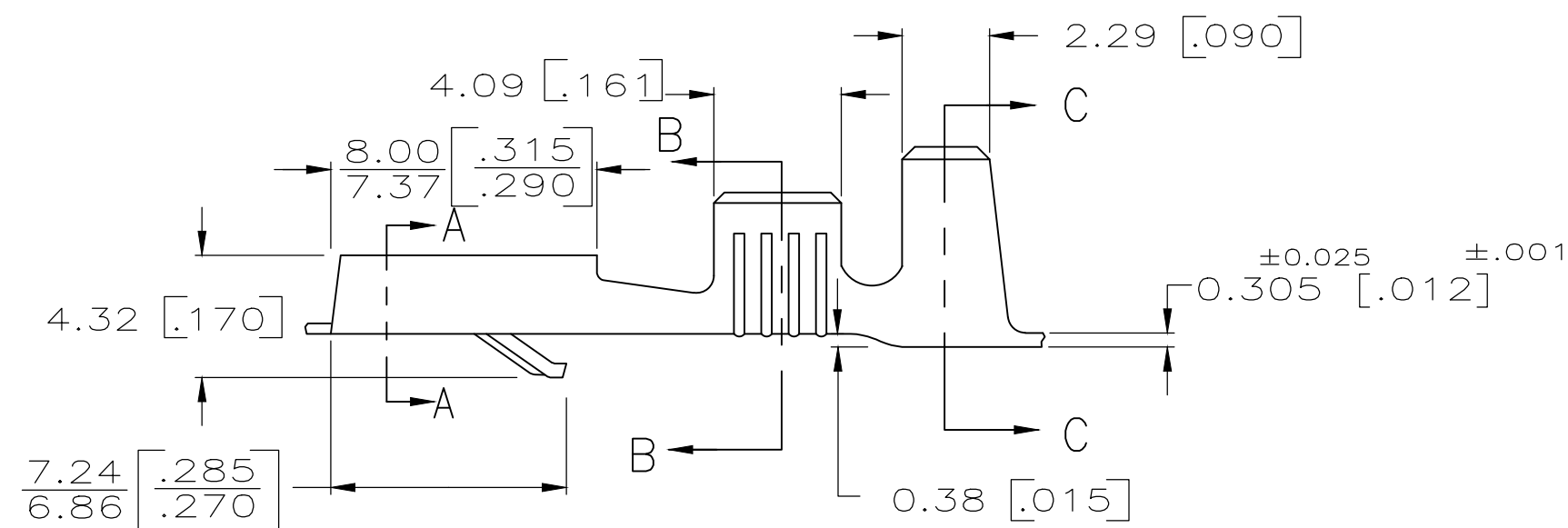
FITS 6.35 [.250] SERIES FASTON TAB

SECTION A-A



SECTION B-B

SECTION C-C



- 1 DIMENSIONS IN BRACKETS ARE IN INCHES.
- 2 CONTINUOUS STRIP ON REELS.
- 3 FOR FOREIGN PRODUCTION ONLY.
- 4 NO RIB IN LOCKING LANCE.
- 5 NO STRESS RELIEVING
- 6 REELED WITH INTERLEAVING PAPER
- 8 OBSOLETE PARTS: OBSOLETE CIS STREAMLINING PER D.RENAUD/D.SINISI
- 9 SAME AS 42100-9 BUT REVERSE REELED.

| FINISH | MATERIAL | INSULATION RANGE | WIRE SIZE | TAB THK | PART NO | |
|-------------|----------|------------------------------|--|--------------------------------|-----------|---------|
| TIN | BRASS | 2.54 - 4.32 [.100 - .170] | 0.8 - 2.0 mm ² [18 - 14] | ±0.025 0.81 [.032 ±.001] | 1-42100-9 | |
| TIN | BRASS | | | | 42100-9 | |
| TIN | BRASS | | | | 2-42100-2 | |
| TIN | BRASS | | | | 2-42100-1 | |
| TIN | BRASS | | | | 1-42100-2 | |
| TIN | BRASS | | | | 1-42100-1 | |
| SILVER | BRASS | | | | 42100-3 | |
| TIN | BRASS | | | | 42100-2 | |
| BRASS | BRASS | 42100-1 | | | | |
| LOOSE PIECE | FINISH | MATERIAL | INSULATION RANGE | WIRE SIZE | TAB THK | PART NO |

| | | | | | |
|---|-----------|--------------|-----------|---------------|----------|
| THIS DRAWING IS A CONTROLLED DOCUMENT. | | DWN | JR RUTH | 2/5/88 | |
| DIMENSIONS: INCHES | | CHK | MS FEHER | 2/5/88 | |
| TOLERANCES UNLESS OTHERWISE SPECIFIED: | | APVD | C MEYERS | 2/8/88 | |
| 0 PLC ± - 1 PLC ± - 2 PLC ± - 3 PLC ± 0.25 [.010] 4 PLC ± - ANGLES ± - | | PRODUCT SPEC | NAME | | |
| MATERIAL | SEE ABOVE | FINISH | SEE ABOVE | WEIGHT | 0.000000 |
| CUSTOMER DRAWING | | SCALE | 5:1 | SHEET | 1 OF 1 |
| | | REV | AP2 | RESTRICTED TO | |