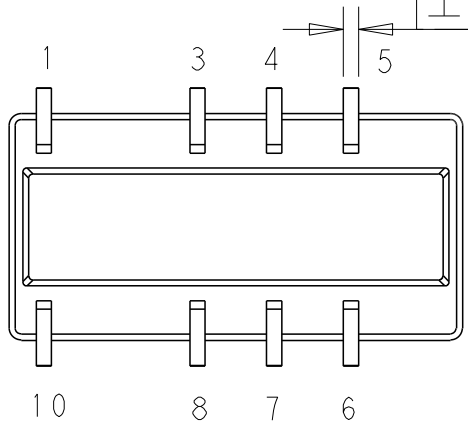
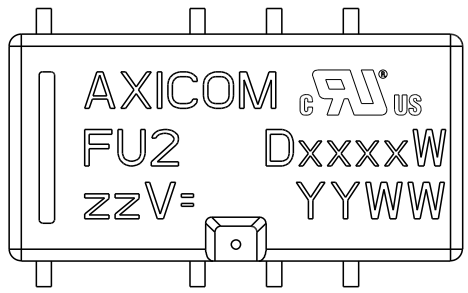
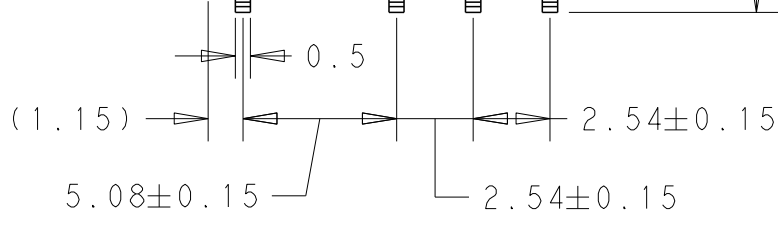
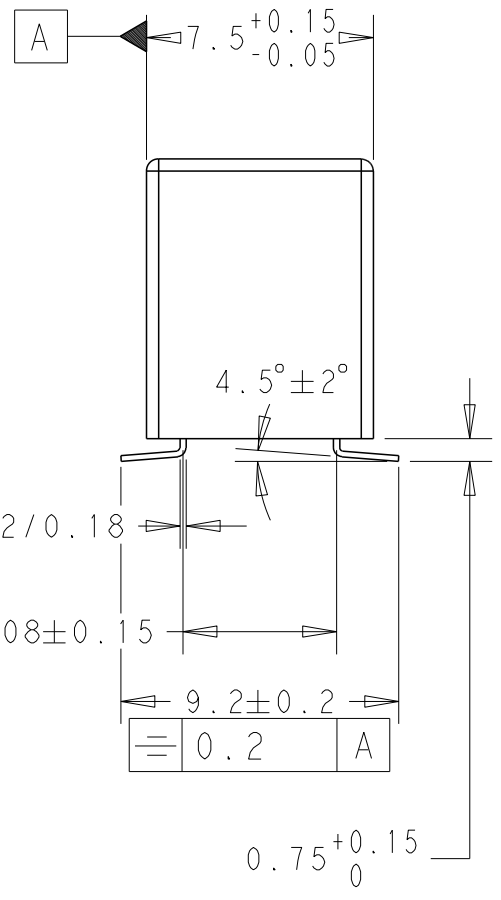
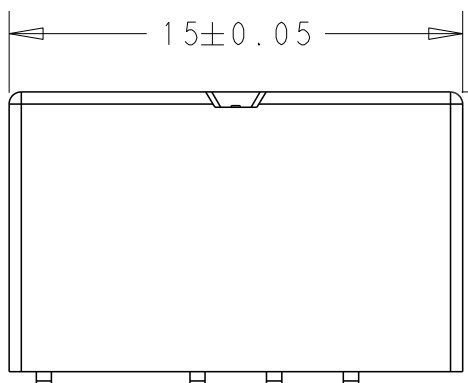


USED ON FU2 SMT long term.

⊥ 0.2 ST A



Relay - bottom view




Coplanarity < 0.100 mm

xxxx = Relay Type
zz = Nominal Voltage
YYWW = Date Code

DWG NO 1462036-2

AND AFFILIATES (TE). IT MAY NOT BE DISCLOSED TO ANYONE, OTHER THAN TE PERSONNEL, WITHOUT AUTHORIZATION FROM TE (www.TE.com).

A7	ECR-15-000926	20.1.15	VG	PH	DWN	26-Mar-98	CHK	26-Mar-98	APVD	26-Mar-98	
A6	ECR-11-015637	17.7.13	MV	PH	CW	9196	EG	9192	HD	9121	
A5	ECO-11-005150	21.3.11	RK	HMR	DIMENSIONS: mm			MATERIAL - HT TR -			
					TOLERANCES UNLESS OTHERWISE SPECIFIED:			 TE Connectivity NAME FU2-W Relay Dimensional Drawing			
					0 PLC ±- 1 PLC ±0.1 2 PLC ±0.01 3 PLC ±0.005 4 PLC ±0.0001 ANGLES ±-						
LTR	REVISION RECORD	DATE	DWN	APVD	SURFACE TEXTURE						
THIS DRAWING IS A CONTROLLED DOCUMENT.					SCALE	SIZE/FMT	DRAWING NO			SHEET	REV
					4:1	A4	C - 1462036-2			1 OF 1	A7