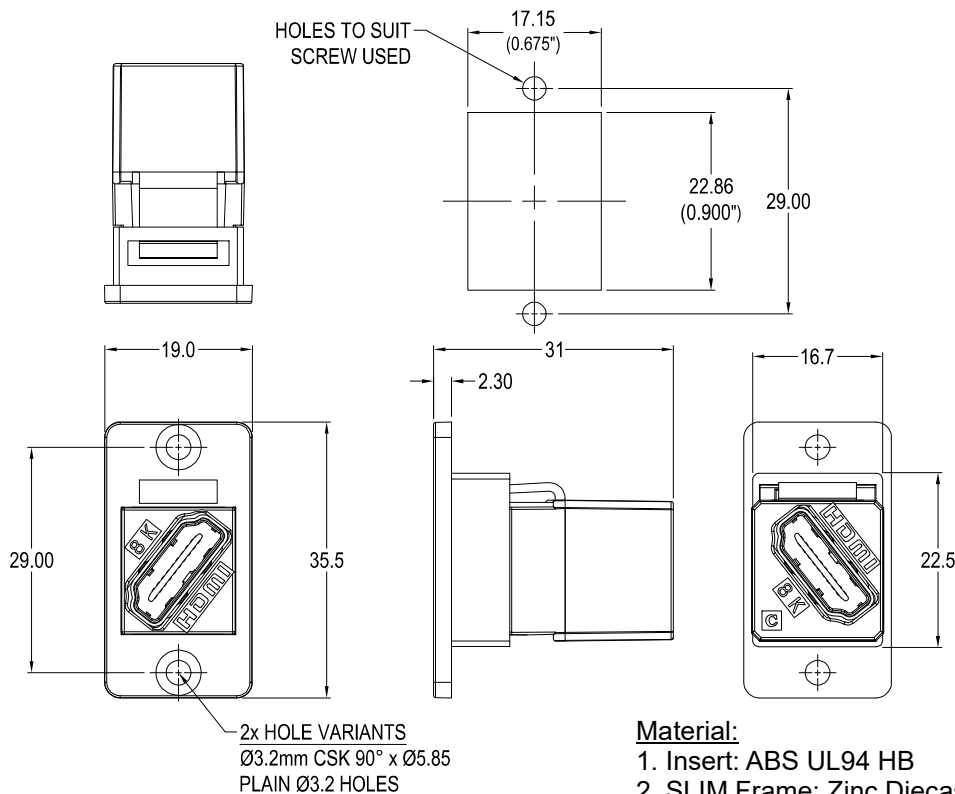


# CLIFF

## SLIM 8K HDMI FEMALE - FEMALE FRONT MOUNTING METAL FRAME FEEDTHROUGH



### Part No.

- CP30688M** SLIM FM 8K HDMI F-F Nickel frame, CSK holes  
**CP30688MB** SLIM FM 8K HDMI F-F Black metal frame, CSK holes  
**CP30688MX1** SLIM FM 8K HDMI F-F Nickel frame, Ø3.2 PLAIN holes  
**CP30688MBX1** SLIM FM 8K HDMI F-F Black metal frame, Ø3.2 PLAIN holes

### Feedthrough Features

- Fits standard rectangular cutout.
- Various hole mounting options.
- No soldering or punch termination. Use standard cable for each connector style.
- Low rear profile.

### General:

Please note: Functionality is affected by cable quality, length and cable wiring configuration.  
8K equipment and cables required to achieve 8K resolutions.

### Material:

1. Insert: ABS UL94 HB
2. SLIM Frame: Zinc Diecast, Ni or Black plated
3. Shell: Gold plated
4. Contacts: Gold Plated

### Specification:

1. Shielded HDMI 2.1 F-F
2. Voltage Rating: 40V ac
3. Current Rating: 0.5A max
4. Contact Resistance: 10mΩ max
5. Insulation Resistance: 100MΩ min
6. Dielectric Withstanding Voltage: 500V AC
7. Operating Temperature: -25°C to 85°C

### HDMI Specification

1. Version: Shielded HDMI 2.1
2. Supported Video resolution: 7680 x 4320 60Hz
3. HDR Support : Yes
4. HDCP Specification: 1.4; 2.2
5. Chroma Sub Sampling: 4:4:4