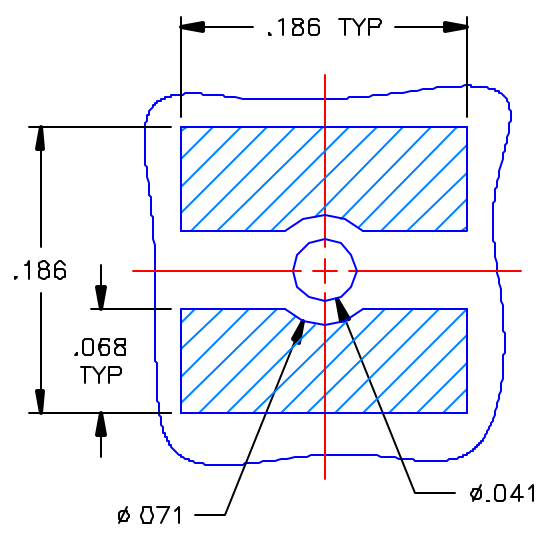
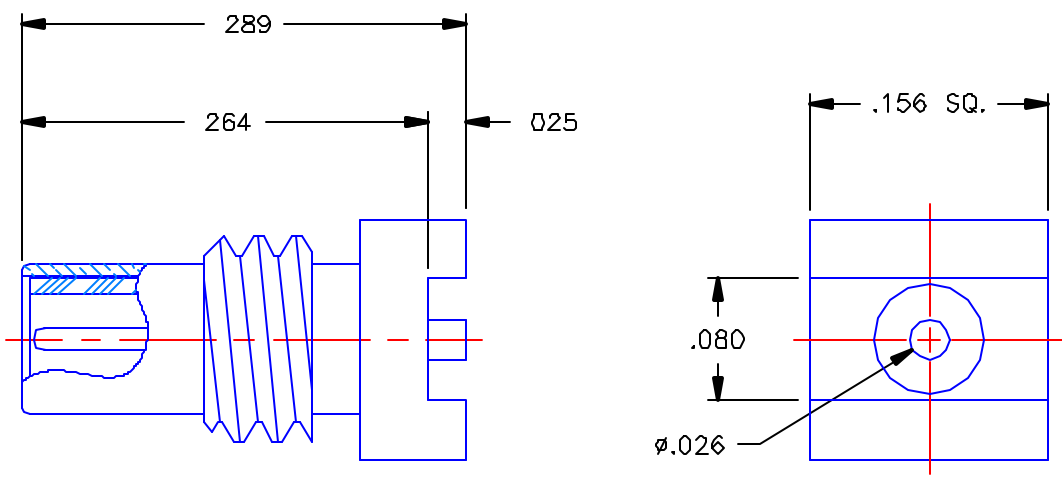


REVISIONS			
REV	DESCRIPTION	DATE	APPROVED
-	INITIAL RELEASE	03/16/01	D.N.



PROPRIETARY INFORMATION
NOT TO BE RELEASED
WITHOUT WRITTEN PERMISSION
FROM AN AUTHORIZED
REPRESENTATIVE OF
APPLIED ENGINEERING PRODUCTS

NOTES:


MATERIALS:

MOUNTING PATTERN

1. BODY = BRASS PER ASTM B16, ALLOY C36000, TEMPER H02.
2. INSULATOR = VIRGIN WHITE TEFLON PER ASTM D1710, GRADE 1, TYPE I, CLASS "A".
3. CONTACT = BERYLLIUM COPPER PER ASTM B196, ALLOY C17300, TEMPER T004.

FINISHES:

1. BODY = GOLD PLATE PER MIL-G-45204, TYPE II, CLASS 0, GRADE C, OVER .00010 TO .00020 COPPER STRIKE PER MIL-C-14550.
2. CONTACT = GOLD PLATE PER MIL-G-45204, TYPE II, CLASS 1, GRADE C, OVER .00010 TO .00020 STRESS FREE SULFAMATE NICKEL PER QQ-N-290.

UNLESS OTHERWISE SPECIFIED DIMENSIONS ARE IN INCHES TOLERANCES ON		DWN: D.N.	DATE: 03/16/01	 APPLIED ENGINEERING PRODUCTS 104 John W. Murphy Dr New Haven, CT 06513
		CHKD: A.M.	DATE: 03/16/01	
DECIMAL	ANGLE	APVD: D.J.C.	DATE: 03/16/01	SSMC STRAIGHT MALE JACK SURFACE MOUNT RECEPTACLE
REFERENCE:	MATERIALS & FINISHES:	SIZE: A	FSCM NO.: 19505	
ORIGINATOR: D N DATE: 03/16/01		SEE NOTES		REV: -
		SCALE: 8:1		SHEET 1 OF 1

7009-1511-004