

C220X

Feed through connector



Agency information
Environmental compliance



Ordering part number

	C220x
Family name _____	
Code _____	

Product features

- 1000 Vac/Vdc, 200/250 A rating
- Flammability: UL94 V-0
- Materials: Black or Red thermoplastic with bright tin-plated brass studs, SUS304 nuts
- Temperature rating: +120 °C
- Termination and torque rating:
5/16" - 18 UNC-2A, 100 in-lb (11.3 N-m)
3/8" - 16 UNC-2A, 200 in-lb (22.6 N-m)

Packaging

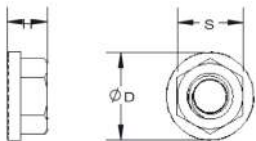
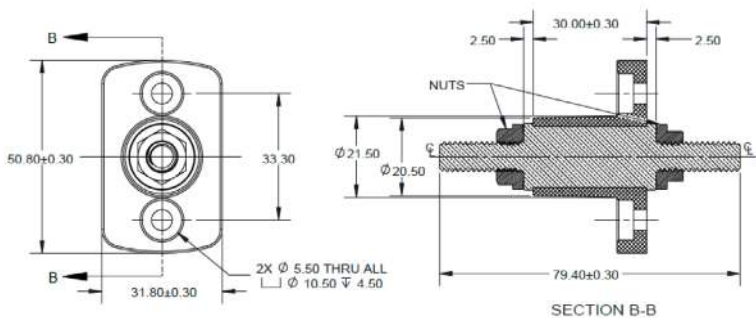
- C2201: 10 pcs per inner box, 40 pcs per carton
- C2202: 10 pcs per inner box, 40 pcs per carton
- C2203: 10 pcs per inner box, 40 pcs per carton
- C2204: 10 pcs per inner box, 40 pcs per carton
- C220X-5-16-NUT: 100 pcs per polybag
- C220X-3-8-NUT: 100 pcs per polybag

Specifications

Part number	Voltage rating* (V)	Current rating (A)	Stud size	Maximum torque	Nut size	Material	Color (Pantone #; for reference only)
C2201	1000	200	5/16" - 18 UNC-2A	100 in-lb	5/16" - 18 UNC-2B	Thermoplastic/ Tin-plated Brass/ SUS304 Nut	Black (PQ-BLACKC)
C2202	1000	200	5/16" - 18 UNC-2A	100 in-lb	5/16" - 18 UNC-2B	Thermoplastic/ Tin-plated Brass/ SUS304 Nut	Red (PQ-187)
C2203	1000	250	3/8" - 16 UNC-2A	200 in-lb	3/8" - 16 UNC-2B	Thermoplastic/ Tin-plated Brass/ SUS304 Nut	Black (PQ-BLACKC)
C2204	1000	250	3/8" - 16 UNC-2A	200 in-lb	3/8" - 16 UNC-2B	Thermoplastic/ Tin-plated Brass/ SUS304 Nut	Red (PQ-187)
C220X-5-16-NUT	N/A	N/A	N/A	N/A	5/16" - 18 UNC-2B	SUS304 Nut	N/A
C220X-3-8-NUT	N/A	N/A	N/A	N/A	3/8" - 16 UNC-2B	SUS304 Nut	N/A

*Self-certified voltage withstanding between terminal and body under 4000 V, 1 min, no breakdown

Dimensions- mm



FG P/N	Dim H (mm)	Dim D (mm)	Dim S (mm)	Thread size
C220X-5-16-NUT	6.80 ~ 7.19	16.76 ~ 17.28	12.42 ~ 12.70	5/16" - 18 UNC-2B
C220X-3-8-NUT	8.45 ~ 8.81	18.49 ~ 19.05	13.99 ~ 14.28	3/8" - 16 UNC-2B

Life Support Policy: Eaton does not authorize the use of any of its products for use in life support devices or systems without the express written approval of an officer of the Company. Life support systems are devices which support or sustain life, and whose failure to perform, when properly used in accordance with instructions for use provided in the labeling, can be reasonably expected to result in significant injury to the user.

Eaton reserves the right, without notice, to change design or construction of any products and to discontinue or limit distribution of any products. Eaton also reserves the right to change or update, without notice, any technical information contained in this bulletin.

Eaton
Electronics Division
1000 Eaton Boulevard
Cleveland, OH 44122
United States
Eaton.com/electronics

© 2022 Eaton
All Rights Reserved
Printed in USA
Publication No. ELX1238 BU-ELX22100
October 2022

Eaton is a registered trademark.
All other trademarks are property of their respective owners.

Follow us on social media to get the latest product and support information.

